

6

5

4

3

2

1

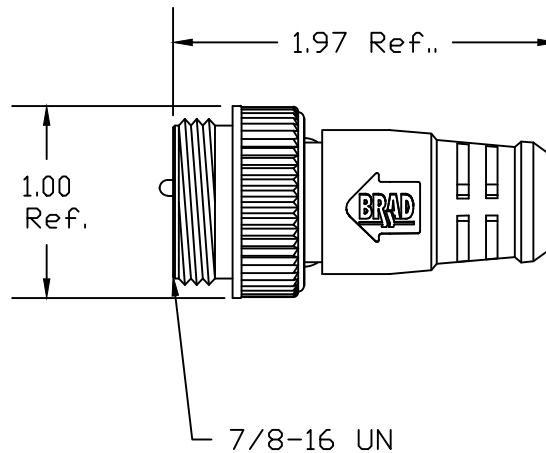
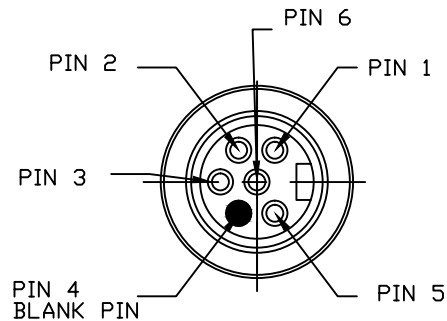
MATERIAL NUMBER

OLD PART NUMBER

130039-0359

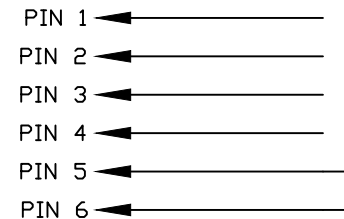
41437-002

FACE VIEW-MALE INSERT



CONTACT:	GOLD/NICKEL OVER COPPER ALLOY
INSERT:	PVC, YELLOW
COUPLING NUT:	ZINC DIE CAST, BLACK E-COATED
MOLDED BODY:	RITFLEX, BLACK

ELECTRICAL SCHEMATIC



INITIAL RELEASE EC NO: IFC2013-1910 DRWN: EBRACKEN 2013/06/20 CHKD: RSTONE APPR: BWOODMAN 2013/08/14	DESCRIPTION REV	QUALITY SYMBOLS ▽=0 ▽C=0	GENERAL TOLERANCES (UNLESS SPECIFIED)		DIMENSION STYLE IN/MM		SCALE ---	DESIGN UNITS INCH	THIRD ANGLE PROJECTION		
				mm	INCH	DRAWN BY EBRACKEN	DATE 2013/06/18	TITLE MINI-CHANGE 6 POLE MALE SPCL SHORTING PLUG PIN 5 AND 6 JUMPERED			
			4 PLACES	±---	±---	CHECKED BY RSTONE	DATE ---	MATERIAL NO. SEE CHART			
			3 PLACES	±---	±.005	APPROVED BY BWOODMAN		DATE 2013/08/14	DOCUMENT NO. SD-130039-040		
			2 PLACES	±0.13	±.010	MATERIAL NO. SEE CHART		DOCUMENT NO. SD-130039-040		SHEET NO. 1 OF 1	
			1 PLACE	±0.25	±.020	MATERIAL NO. SEE CHART		DOCUMENT NO. SD-130039-040		SHEET NO. 1 OF 1	
DRAFT WHERE APPLICABLE MUST REMAIN WITHIN DIMENSIONS			ANGULAR ±.5°		SIZE A		THIS DRAWING CONTAINS INFORMATION THAT IS PROPRIETARY TO MOLEX INCORPORATED AND SHOULD NOT BE USED WITHOUT WRITTEN PERMISSION				

6

5

4

3

2

1

E

E

D

D

C

C

B

B

A

A