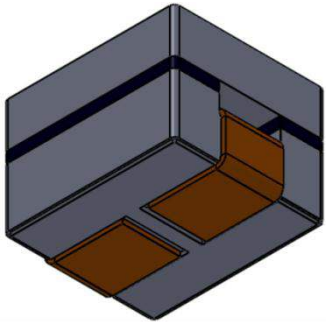




## Preliminary Datasheet for High Efficiency, High Current Inductor



### Description

The PI60 is high performance Ferrite core inductor designed to maintain low losses at high AC flux and high switching frequency. This inductor is specifically designed for use with Picor Cool-Power ZVS Regulators.

### Features

- High ripple current, >80A<sub>peak</sub>
- High frequency, 2MHz
- Low DC resistance, 500μΩ max.
- -55°C to 125°C operating range (T<sub>j</sub>)

### Applications

- For use with Picor Cool-Power regulators

### Package Information

- 8.1x9.7x6.4mm flat package, surface mount

Electrical Characteristics at 25°C			
Part Number	Nominal Inductance at 1MHz/1V <sub>rms</sub> ±10%	Peak Current, <3% Roll Off	DC Resistance Max
	[nH]	[A]	[mΩ]
PI60-02-FPIZ	80	90	0.5
PI60-04-FPIZ	125	55	0.5
PI60-05-FPIZ	150	40	0.5

This is a preliminary datasheet. The information provided is from simulation, bench performance, test, and desired operation. All of the information within this datasheet is subject to change.

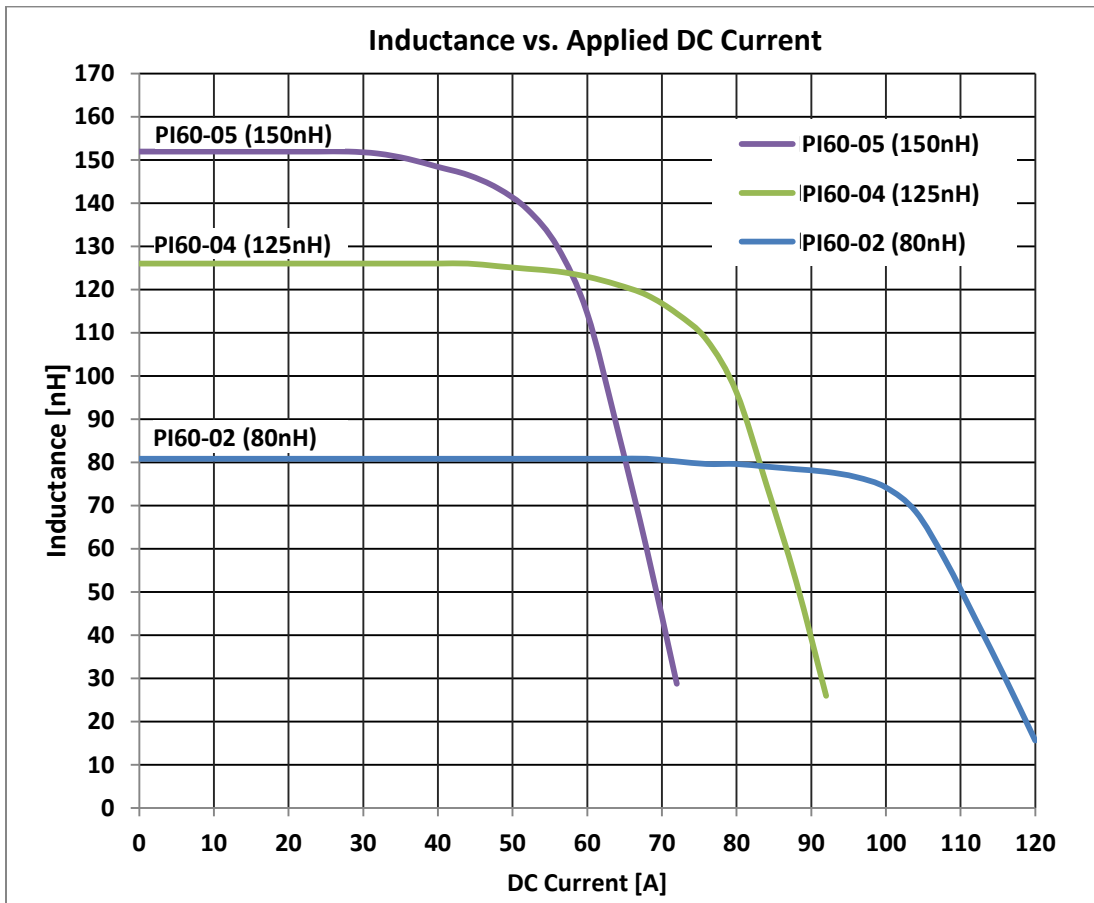
**Order Information**

Part Number	Nominal Inductance (nH) at 1MHz/1Vrms	Package	Transport Media	QTY
PI60-02-FPIZ	80	8.1x9.7x6.4mm flat package, surface mount	13" Tape&Reel	1,400
PI60-04-FPIZ	125	8.1x9.7x6.4mm flat package, surface mount	13" Tape&Reel	1,400
PI60-05-FPIZ	150	8.1x9.7x6.4mm flat package, surface mount	13" Tape&Reel	1,400

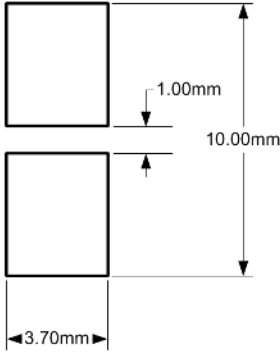
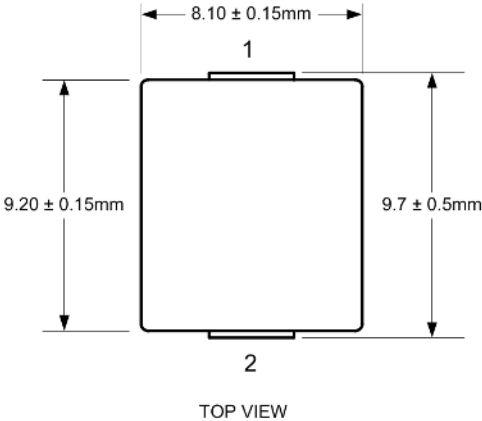
**Thermal, Storage, and Handling Information**

Storage Temperature	-65°C to 150°C
Operating Junction Temperature	-55°C to 125°C
Soldering reflow temperature	J-STD-020D compliant

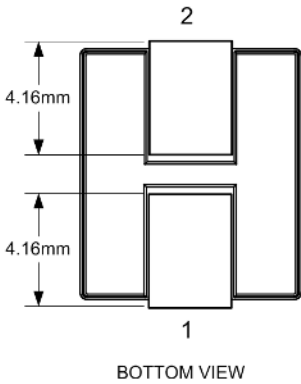
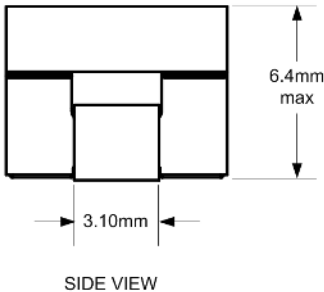
**Electrical Characteristics**



Mechanical Package Drawings



RECOMMENDED PCB LAYOUT  
TOLLERANCES ARE ± 0.08mm



## Warranty

Information furnished by Vicor is believed to be accurate and reliable. However, no responsibility is assumed by Vicor for its use. Vicor makes no representations or warranties with respect to the accuracy or completeness of the contents of this publication. Vicor reserves the right to make changes to any products, specifications, and product descriptions at any time without notice. Information published by Vicor has been checked and is believed to be accurate at the time it was printed; however, Vicor assumes no responsibility for inaccuracies. Testing and other quality controls are used to the extent Vicor deems necessary to support Vicor's product warranty. Except where mandated by government requirements, testing of all parameters of each product is not necessarily performed.

Specifications are subject to change without notice.

### Vicor's Standard Terms and Conditions

All sales are subject to Vicor's Standard Terms and Conditions of Sale, which are available on Vicor's webpage or upon request.

### Product Warranty

In Vicor's standard terms and conditions of sale, Vicor warrants that its products are free from non-conformity to its Standard Specifications (the "Express Limited Warranty"). This warranty is extended only to the original Buyer for the period expiring two (2) years after the date of shipment and is not transferable.

UNLESS OTHERWISE EXPRESSLY STATED IN A WRITTEN SALES AGREEMENT SIGNED BY A DULY AUTHORIZED VICOR SIGNATORY, VICOR DISCLAIMS ALL REPRESENTATIONS, LIABILITIES, AND WARRANTIES OF ANY KIND (WHETHER ARISING BY IMPLICATION OR BY OPERATION OF LAW) WITH RESPECT TO THE PRODUCTS, INCLUDING, WITHOUT LIMITATION, ANY WARRANTIES OR REPRESENTATIONS AS TO MERCHANTABILITY, FITNESS FOR PARTICULAR PURPOSE, INFRINGEMENT OF ANY PATENT, COPYRIGHT, OR OTHER INTELLECTUAL PROPERTY RIGHT, OR ANY OTHER MATTER.

This warranty does not extend to products subjected to misuse, accident, or improper application, maintenance, or storage. Vicor shall not be liable for collateral or consequential damage. Vicor disclaims any and all liability arising out of the application or use of any product or circuit and assumes no liability for applications assistance or buyer product design. Buyers are responsible for their products and applications using Vicor products and components. Prior to using or distributing any products that include Vicor components, buyers should provide adequate design, testing and operating safeguards.

Vicor will repair or replace defective products in accordance with its own best judgment. For service under this warranty, the buyer must contact Vicor to obtain a Return Material Authorization (RMA) number and shipping instructions. Products returned without prior authorization will be returned to the buyer. The buyer will pay all charges incurred in returning the product to the factory. Vicor will pay all reshipment charges if the product was defective within the terms of this warranty.

### Life Support Policy

VICOR'S PRODUCTS ARE NOT AUTHORIZED FOR USE AS CRITICAL COMPONENTS IN LIFE SUPPORT DEVICES OR SYSTEMS WITHOUT THE EXPRESS PRIOR WRITTEN APPROVAL OF THE CHIEF EXECUTIVE OFFICER AND GENERAL COUNSEL OF VICOR CORPORATION. As used herein, life support devices or systems are devices which (a) are intended for surgical implant into the body, or (b) support or sustain life and whose failure to perform when properly used in accordance with instructions for use provided in the labeling can be reasonably expected to result in a significant injury to the user. A critical component is any component in a life support device or system whose failure to perform can be reasonably expected to cause the failure of the life support device or system or to affect its safety or effectiveness. Per Vicor Terms and Conditions of Sale, the user of Vicor products and components in life support applications assumes all risks of such use and indemnifies Vicor against all liability and damages.

### Intellectual Property Notice

Vicor and its subsidiaries own Intellectual Property (including issued U.S. and Foreign Patents and pending patent applications) relating to the products described in this data sheet. No license, whether express, implied, or arising by estoppel or otherwise, to any intellectual property rights is granted by this document. Interested parties should contact Vicor's Intellectual Property Department.

Vicor Corporation  
25 Frontage Road  
Andover, MA, USA 01810 USA

Picor Corporation  
51 Industrial Drive  
North Smithfield, RI 02896 USA

Customer Service: [custserv@vicorpower.com](mailto:custserv@vicorpower.com)

Technical Support: [apps@vicorpower.com](mailto:apps@vicorpower.com)