

注) NOTES

1. 材質 MATERIAL  
 ハウジング : ガラス入りPPS、茶色、UL94V-0  
 HOUSING: G.F.PPS, BROWN, UL94V-0  
 ターミナル : 銅合金 (t=0.2)  
 TERMINAL: COPPER ALLOY

2. メッキ仕様 PLATING  
 接点部 : 金メッキ 0.25 μmMIN.  
 CONTACT AREA: GOLD 0.25 μmMIN.  
 半田付け部 : 錫メッキ 1.0 μmMIN.  
 SOLDER TAIL AREA: TIN 1.0 μmMIN.  
 下地メッキ : ニッケルメッキ 1.5 μmMIN.  
 UNDER-PLATING: NICKEL 1.5 μmMIN.

3. テールのバラツキ寸法 TAIL COPLANARITY  
 テール平坦度は 0.1MAX. とする。  
 TAIL COPLANARITY TO BE 0.1 MAX.

4. エンボス対応済みの極数については、SD-53481-002を参照下さい。  
 FOR THE EMBOSSED PACKAGE PRODUCTS, SEE SD-53481-002.

5. 本製品は53481-\*\*\*7の鉛フリー品である。  
 THIS PRODUCT IS LEAD FREE OF 53481-\*\*\*7.

7 mm	52760-***0
基板間寸法 STACKING HEIGHT	嵌合相手 TO BE MATED WITH

MODEL NO.	53481-***67	ハウジングロック HSG LOCK	有り YES	22.02	25.92	20.92	18.415	53481-0668	53481-0667	60
			D	C	B	A	エンボス梱包 EMBOSSED PACKAGING	製品番号 MATERIAL NO.	極数 CKT. NO.	

THIS DRAWING CONTAINS INFORMATION THAT IS PROPRIETARY TO MOLEX ELECTRONIC TECHNOLOGIES, LLC AND SHOULD NOT BE USED WITHOUT WRITTEN PERMISSION

SCALE: 4:1

GENERAL TOLERANCES (UNLESS SPECIFIED)

PLACES	MM	INCH
4 PLACES	±	±
3 PLACES	±	±
2 PLACES	±	±
1 PLACE	±	±
0 PLACES	±	±

ANGULAR TOL ± 3.0°

DRAFT WHERE APPLICABLE MUST REMAIN WITHIN DIMENSIONS

THIRD ANGLE PROJECTION

DRAWING: A3-SIZE

SERIES: 53481

DOCUMENT NUMBER: SD-53481-001

DOC TYPE: PSD

DOC PART: 001

REVISION: C

SHEET NUMBER: 1 OF 1

PRODUCT CUSTOMER DRAWING

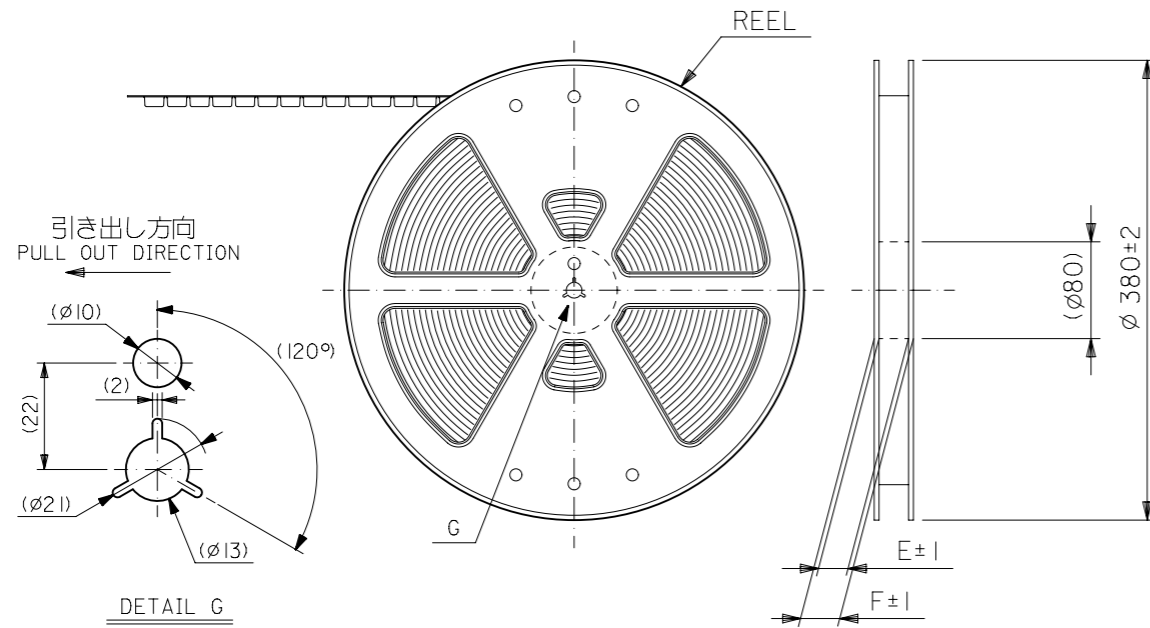
0.635 PITCH B-TO-B S/T PLUG HSG ASSY - LEAD FREE-

EC NO: 620398  
 DRWN: AKUMAR19 2019/01/07  
 CHK'D: GGA 2019/10/18  
 APPR: GGA 2019/10/18

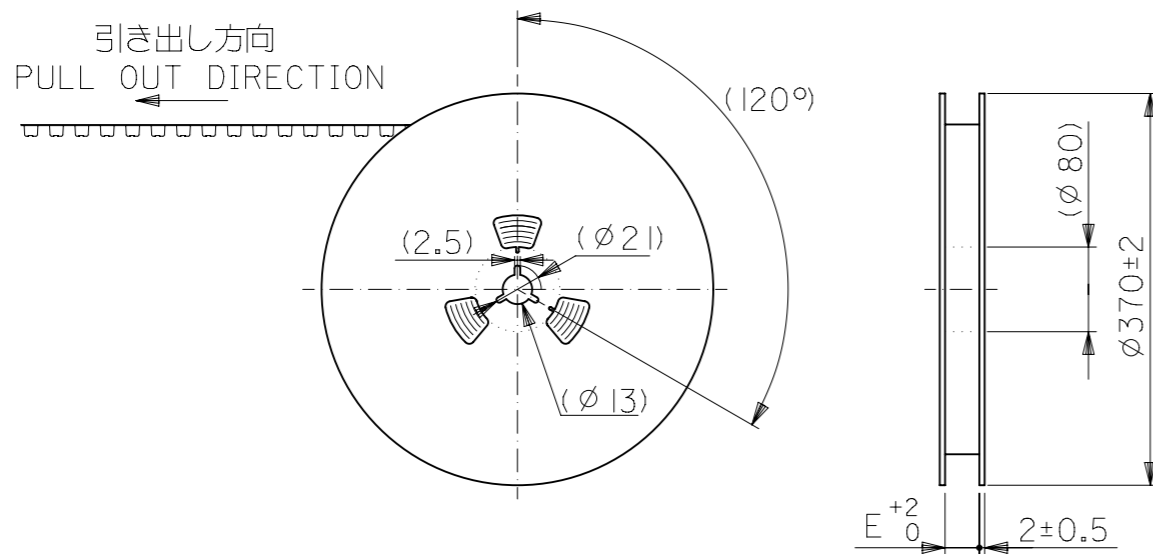
INITIAL REVISION:  
 DRWN: H.KAWABATA 2004/03/08  
 APPR: M.SASAO 2004/03/08

GENERAL TOLERANCE (UNLESS SPECIFIED)

0 <sup>OVER</sup> 10 <sup>UNDER</sup>	±0.2
10 <sup>OVER</sup> 30 <sup>UNDER</sup>	±0.25
30 <sup>OVER</sup>	±0.3



キャリアテープ幅：24mm～56mm  
CARRIER TAPE WIDTH : 24mm-56mm



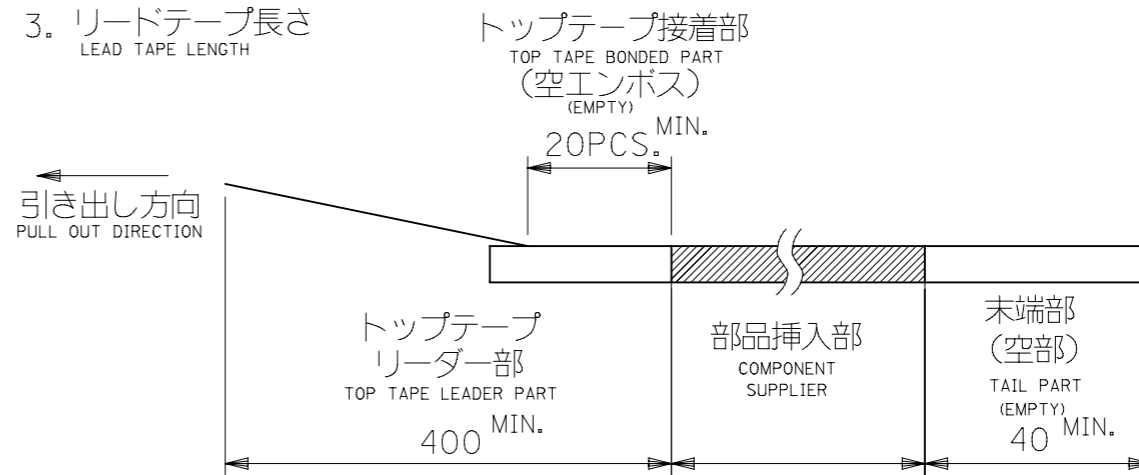
キャリアテープ幅：72mm～104mm  
CARRIER TAPE WIDTH : 72mm-104mm

注) NOTES

1. 製品番号 53481-\*\*\*67 の詳細寸法については、SD-53481-001 を参照下さい。  
IN THE PACKAGE ,PART NO.53481-\*\*\*67 DETAILED DIMENSIONS ,SEE SD-53481-001.

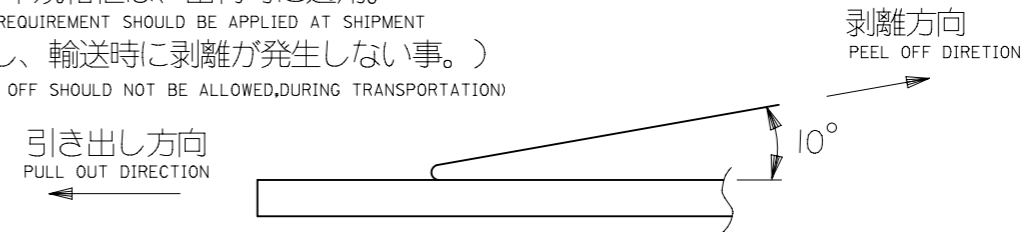
2. 梱包数量 : NUMBER OF CONNECTORS :

CIRCUITS	NUMBER
OTHERS	1000 PCS/REEL
240	800 PCS/REEL



4. トップテープの剥離強度 (剥離方向は下図参照)  
PEELING OFF FORCE OF TOP TAPE (PEELING DIRECTION AS SHOWN IN FOLLOWING FIG.)  
0. 1~1. 3N {10~130gf} : キャリアテープ幅24mm~104mm  
0.1~1.3N {10~130gf} : CARRIER TAPE WIDTH 24mm-104mm

尚、本規格値は、出荷時に適用。  
THIS REQUIREMENT SHOULD BE APPLIED AT SHIPMENT  
(但し、輸送時に剥離が発生しない事。)  
(PEEL OFF SHOULD NOT BE ALLOWED,DURING TRANSPORTATION)

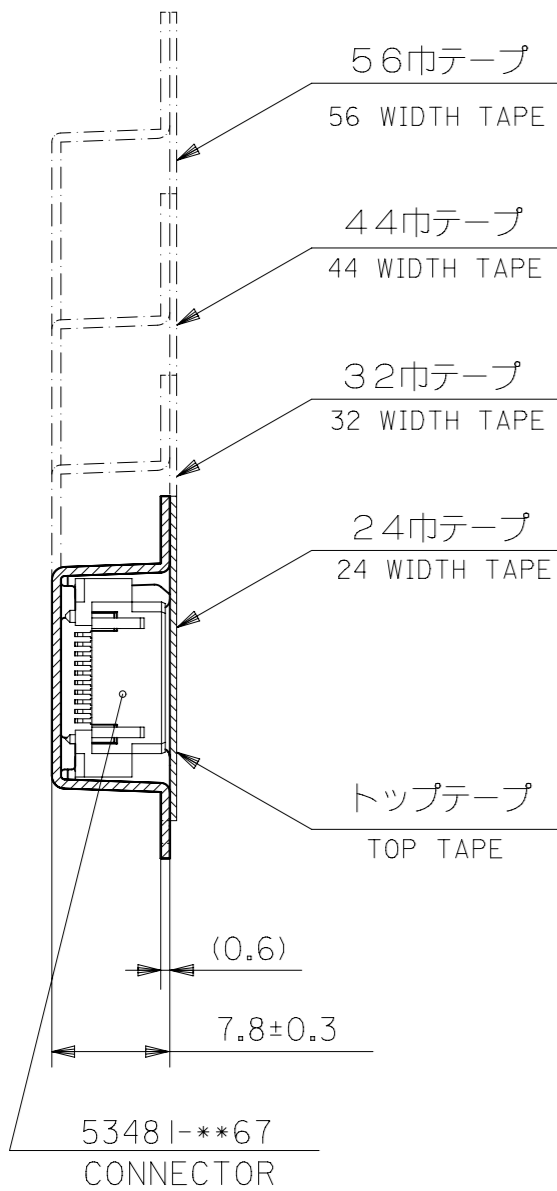
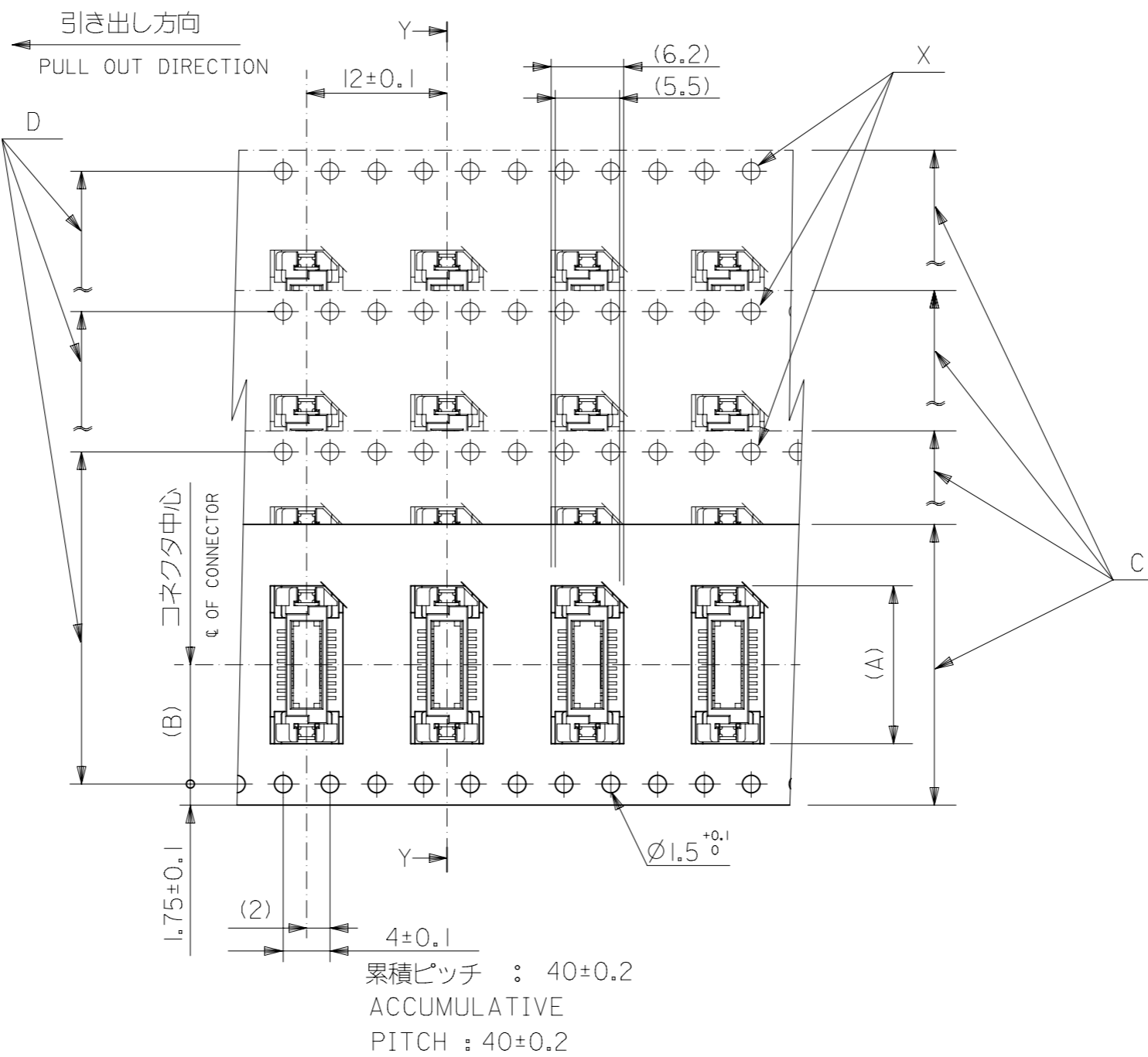


5. 材料 MATERIAL  
キャリアテープ : ポリプロピレン (PP)  
CARRIER TAPE : POLYPROPYLENE (PP)  
トップテープ : PET, PE, PEF  
TOP TAPE : PET, PE, PEF  
リール REEL : キャリアテープ幅 24mm~56mm : ポリスチレン  
CARRIER TAPE WIDTH 24mm-56mm : POLYSTYRENE  
キャリアテープ幅 72mm~104mm : 紙  
CARRIER TAPE WIDTH 72mm-104mm : CARD BOARD

6. 本製品は53481-\*\*\*8の鉛フリー品である。  
THIS PRODUCT IS LEAD FREE OF 53481-\*\*\*8.

53481-\*\*\*68  
MODEL NO.

DIMENSION UNITS		SCALE		CURRENT REV DESC:				molex			
mm		NTS									
GENERAL TOLERANCES (UNLESS SPECIFIED)				EC NO: 620398				53481-***87			
				DRWN: AKUMAR19 2019/01/07				TAPING PACKAGE -LEAD FREE-			
				CHK'D: GGA 2019/10/18				PRODUCT CUSTOMER DRAWING			
				APPR: GGA 2019/10/18							
4 PLACES ±				INITIAL REVISION:				DOCUMENT NUMBER			
3 PLACES ±				DRWN: H.KAWABATA 2004/03/08				SD-53481-002			
2 PLACES ±				APPR: M.SASAO 2004/03/08				DOC TYPE DOC PART REVISION			
1 PLACE ±								PSD 001 C			
0 PLACES ±											
ANGULAR TOL ± °				DRAFT WHERE APPLICABLE MUST REMAIN WITHIN DIMENSIONS				THIRD ANGLE PROJECTION			
				DRAWING				SERIES			
				A3-SIZE				53481			
				MATERIAL NUMBER				CUSTOMER			
				SEE TABLE				GENERAL MARKET			
				SHEET NUMBER				1 OF 2			



49.4	45.4	40.4	44 <sup>+0.3</sup>	20.2	26.2	53481-0668	60
F	E	D	C キャリアテープ幅 CARRIER TAPE WIDTH	(B)	(A)	MATERIAL NO.	極数 NO. OF CKTS.
						MODEL NO.	53481-***68

THIS DRAWING CONTAINS INFORMATION THAT IS PROPRIETARY TO MOLEX ELECTRONIC TECHNOLOGIES, LLC AND SHOULD NOT BE USED WITHOUT WRITTEN PERMISSION

DIMENSION UNITS		SCALE		CURRENT REV DESC:				<b>molex</b>			
mm		NTS									
GENERAL TOLERANCES (UNLESS SPECIFIED)				EC NO: 620398				53481-***87 TAPING PACKAGE -LEAD FREE-			
MM		INCH		DRWN: AKUMAR19 2019/01/07							
4 PLACES ±		±		CHK'D: GGA 2019/10/18				PRODUCT CUSTOMER DRAWING			
3 PLACES ±		±		APPR: GGA 2019/10/18							
2 PLACES ±		±		INITIAL REVISION:				DOCUMENT NUMBER			
1 PLACE ±		±		DRWN: H.KAWABATA 2004/03/08							
0 PLACES ±		±		APPR: M.SASAO 2004/03/08				PSD		001	
ANGULAR TOL ± °		± °		DRAFT WHERE APPLICABLE MUST REMAIN WITHIN DIMENSIONS							
				SERIES				MATERIAL NUMBER		CUSTOMER	
				A3-SIZE							
				SHEET NUMBER				SEE TABLE		2 OF 2	