

4

3

2

1

THIS DRAWING IS UNPUBLISHED.

RELEASED FOR PUBLICATION

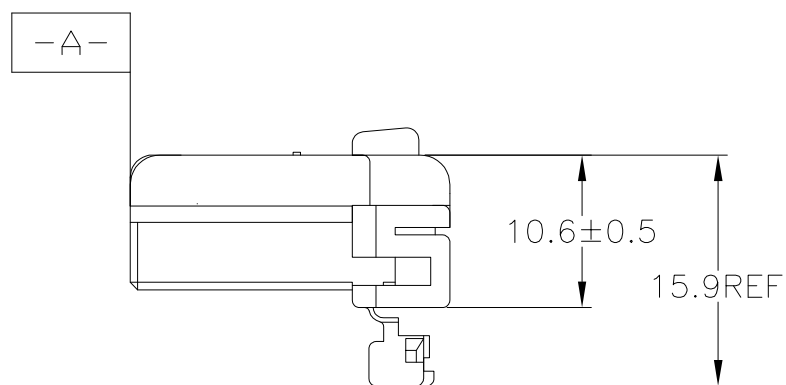
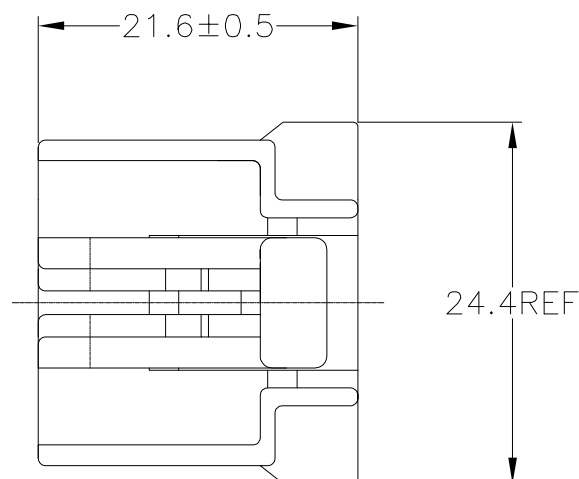
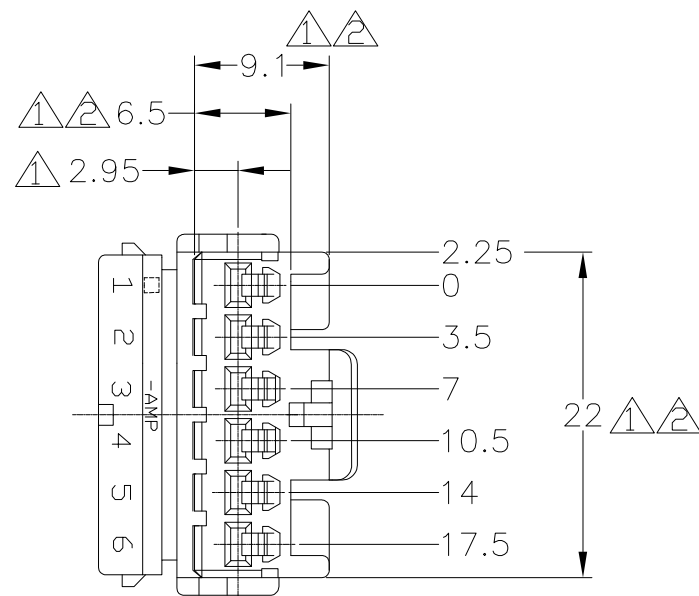
20

© COPYRIGHT 20 BY -

ALL RIGHTS RESERVED.

REVISIONS

P	LTR	DESCRIPTION	DATE	DWN	APVD
	A	REVISED (ECR-16-004410)	24.MAR.16	JM	JW



NOTES

- ▲ MUST BE KEPT BETWEEN -A- AND 2mm
- ▲ TO BE MATED WITH THE CAP HOUSING SMOOTHLY
- 3. APPLIED RECEPTACLE CONTACT PART NUMBER :173630 & 173631
- 4. APPLIED CAP HOUSING : 368504

①	BLACK	PBT	PLUG HSG	368502-2
	NATURAL	PBT	PLUG HSG	368502-1
NO.	COLOR/FINISH	MATERIAL	DESCRIPTION	P/N

THIS DRAWING IS A CONTROLLED DOCUMENT.		DWN JM JEON	STE TE Connectivity		
DIMENSIONS: mm		CHK JM JEON			
		TOLERANCES UNLESS OTHERWISE SPECIFIED:		NAME	
		0 <XX<10 ± 0.2 10<XX<30 ± 0.25 30<XX ± 0.3 ANGLES ± 3°		.070 MLC PLUG HSG 6P	
MATERIAL	SEE TABLE	FINISH	-	SIZE	A3
CUSTOMER DRAWING		WEIGHT	-	CAGE CODE	00779
				DRAWING NO	C=368502
				RESTRICTED TO	-
				SCALE	1:1
				SHEET	1 OF 1
				REV	A