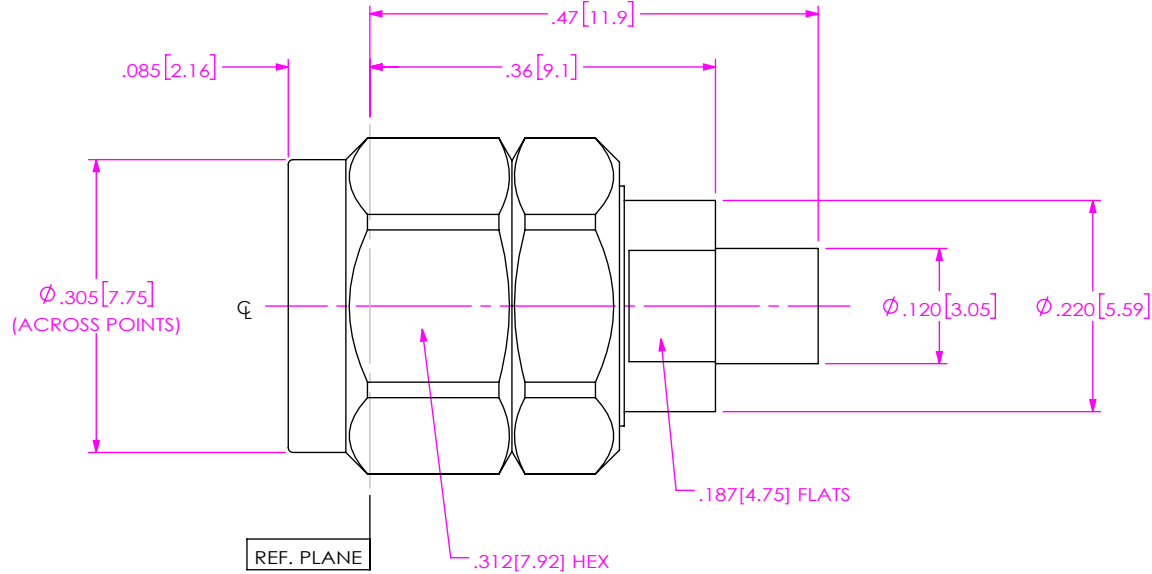


DO NOT SCALE FROM THIS PRINT

DESIGNED & DIMENSIONED IN INCHES[MILLIMETERS]



PRF24-P-C-EE-086-SD

SERIES
-24: 2.4MM

GENDER
-P: PLUG

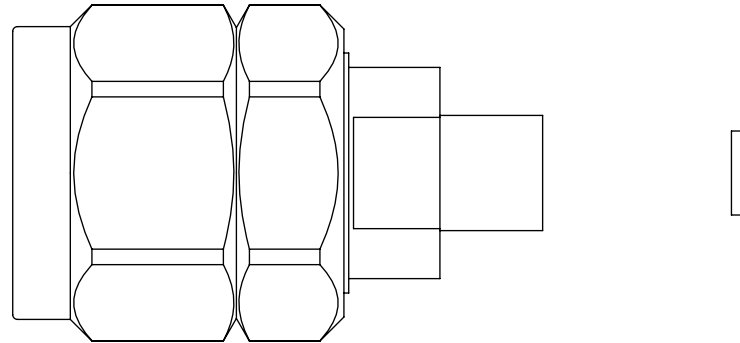
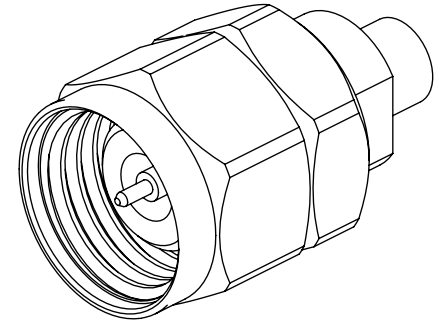
TYPE
-C: CABLE

TERMINATION
-D: DIRECT SOLDER

ORIENTATION
-S: STRAIGHT

CABLE TYPE
-086: CCA-086-FFP

FINISH
-EE: 50µ" EXTRA HEAVY GOLD CENTER CONTACT, 50µ" EXTRA HEAVY GOLD OUTER BODY



EXPLODED VIEW
NOT TO SCALE
(FOR CLARITY ONLY)

NOTES:

- MATERIAL:**
BUSHING & COUPLING NUT: STAINLESS STEEL.
BODY, CONTACT & LOCK RING: BERYLLIUM COPPER.
DIELECTRIC STOP: TEFLON FLUOROCARBON.
DIELECTRIC BEAD: ULTEM 1000.
GASKET: SILICONE RUBBER.
- FINISH:**
COUPLING NUT & BUSHING: PASSIVATED.
BODY & CONTACT: GOLD OVER NICKEL PLATE,
50 MIN MIN GOLD OVER 50 MIN MIN NICKEL.
- PCI P/N: 4123.

F:\dwg\sw\axisprod\assembly\rf\240\prf24-p-c-ee-086-sd\PRF24-P-C-EE-086-SD.SLDRW

UNLESS OTHERWISE SPECIFIED, DIMENSIONS ARE IN INCHES. TOLERANCES ARE:
DECIMALS ANGLES
.XX: ±.02[0.5] 1°
.XXX: ±.005[0.13]
.XXXX: ±.0005[0.013]

PROPRIETARY NOTE
THIS DOCUMENT CONTAINS CONFIDENTIAL AND PROPRIETARY INFORMATION AND ALL DESIGN, MANUFACTURING, REPRODUCTION, USE, PATENT RIGHTS AND SALES RIGHTS ARE EXPRESSLY RESERVED BY SAMTEC, INC. THIS DOCUMENT SHALL NOT BE DISCLOSED, IN WHOLE OR PART, TO ANY UNAUTHORIZED PERSON OR ENTITY NOR REPRODUCED, TRANSFERRED OR INCORPORATED IN ANY OTHER PROJECT IN ANY MANNER WITHOUT THE EXPRESS WRITTEN CONSENT OF SAMTEC, INC.



520 PARK EAST BLVD, NEW ALBANY, IN 47150
PHONE: 812-944-6733 FAX: 812-948-5047
e-Mail info@SAMTEC.com code 55322

DO NOT SCALE DRAWING

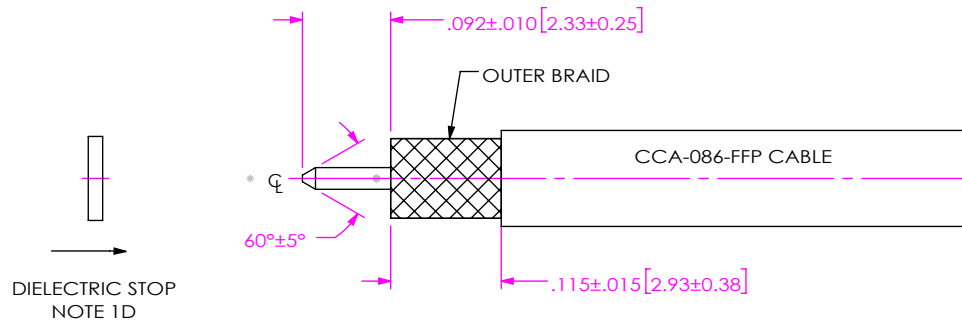
SHEET SCALE: 5:1

DESCRIPTION: 2.4MM PLUG, DIRECT SOLDER FOR CCA-086-FFP CABLE

DWG. NO. PRF24-P-C-EE-086-SD

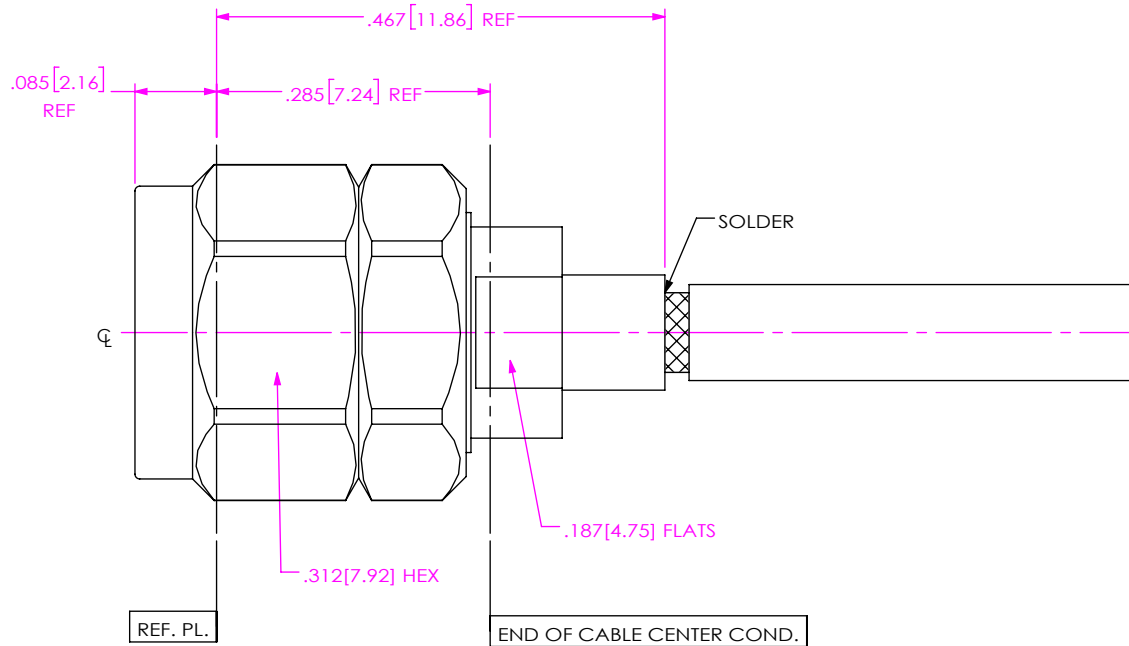
BY: EVE L 01/09/2021 SHEET 1 OF 2

CABLE APPLICATION VIEWS



- 1A. TRIM CABLE TO EXPOSE OUTER BRAID AND CENTER CONDUCTOR AS SHOWN.
- 1B. POINT CENTER CONDUCTOR AS INDICATED.
- 1C. SLIDE DIELECTRIC STOP ONTO CENTER CONDUCTOR AGAINST OUTER BRAID.

IN-PROCESS 1



- 2A. INSERT CABLE INTO CONNECTOR UNTIL CENTER CONDUCTOR PLUGS IN AND OUTER CONDUCTORS SEAT IN CONNECTOR BORE.
- 2B. SOLDER CABLE BRAIDS TO BODY WHERE SHOWN APPLYING HEAT TO EXTENDED BODY TAIL.

PROPRIETARY NOTE
 THIS DOCUMENT CONTAINS CONFIDENTIAL AND PROPRIETARY INFORMATION AND ALL DESIGN, MANUFACTURING, REPRODUCTION, USE, PATENT RIGHTS AND SALES RIGHTS ARE EXPRESSLY RESERVED BY SAMTEC, INC. THIS DOCUMENT SHALL NOT BE DISCLOSED, IN WHOLE OR PART, TO ANY UNAUTHORIZED PERSON OR ENTITY NOR REPRODUCED, TRANSFERRED OR INCORPORATED IN ANY OTHER PROJECT IN ANY MANNER WITHOUT THE EXPRESS WRITTEN CONSENT OF SAMTEC, INC.



520 PARK EAST BLVD, NEW ALBANY, IN 47150
 PHONE: 812-944-6733 FAX: 812-948-5047
 e-Mail: info@SAMTEC.com code 55322

DO NOT SCALE DRAWING

SHEET SCALE: 5:1

DESCRIPTION: 2.4MM PLUG, DIRECT SOLDER FOR CCA-086-FFP CABLE

DWG. NO. PRF24-P-C-EE-086-SD

BY: EVE L 01/09/2021 SHEET 2 OF 2

IN-PROCESS 2