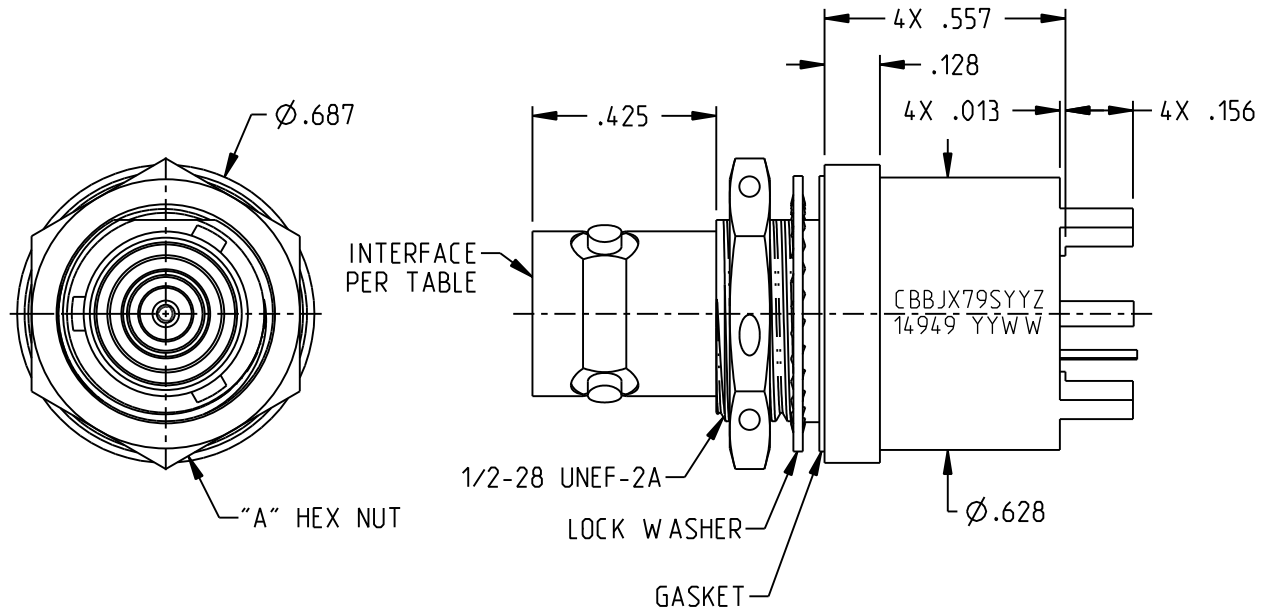


MODEL NUMBER	"A"	INTERFACE PER	SH
CBBJ79	9/16	MIL-STD-348 FIG. 201-2	1
CBBJ79S	5/8 w/3X $\phi$ .047 SAFETY WIRE HOLES		
CBBJ79TL	9/16		
CBBJ79TLS	5/8 w/3X $\phi$ .047 SAFETY WIRE HOLES		
CBBJ79FL	9/16		
CBBJ79FLS	5/8 w/3X $\phi$ .047 SAFETY WIRE HOLES		
CBBJ379	9/16	MIL-STD-348 FIG. 202-2	2
CBBJ379S	5/8 w/3X $\phi$ .047 SAFETY WIRE HOLES		
CBBJ79TL-1M	9/16	MIL-STD-348 FIG. 201-2	2
CBBJ379-1M	9/16	MIL-STD-348 FIG. 202-2	



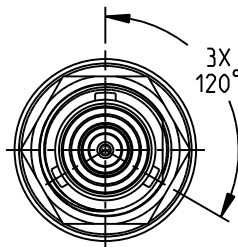
CBBJ79S SHOWN  
UNLESS SPECIFIED DIMENSIONS  
COMMON TO ALL MODEL NUMBERS

NOTES: UNLESS OTHERWISE SPECIFIED.

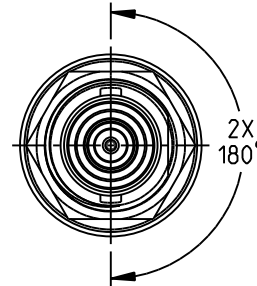
- MATERIAL & FINISH:
  - BODY: TIN PLATED BRASS
  - INSULATOR & DIELECTRIC: PTFE (TEFLON)
  - INTERMEDIATE CONTACT: GOLD PLATED BRASS
  - CENTER CONTACT: GOLD PLATED BERYLLIUM COPPER
  - GASKET: SILICONE RUBBER
  - MOUNTING HARDWARE: GOLD PLATED COPPER ALLOY

- ELECTRICAL:
  - FREQUENCY (MAX): 500 MHZ
  - IMPEDANCE: NON-CONSTANT
- PANEL NUT TORQUE (MAX): 35 INCH POUNDS
- PANEL THICKNESS (MAX): .109

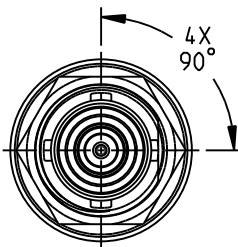
- EXAMPLE OF COMPLETE MODEL NUMBER  
CBBJX79YYZ-AA  
S - SAFETY WIRE HOLES  
BASIC MODEL NO (PRE TABLE)



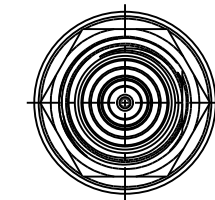
CBBJ79 SHOWN



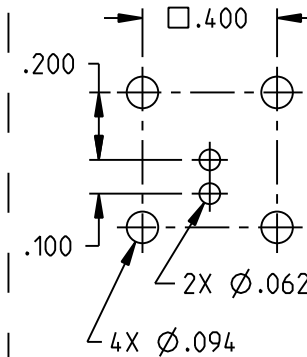
CBBJ79TL SHOWN



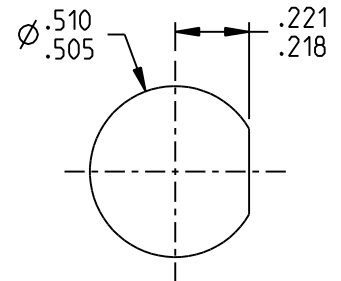
CBBJ79FL SHOWN



CBBJ379 SHOWN



RECOMMENDED  
MTG HOLE PATTERN



RECOMMENDED  
PANEL CUTOUT

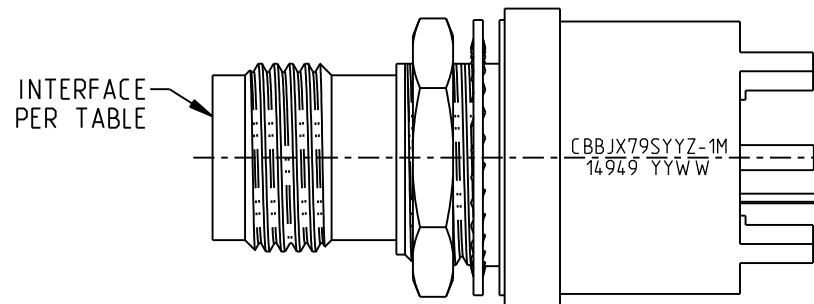


NOTICE: The information in this drawing is PROPRIETARY and must not be used without the permission of Cinch Connectivity Solutions. It may contain data whose export is restricted. Verify status prior to exporting.  
INTERPRET DRAWING IN ACCORDANCE WITH ASME Y14.5-2018

3RD ANGLE PROJECTION  
RoHS2  2015/863/EU  
UNLESS OTHERWISE SPECIFIED  
UNITS: INCH  
.XX ±.02  
.XXX ±.010  
ANGLES ±2°

TROMPETER	
Title:	TRB/TRT BULKHEAD CIRCUIT BOARD JACK
Model No.	CBBJX79YYZ
Size	A
DO NOT SCALE DRAWING	Date: 3/21/2023
Sheet	1 OF 2

MODEL NUMBER	"A"	INTERFACE PER	SH
CBBJ79	9/16	MIL-STD-348 FIG. 201-2	1
CBBJ79S	5/8 w/3X Ø.047 SAFETY WIRE HOLES		
CBBJ79TL	9/16		
CBBJ79TLS	5/8 w/3X Ø.047 SAFETY WIRE HOLES		
CBBJ79FL	9/16		
CBBJ79FLS	5/8 w/3X Ø.047 SAFETY WIRE HOLES		
CBBJ379	9/16	MIL-STD-348 FIG. 202-2	2
CBBJ379S	5/8 w/3X Ø.047 SAFETY WIRE HOLES		
CBBJ79TL-1M	9/16	MIL-STD-348 FIG. 201-2	2
CBBJ379-1M	9/16	MIL-STD-348 FIG. 202-2	



CBBJ379-1M SHOWN

NOTES: UNLESS OTHERWISE SPECIFIED.

1. MATERIAL & FINISH:

1.1 CBBJ79TL-1M & CBBJ379-1M:

1.1.1 BODY: SILVER PLATED BRASS

1.1.2 INSULATOR & DIELECTRIC: PTFE (TEFLON)

1.1.3 INTERMEDIATE CONTACT: GOLD PLATED BRASS

1.1.4 CENTER CONTACT: GOLD PLATED BERYLLIUM COPPER

1.1.5 GASKET: SILICONE RUBBER

1.1.6 MOUNTING HARDWARE: SILVER PLATED COPPER ALLOY

		<h1>TROMPETER</h1>	
	RoHS2 <input checked="" type="checkbox"/> 2015/863/EU	Title: TRB/TRT BULKHEAD CIRCUIT BOARD JACK	
<small>NOTICE: The information in this drawing is PROPRIETARY and must not be used without the permission of Cinch Connectivity Solutions. It may contain data whose export is restricted. Verify status prior to exporting.</small>	<small>UNLESS OTHERWISE SPECIFIED</small> UNITS: INCH .XX ±.02 .XXX ±.010 ANGLES ±2°	Model No.: CBBJX79YYZ	
<small>INTERPRET DRAWING IN ACCORDANCE WITH ASME Y14.5-2018</small>	Size: A	DO NOT SCALE DRAWING	Date: 3/21/2023 Sheet: 2 OF 2