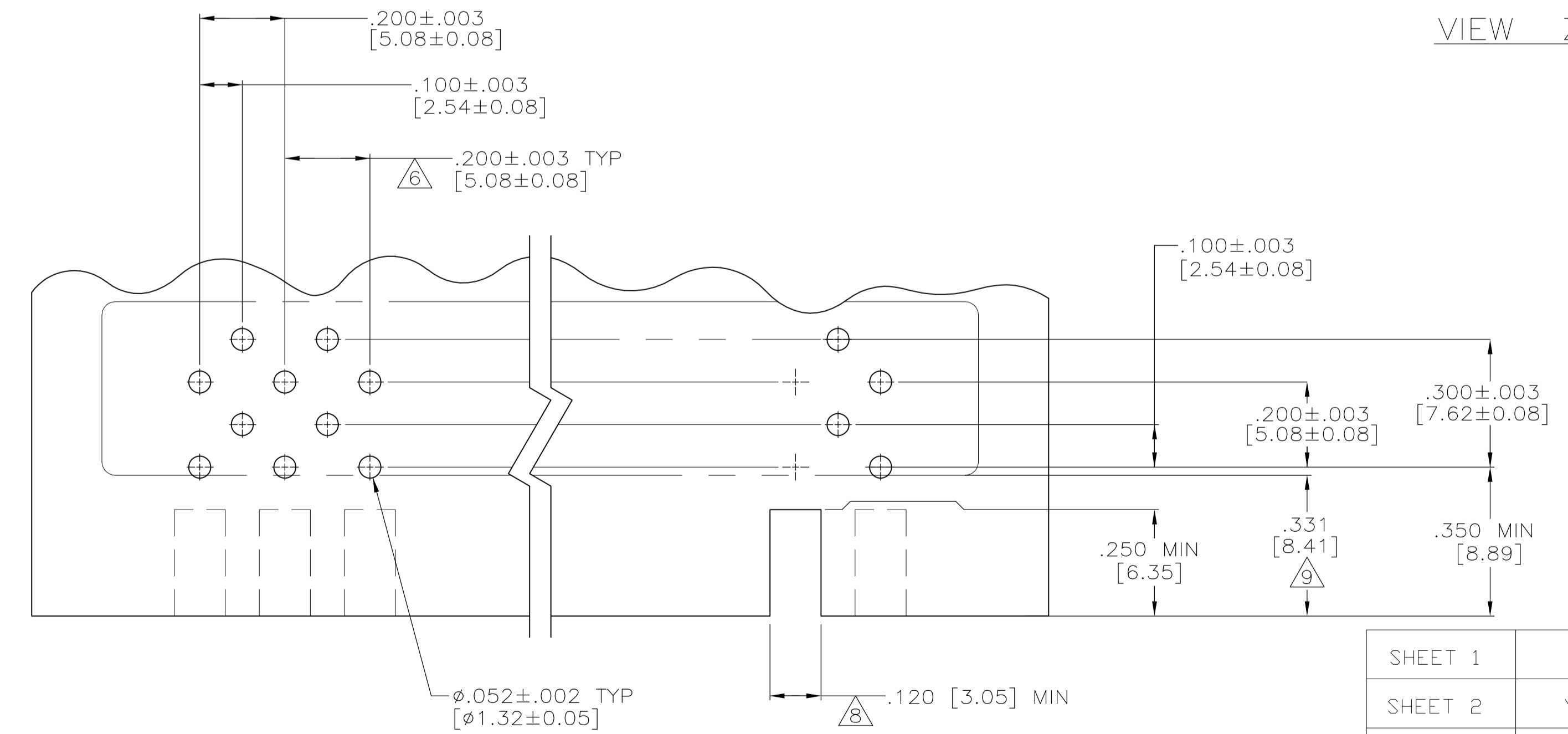
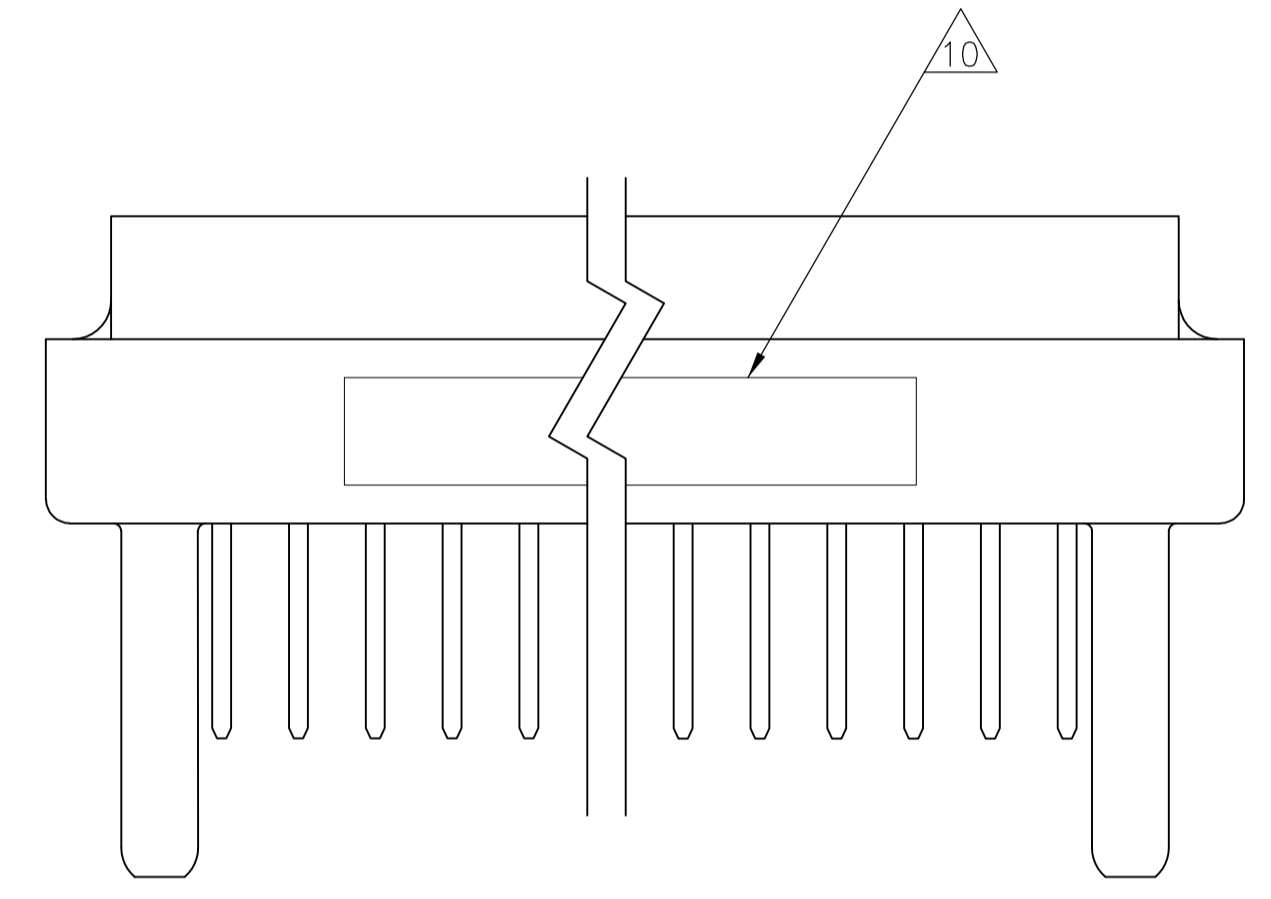
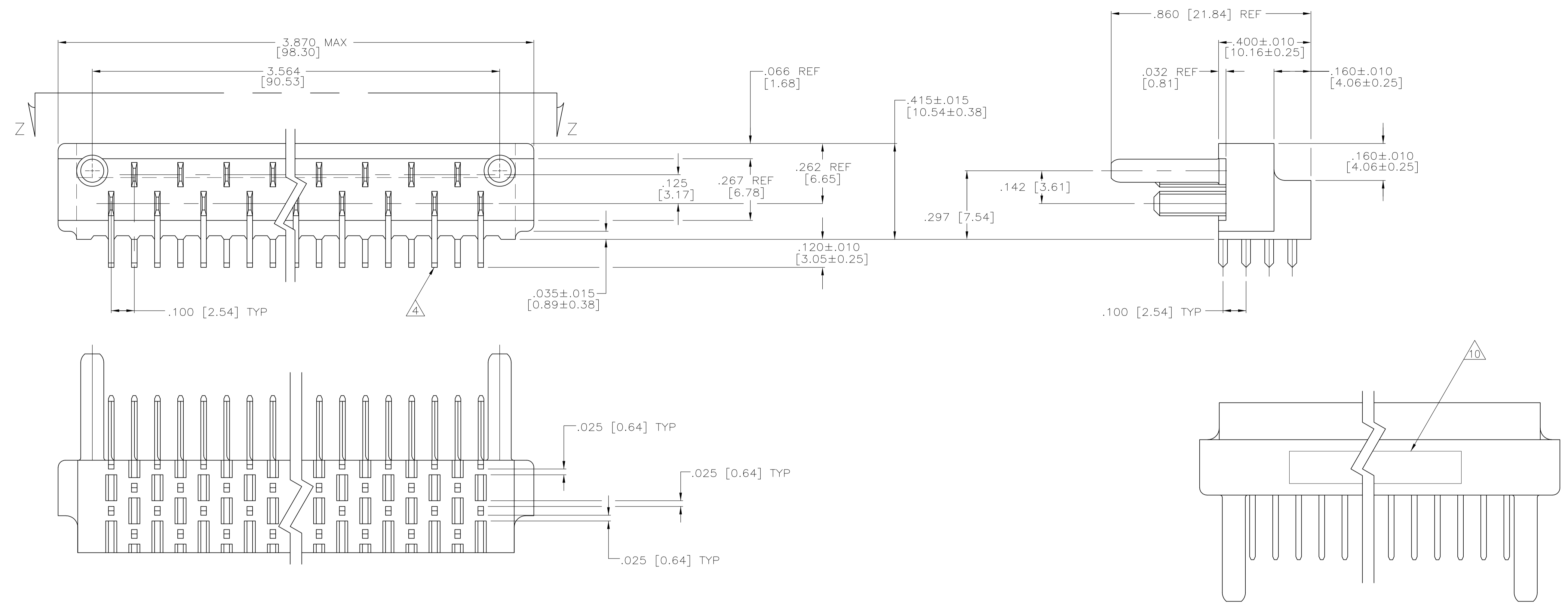


REVISONS		DATE	BY	APP'D
D	REV PER ECO 09-014496	6-18-09	CT	DE



- TAB-HOUSING ASSEMBLY MATES WITH AMP P/N 3-582151 SERIES.
 - BLADE CENTER LINE TO BE MEASURED FROM THE CENTER LINE FORMED BY THE ALIGNMENT PINS & AS LONG AS THE BLADES FALL WITHIN TOLERANCES INDICATED, THE ALLOWABLE WARPAGE IS INDEPENDENT OF THE BLADES & BECOMES A MEASUREMENT OF THE OUTSIDE SURFACE OF THE TAB-HOUSING & DOES NOT EFFECT THE MATING OF THIS TAB-HOUSING WITH 582151.
- 3 MOUNTING HOLES.
 - 4 CONTACT POSTS SOLDER DIPPED IN LEAD FREE SOLDER. CONNECTOR MUST MEET REQUIREMENTS OF JEDEC JESD22-B102 EXCEPT STEAM AGE 4 HRS AND 270°C SOLDER POT TEMP.
 - 5 CONTACT MATL.; GILDING METAL. GOLD OVER NICKEL.
 - 6 TOLERANCE NON CUMULATIVE.
 - 7 TAB-HOUSING MATL.; DIALYL PHTHALATE, GLASS FILLED PER MIL-M-14, TYPE S.D.G.-F. COLOR; GREEN.
 - 8 CUT OUT FOR KEYING BOSS, LOCATED WHERE REQD. (OPTIONAL)
 - 9 FROM EDGE OF P.C. BOARD TO FACE OF TAB-HOUSING.
 - 10 TYCO, TYCO PART NO. AND DATE CODE MARKED PER TABLE IN THIS APPROX AREA.
 - 11 CONTACT FINISH; .0001 THK. GOLD, OVER NICKEL.

SHEET	NO	THICKNESS	NO. OF CONTACTS	PART NO.
SHEET 1	NO	.062 [1.57]	35	3-5582152-9
SHEET 2	YES	.062 [1.57]	17	3-5582152-1
SHEET 2	YES	.062 [1.57]	29	3-5582152-3
SEE SHEET	MOUNTING HOLES	P.C. BOARD THICKNESS	NO. OF CONTACTS	PART NO.

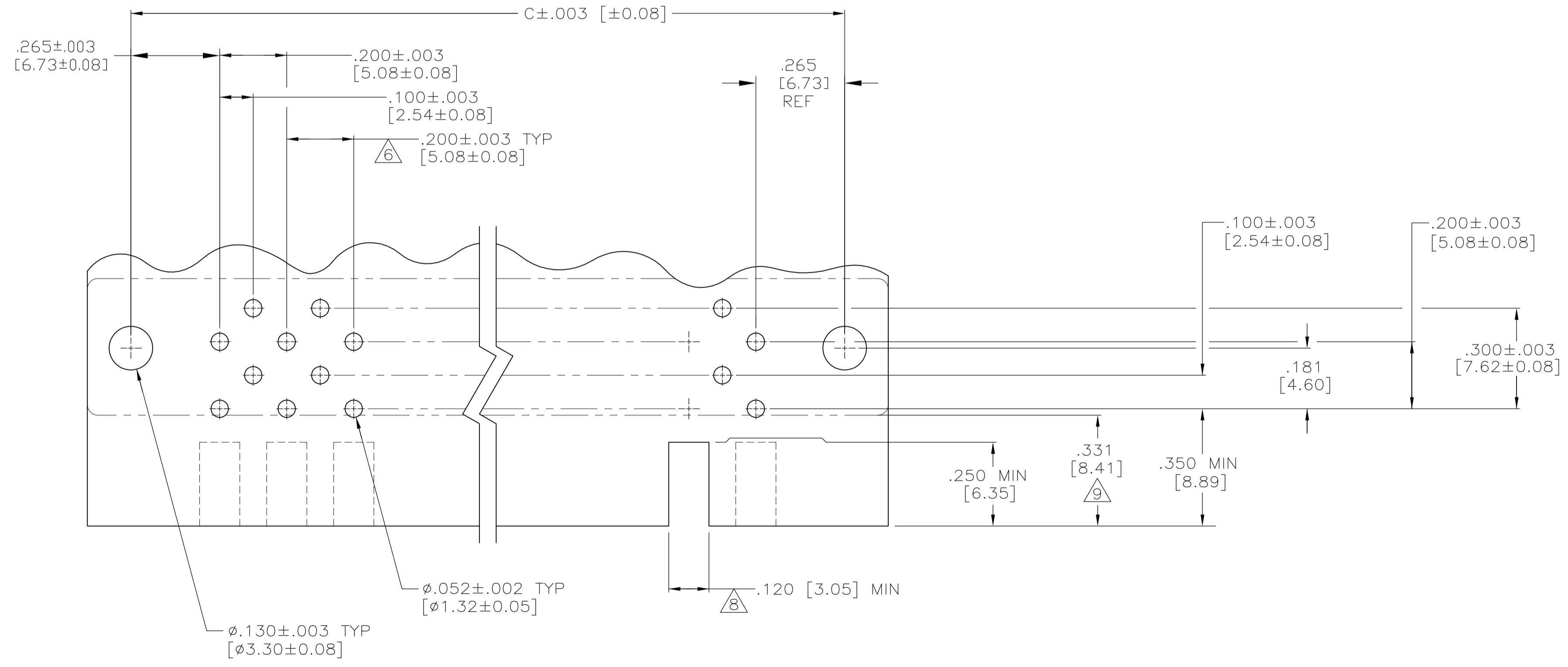
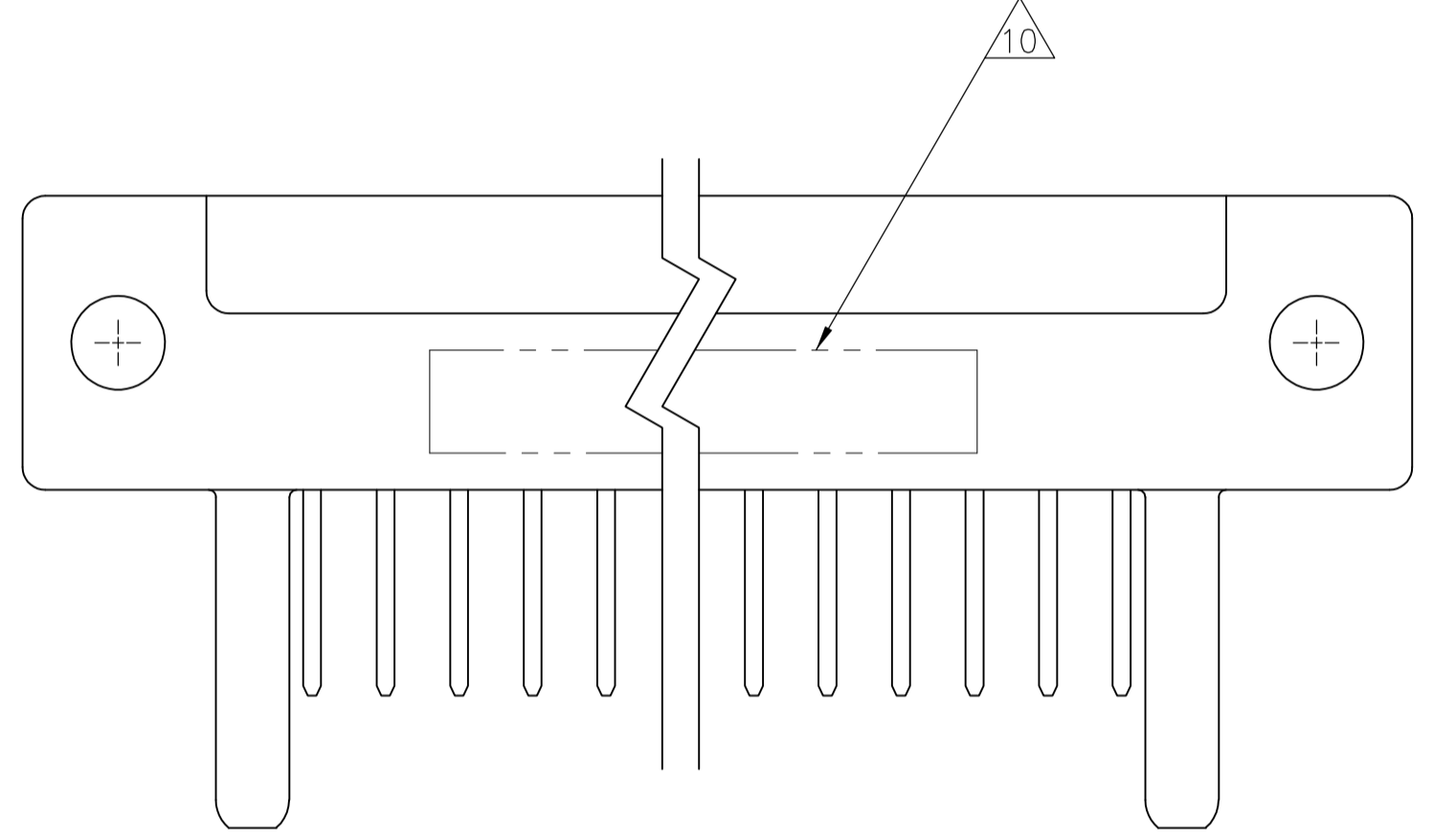
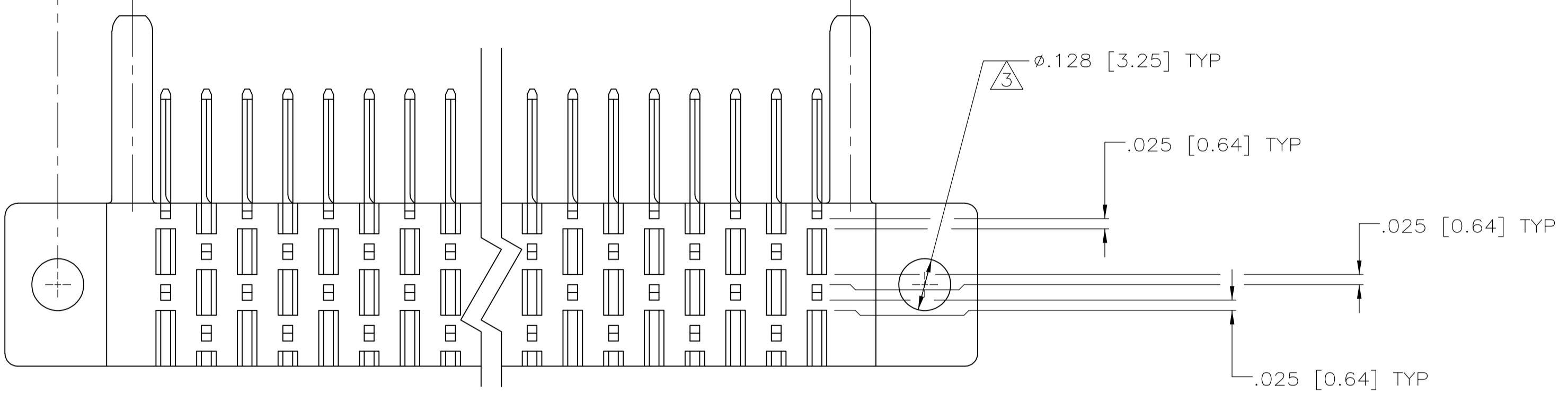
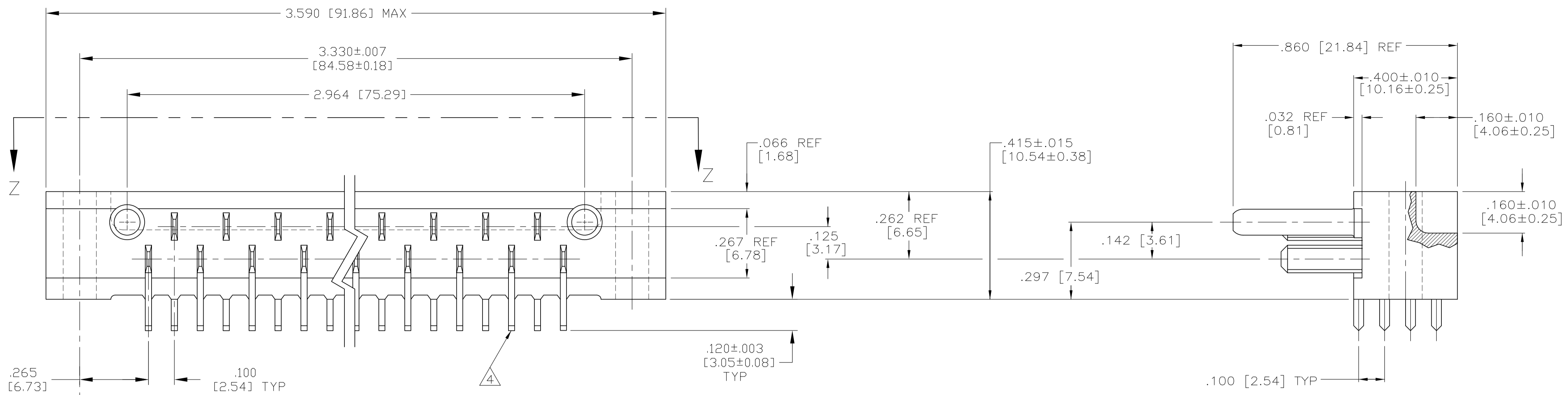
THIS DRAWING IS A CONTROLLED DOCUMENT.

DIMENSIONS: INCHES	TOLERANCES UNLESS OTHERWISE SPECIFIED:	0 PLC ± -	1 PLC ± -	2 PLC ± -	3 PLC ± .005 [0.13]	4 PLC ± -	ANGLES ± -
--------------------	----------------------------------------	-----------	-----------	-----------	---------------------	-----------	------------

MATERIAL: SEE CALLOUTS. FINISH: SEE CALLOUTS.

THIS DRAWING IS A CONTROLLED DOCUMENT. C.C. THOMAS 5-9-06. D. MILLER 5-10-06. D. MILLER 5-10-06. NAME: ASSEMBLY, AMP BLADE TAB HOUSING LEAD FREE. SIZE: A1. CASE CODE: 00779. DRAWING NO: 5582152. WEIGHT: -. RESTRICTED TO: -. CUSTOMER DRAWING. SCALE: 4:1. SHEET: 1 OF 2. REV: D.

LOC		DIST		REVISIONS			
P	LYR	DESCRIPTION	DATE	DNW	APVD		
-		-		SEE SHEET 1	-	-	-



RECOMMENDED P.C. BOARD LAYOUT

THIS DRAWING IS A CONTROLLED DOCUMENT.		DWG C.C.THOMAS	5-9-06	Tyco Electronics Corporation Harrisburg, PA 17105-3608
DIMENSIONS: INCHES		CHK D.MILLER	5-10-06	
TOLERANCES UNLESS OTHERWISE SPECIFIED:		APVD D.MILLER	5-10-06	NAME
0. PLC	± -	APPLICATION SPEC		ASSEMBLY, AMP BLADE TAB HOUSING LEAD FREE
1. PLC	± -	MATERIAL		SIZE
2. PLC	± -	FINISH		CAGE CODE
3. PLC	± .005 [0.13]	WEIGHT		DRAWING NO
4. PLC	± -	SEE CALLOUTS		RESTRICTED TO
ANGLES	± -	CUSTOMER DRAWING		A1 00779
SCALE 4:1		SHEET 2 OF 2		REV D