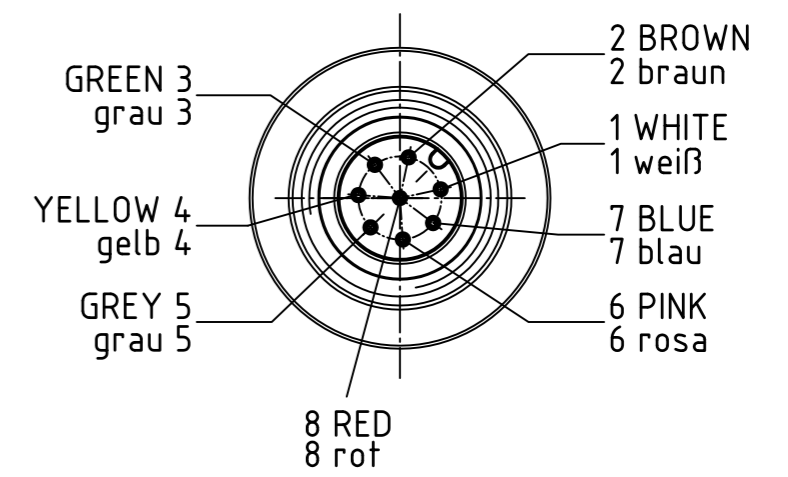


VIEW/Ansicht X
MALE CABLE CONNECTOR/Kabelstecker
8-Pol



CABLE PRINTING:
Kabelbedruckung: Woodhead Connectivity GmbH "Engineering-Nr" X..

PROD. DATE AS DEFINED IN
Fertigungsdatum gemäß
WN 00001

SAP-Nummer	Engineering-Nr.	Umspritzungsfarbe	Länge	Toleranzen
SAP-Number	Engineering-No.	Overmold Colour	Length	Tolerances
1200795033	W08S06P19M020	gelb / yellow	2M	± 25 mm
1200835125	W08S06P19M030	gelb / yellow	3M	
1202010048	W08S06P19M040	gelb / yellow	4M	
1200795034	W08S06P19M050	gelb / yellow	5M	
1202010050	W08S06P19M060	gelb / yellow	6M	± 30 mm
1200795035	W08S06P19M100	gelb / yellow	10M	
1200835139	W08S06P19M030G	schwarz / black	3M	± 25 mm
1200835140	W08S06P19M050G	schwarz / black	5M	
1200835152	W08S06P19M100G	schwarz / black	10M	± 30 mm

(...) DIM FOR INFORMATION
(...) Informationsmaß

DESCRIPTION EC NO: WEU2010-0123 DRWN: BBRAUCH CHKD: RE APPR: REISSNER 9/25/09 2009/11/23 REV	QUALITY SYMBOLS	GENERAL TOLERANCES (UNLESS SPECIFIED)	DIMENSION STYLE	SCALE	DESIGN UNITS	FIRST ANGLE PROJECTION
	▼ = 0 ▽ = 0	mm INCH 4 PLACES ±---- ±---- 3 PLACES ±---- ±---- 2 PLACES ±0.05 ±---- 1 PLACE ±0.1 ±---- ANGULAR ± ---- °	MM	2:1	METRIC	DRAWN BY: BB DATE: 2009/09/25 CHECKED BY: RE DATE: 2009/10/01 APPROVED BY: REISSNER DATE: 2009/11/20 MATERIAL NO.
	DRAFT WHERE APPLICABLE MUST REMAIN WITHIN DIMENSIONS	see table	M12-AU-8P-M-STR-8/25PURSH-XM ---- MOLEX INCORPORATED		DOCUMENT NO. SD-120083-022	SHEET NO. 1 OF 1
	SIZE A2	THIS DRAWING CONTAINS INFORMATION THAT IS PROPRIETARY TO MOLEX INCORPORATED AND SHOULD NOT BE USED WITHOUT WRITTEN PERMISSION				