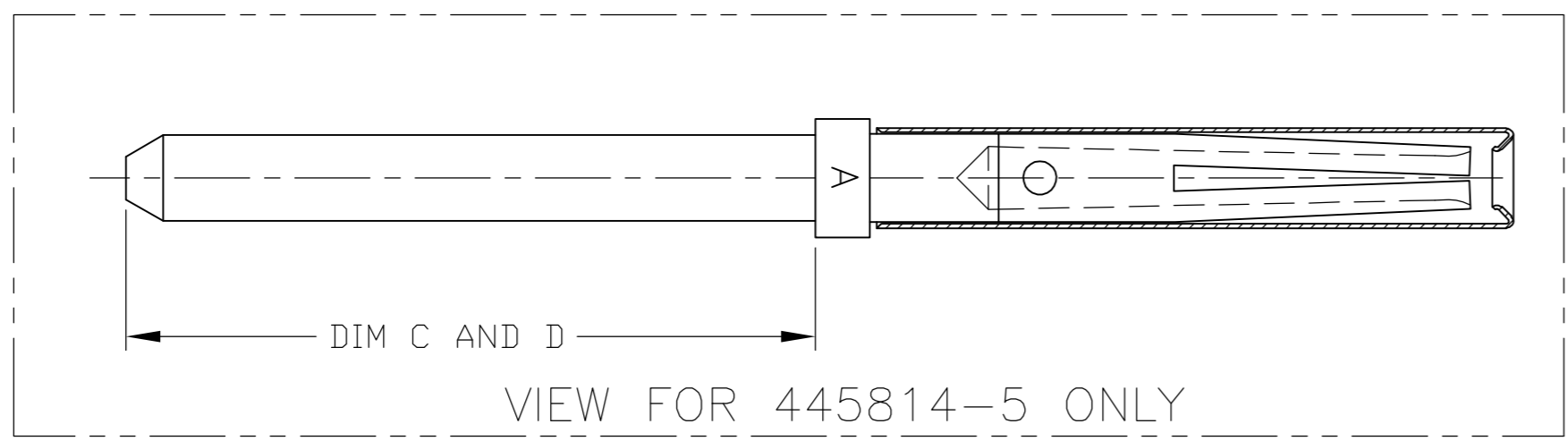
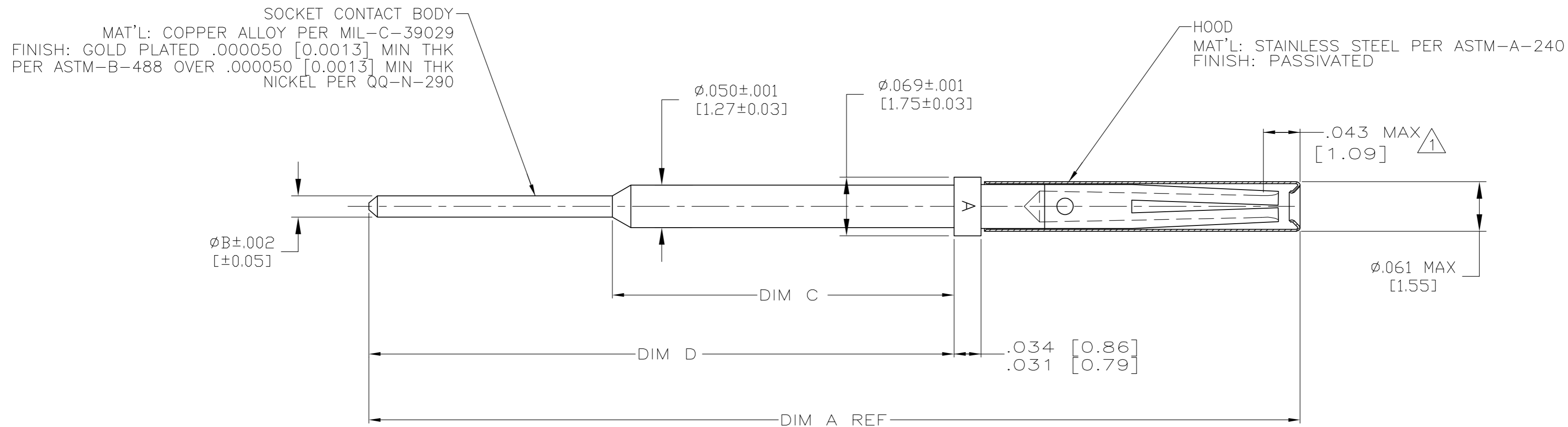


THIS DRAWING IS UNPUBLISHED. RELEASED FOR PUBLICATION
 © COPYRIGHT BY TYCO ELECTRONICS CORPORATION. ALL RIGHTS RESERVED.

LOC		DIST		REVISIONS			
P	LTR	DESCRIPTION		DATE	DWN	APVD	
DF	A0	B		REV PER ECO 06-028577	12-7-06	CT	DE



ELECTRICAL ENGAGEMENT POINT.

DEPENDS UPON INSERT	1.152±.010 [29.26±0.25]	.587 [14.91]	.025 [0.64]	1.561 [39.65]	445814-7
DEPENDS UPON INSERT	.867±.010 [22.02±0.25]	.587 [14.91]	.025 [0.64]	1.276 [32.41]	445814-6
DEPENDS UPON INSERT	.492 [12.50]	.492 [12.50]	.025 [0.64]	.901 [22.88]	445814-5
DEPENDS UPON INSERT	.577±.005 [14.66±0.13]	.370 [9.40]	.025 [0.64]	.986 [25.04]	445814-4
.180 [4.57]	.6775±.0020 [17.209±0.051]	.401 [10.19]	.020 [0.51]	1.087 [27.61]	445814-3
.230 [5.84]	.7275±.0105 [18.478±0.267]	.5775±.0065 [14.668±0.165]	.025 [0.64]	1.137 [28.88]	445814-2
.190 [4.82]	.688±.010 [17.48±0.25]	.401 [10.19]	.025 [0.64]	1.097 [27.86]	445814-1
MINIMUM POST EXTENSION BEYOND REAR OF INSERT	D DIM	C DIM	B DIM	A DIM	PART NUMBER

THIS DRAWING IS A CONTROLLED DOCUMENT.		DWN	C.C.THOMAS	12-7-06
DIMENSIONS: INCHES [mm]		CHK	D.EABY	12-7-06
TOLERANCES UNLESS OTHERWISE SPECIFIED:		APVD	D.EABY	12-7-06
0 PLC ± -		NAME		
1 PLC ± -		D.EABY		
2 PLC ± -		PRODUCT SPEC		
3 PLC ± .005 [0.13]		APPLICATION SPEC		
4 PLC ± -		WEIGHT		
ANGLES ± -		FINISH		
SEE CALLOUTS		SEE CALLOUTS		
MATERIAL		CUSTOMER DRAWING		
SEE CALLOUTS		SCALE 10:1		
SIZE		CAGE CODE	DRAWING NO	RESTRICTED TO
A2		00779	C=445814	-
SHEET		1 of 1		REV
B				