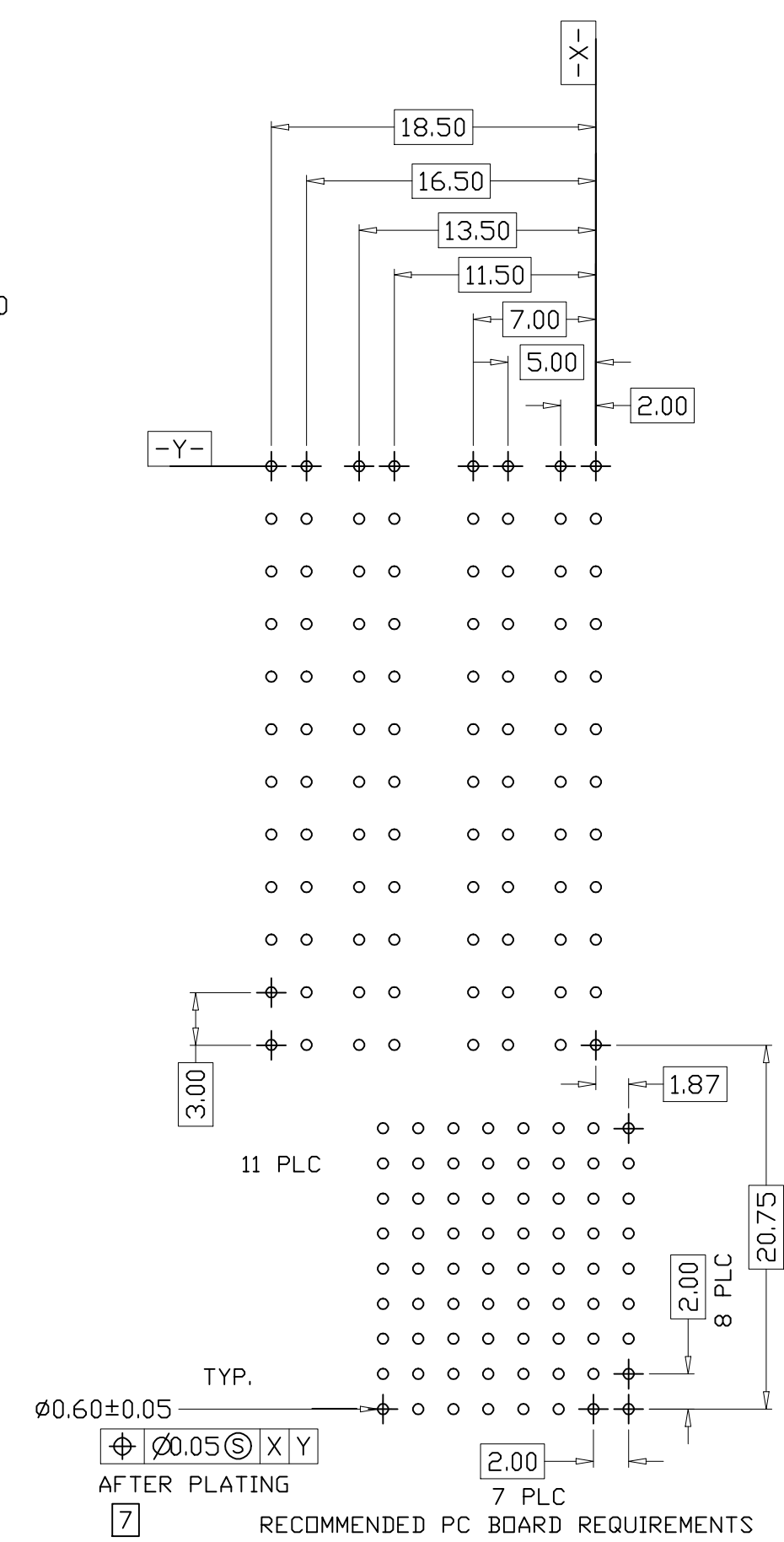
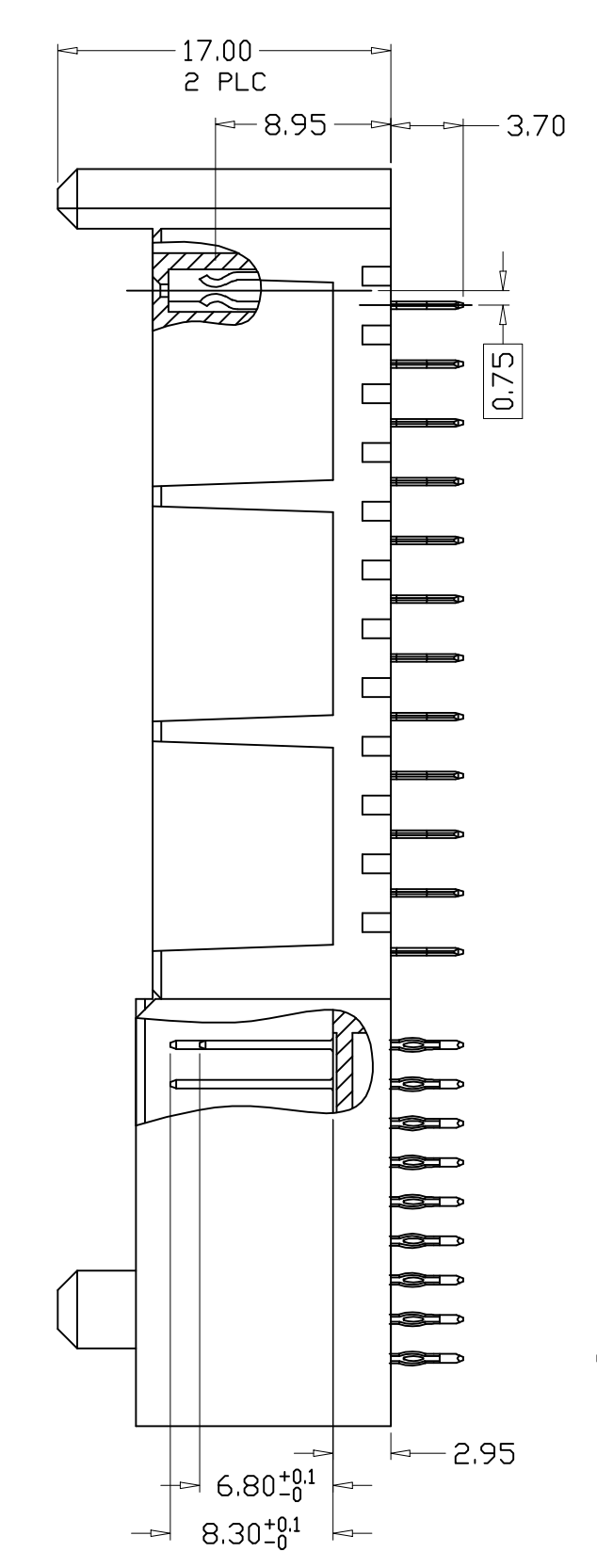
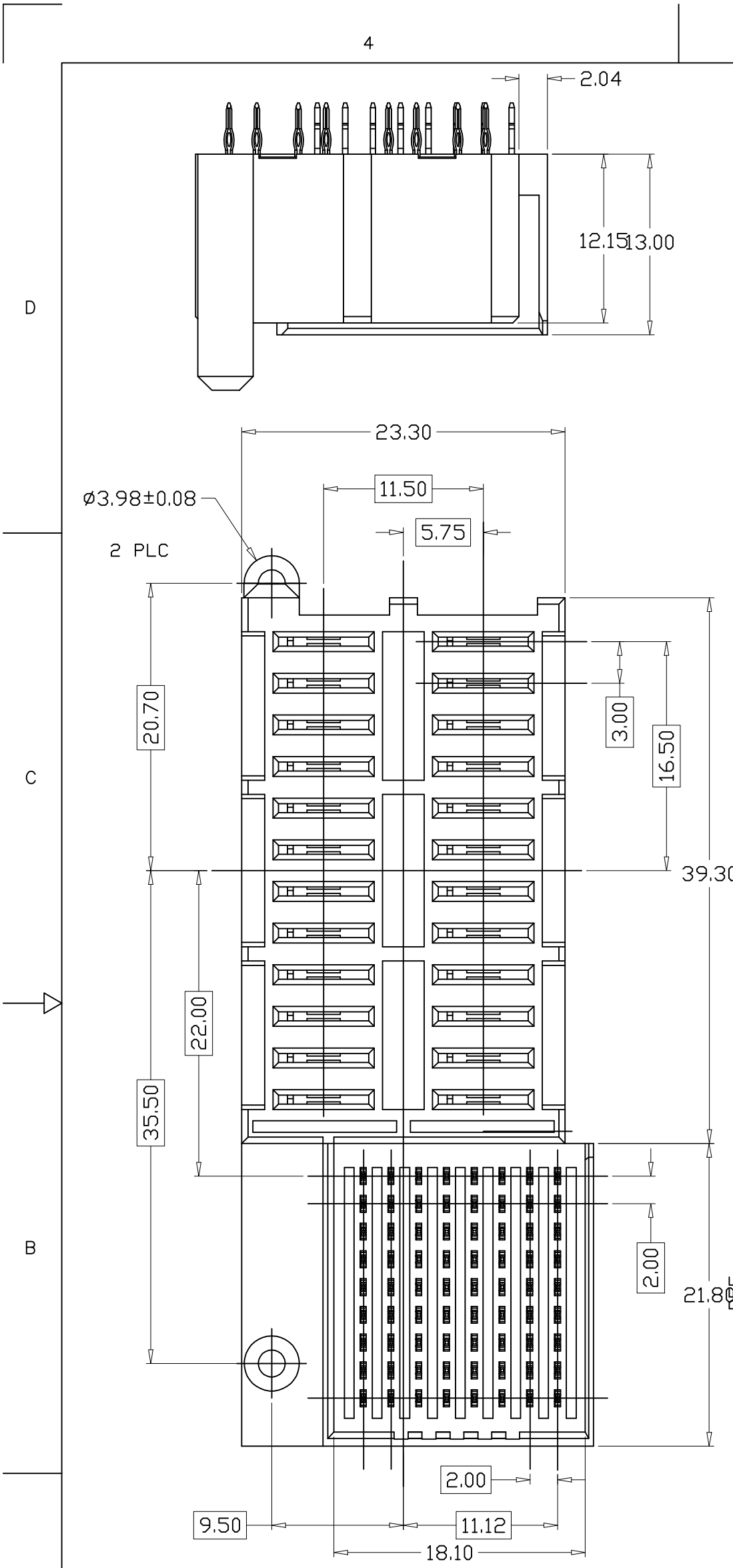


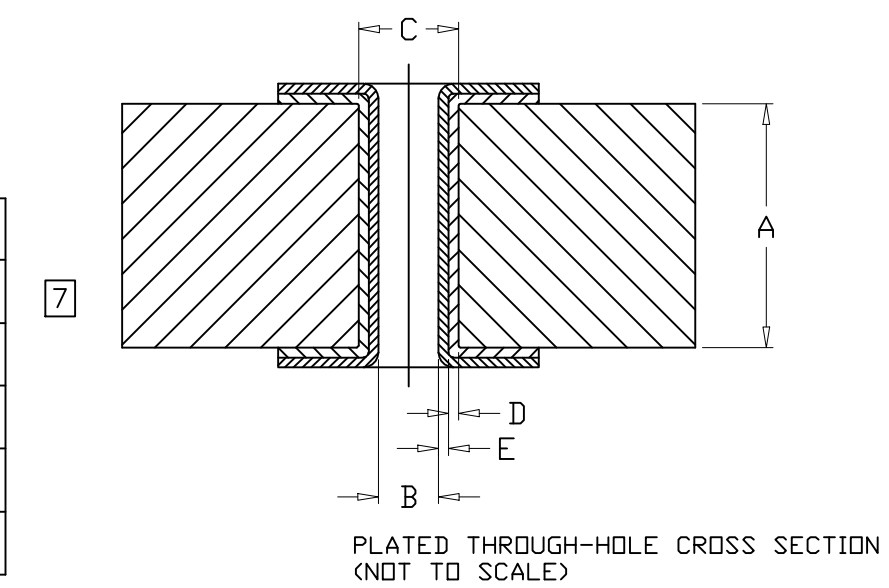
# 3M™ BACKPLANE HEADER AND POWER FEMALE MODULE FOR MicroTCA APPLICATIONS

## NOTES:

1. MATERIALS
  - A. HOUSING: THERMOPLASTIC POLYESTER, GLASS FILLED RATED UL 94V-0, COLOR: GRAY
  - B. CONTACT: COPPER ALLOY, GOLD PLATING
2. PLATING:
  - AS:
  - FINISH: MATING AREA- 0.76um Au
  - COMPLIANT PIN AREA-1.27um MIN MATTE Sn
  - 1.27um MIN Ni ALL OVER
3. RATINGS:
  - A. VOLTAGE( TEST VOLTAGE): 80V r.m.s.
  - B. CURRENT RATING: SIGNAL AND SIGNAL GND CONDUCTOR 0.625A/PIN  
POWER BRANCH GND CONDUCTOR 11.625 A/PIN
  - C. MAXIMUM LINE RESISTANCES: SIGNAL AND SIGNAL GND CONDUCTOR 25 MILLI OHMS  
POWER BRANCH GND CONDUCTOR 5 MILLI OHMS
4. ENGAGING FORCE: 145N MAX;  
SEPARATING FORCE: 110N MAX.
5. DURABILITY: 200 MATING CYCLES
6. FOR PRODUCT SPECIFICATION AND WARRANTY INFORMATION SEE 78-5102-0084-9
- PCB HOLE DIMENSIONS
8. SEE THE REGULATORY INFORMATION APPENDIX (RIA) IN THE "RoHS COMPLIANCE" SECTION OF: WWW.3MCONNECTOR.COM FOR COMPLIANCE INFORMATION (RIA E1 & C1 APPLY).
9. REFERENCE DOCUMENT 78-9101-3345-9
10. IN THE EVENT OF CONFLICT BETWEEN THIS DATA AND THAT CONTAINED IN THE PRODUCT SPEC., THE PRODUCT SPEC. TAKES PRECEDENT.
11. PART NUMBER: 1P02-1110-AS
12. FOR MATING PRODUCT USE:  
1P01-11X0-XX MicroTCA RIGHT ANGLE SOCKET AND POWER MALE MODULE



HOLE PLATING TABLE	Dimension
A PCB Thickness	Min. 1.4mm
B Plated Through Hole Dia.	0.60 +/- 0.05mm
C Drill Hole Diameter	0.70 +/- 0.02mm
D Cu Thickness	Min. 25µm
E Plating Thickness	Min. 0.5µm Immersion Sn



DESIGN REFERENCE	NEXT ASSEMBLY	REV	ECO	33179	REMOVED-HM PLATING AND 2.25mm CONTACT OPTIONS	ML	TS
		DRFT	ML	DATE	10/05/10	MFG	DATE
		CHKD	TS	DATE	10/05/10	APPL	AM
DO NOT SCALE DRAWING		SCALE		TOLERANCES EXCEPT AS NOTED		3M Center St. Paul, MN 55144 © 3M COPYRIGHT This document is the copyrighted property of the 3M Company and may not be reproduced without 3M written permission or used for other than 3M authorized purposes.	
THIRD ANGLE PROJECTION		INTERPRET PER ASME Y14.5 - 1994		INCHES .0 ± * .00 ± * .000 ± * .0000 ± *		TITLE 1P02-1110-AS MicroTCA BACKPLANE HEADER AND POWER FEMALE MODULE	
MAX SURFACE ROUGHNESS		MILLIMETERS		MILLIMETERS 0 ± * .0 ± 0.3 .00 ± 0.20 .000 ± 0.100		CAGE NUMBER SIZE DRAWING NO. 78-5100-2366-2	
<input type="checkbox"/> ALL SURFACES <input checked="" type="checkbox"/> MARKED ONLY		ANGLES ± 1°		MODEL DET. LISTS <input type="checkbox"/> YES <input type="checkbox"/> NO		REV. B SHT 1 OF 1	