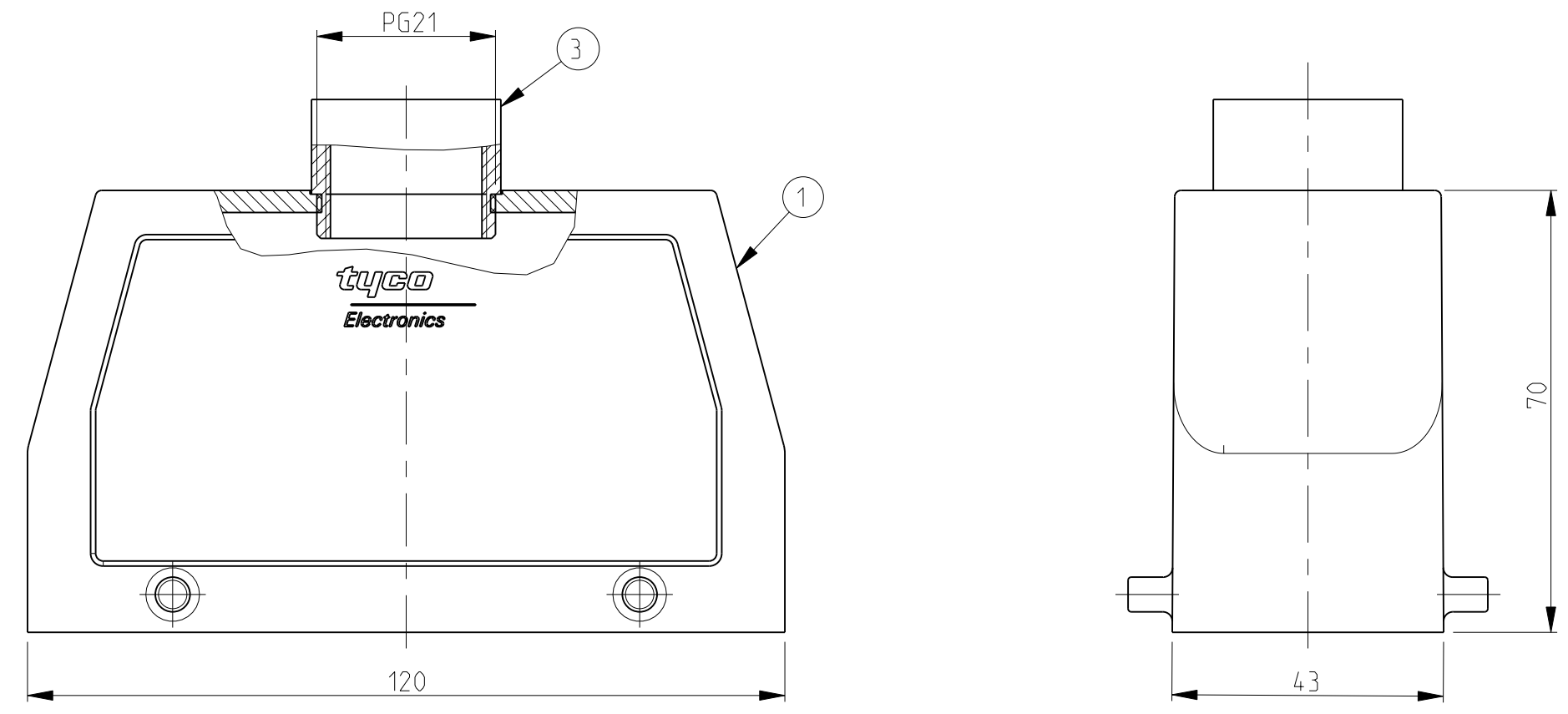
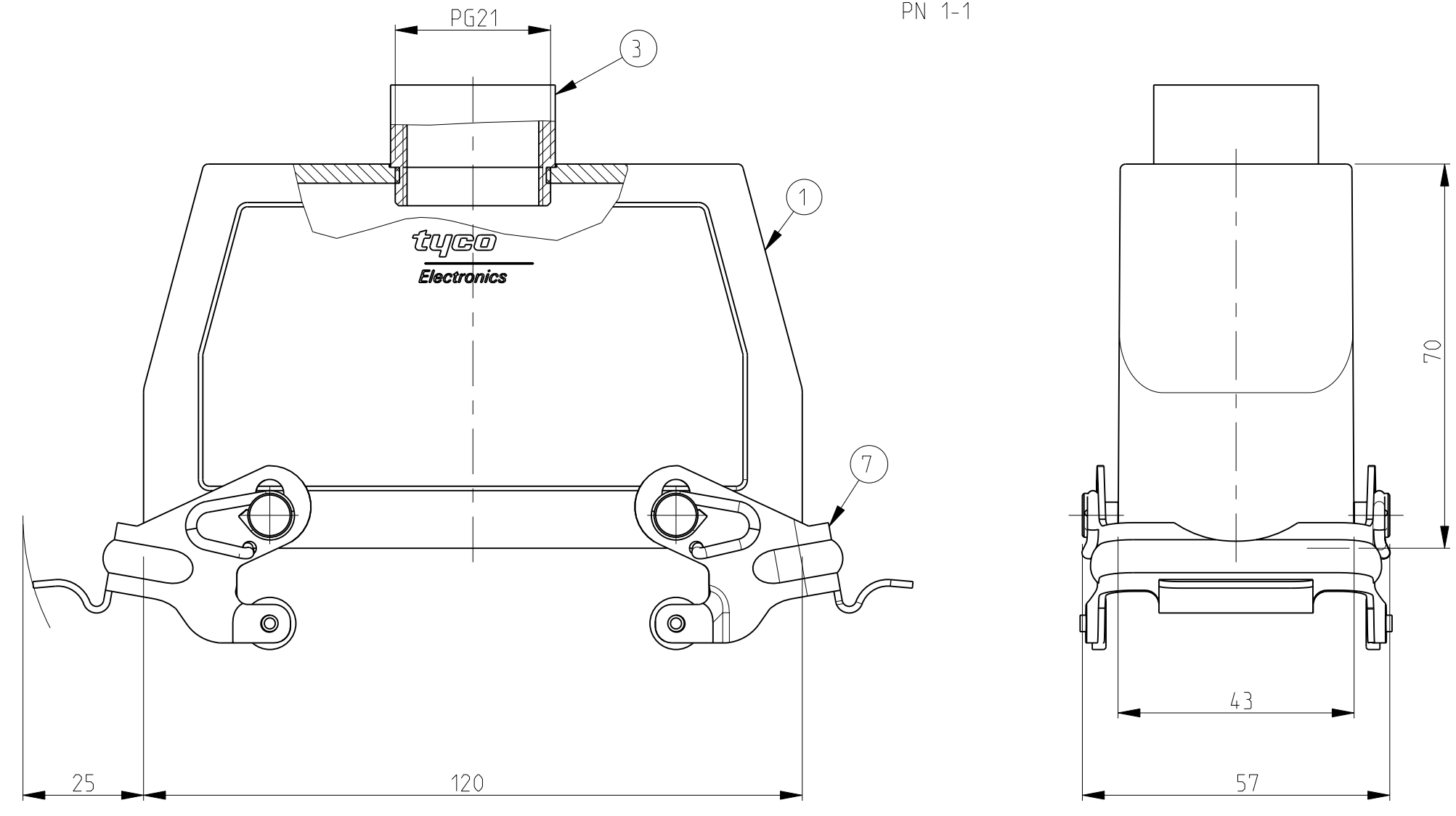


LOC	DIST	REVISIONS			
P	LTB	DESCRIPTION	DATE	DWN	APVD
A5		REVISED PER ECR-16-016768	24JAN2018	SRG	MKO
A6		ECR-17-013084	02APR18	SG	MKO

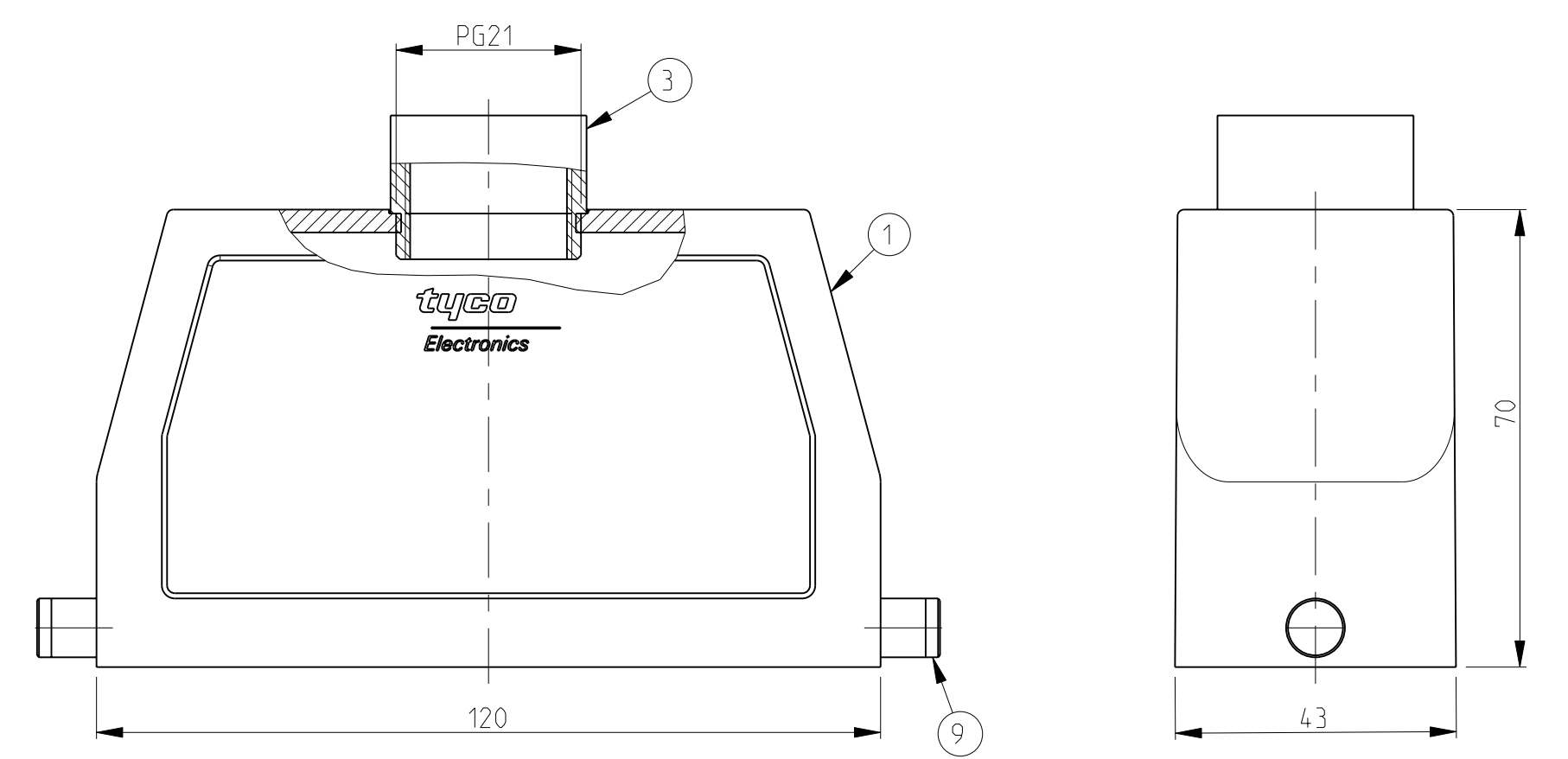
PN 1-6



PN 1-1

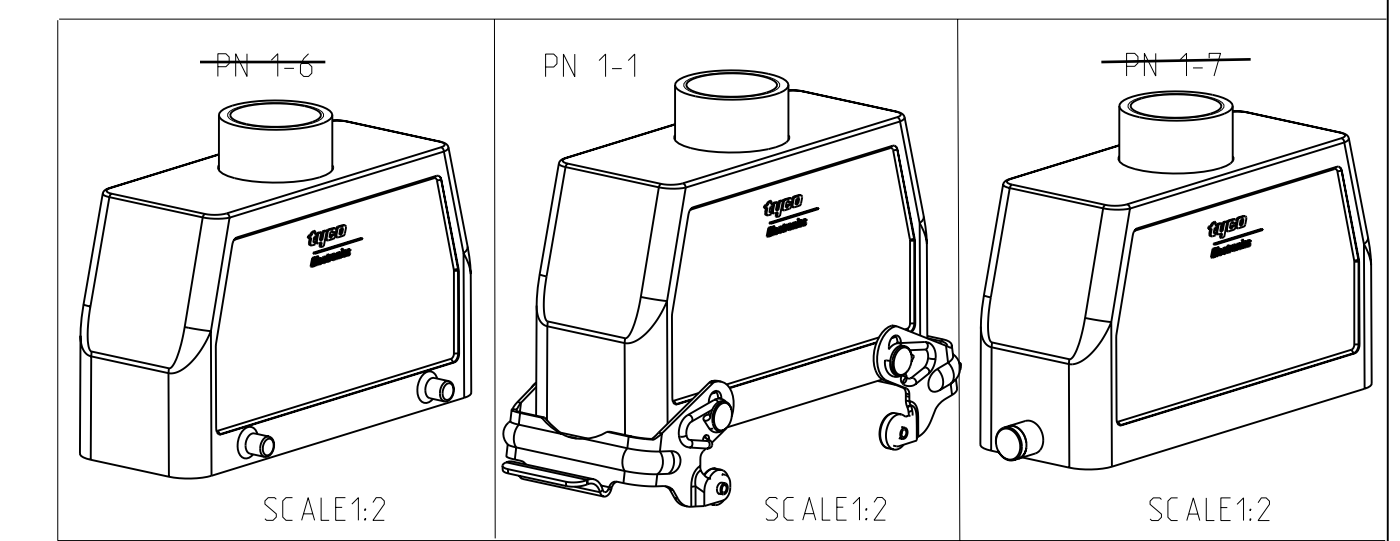


PN 1-7



NOTES.

- 1 Material:Housing:Aluminium Diecasting Alloy
- 2 Surface:Varnish grey
- 3 Varnish on the inside not necessary
- 4 Packaging Quantity 5 Pieces in a box



QTY	DESCRIPTION	MATERIAL	SURFACE	COLOR	ITEM NO	REMARKS
12	ZB Central clip	Stainless steel	-	-	12	
11	ZB Central clip	Steel	Zinc plated	Blue	11	
10	LB Clip bolt	Stainless steel	-	-	10	
9	LB Clip bolt	Steel	Zinc plated	Blue	9	
8	VS Locking clip	Stainless steel	-	-	8	
7	VS Locking clip	Steel	Zinc plated	Blue	7	
6	VS Clip bolt	Stainless steel	-	-	6	
5	O-Ring Pg21	Neoprene	-	Black	5	
4	Intermediate connecting piece 6kt Pg21	Brass	Nickel plated	-	4	
3	Intermediate connecting piece Pg21	Brass	Nickel plated	-	3	
2	HB Hood .24.Sto.1.21.Z	Aluminium	Aluminium oxide	Black	2	
1	HB Hood .24.Sto.1.21.Z	Aluminium	-	Grey	1	

THIS DRAWING IS CONTROLLED THROUGHOUT THE TYCO ELECTRONICS CORPORATION AND ALL SUBSIDIARIES AND CONTRACTORS FOR THE LATEST REVISION.

DIMENSIONS:	TOLERANCES UNLESS OTHERWISE SPECIFIED:	DWN	Schneider	12.11.1997		
mm	0.130	CHK	Schweiger	30.06.98		
	0.130	APVD				
	0.130	NAME	Hood			
	0.130	PRODUCT SPEC	HB.24.Sto.1.21.Z			
	0.130	108-74001				
	0.130	108-74003				
	0.130	APPLICATION SPEC				
	0.130	114-74001				
	0.130	114-74004				
MATERIAL	FINISH	WEIGHT	SIZE	CAGE CODE	DRAWING NO	RESTRICTED TO
			A	00779	C=1102324	-
CUSTOMER DRAW ING		SCALE	1:1	SHEET	1 OF 1	REV
						A6