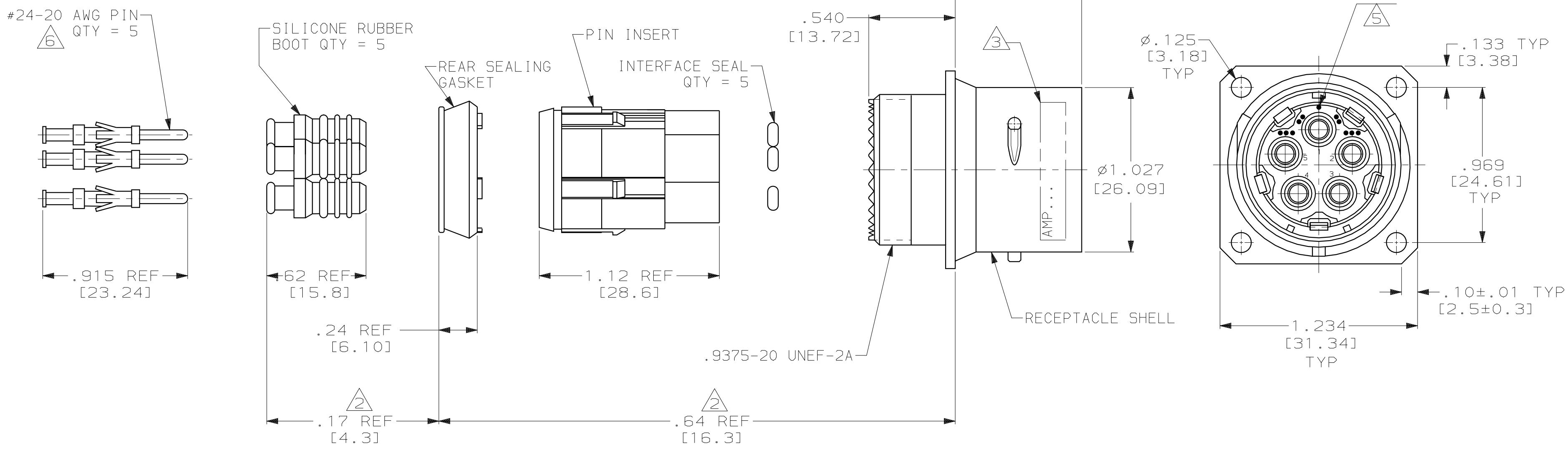


LOC	DIST	P	F	ZONE	LTR	REVISIONS	DATE	APPD
DF	50				J	REV PER 0H14-0428-04 CT	7-04	DE



- THIS RECEPTACLE REQUIRES A SIZE 16 MIL-C-38999F BACKSHELL OR EQUIVALENT STRAIN RELIEF.
- THE INDICATED DIMENSIONS APPLY AFTER ASSEMBLY. COMPLETE OVERALL DIMENSIONS AFTER ASSEMBLY DEPEND UPON THE SPECIFIC BACKSHELL OR STRAIN RELIEF USED.
- MARKED PER MIL-STD-130 USING BLACK INK. .09 [2.3] HIGH CHARS FOR -1 ONLY. .060 [1.52] HIGH CHARS FOR ALL OTHER DASH NUMBERS. SEE TABLE FOR SPECIAL MARKING.
- TO ASSEMBLE SEE INSTRUCTION SHEET #864886-3.
- SINGLE DOT POLARIZATION SHOWN FOR REFERENCE ONLY.

	BOOT SIZE	AMP INFO	CUSTOMER INFO	PART NO.
	LARGE	(00779/AMP, 864064-5) DATE CODE	-	864064-5
OBSOLETE	SMALL	(00779/AMP, 864064-4) DATE CODE	49956-848285-7B REV M	864064-4
OBSOLETE	SMALL	(00779/AMP, 864064-3) DATE CODE	49956-848285-7A REV M	864064-3
OBSOLETE	SMALL	(00779/AMP, 864064-2) DATE CODE	49956-848285-7 REV M	864064-2
	SMALL	(00779/AMP, 864064-1) DATE CODE	-	864064-1

DO NOT SCALE PRINT. UNLESS SPECIFIED DIMENSIONS IN INCHES [mm] TOLERANCES ON : 2 PLC DEC ± .02 [0.5] 3 PLC DEC ± .010 [0.25] ANGLES ± -	DR 11-19-96 C.C. THOMAS CHK 11-26-96 C. SHELLY APPD 11-26-96 C. SHELLY RLSE 11-26-96 C.C. THOMAS	<b>AMP</b> AMP Incorporated Harrisburg, PA 17105-3608 NAME RCPT KIT, 5 POSN., LGH		
MATERIAL -	PRODUCT SPEC -			
FINISH -	APPLICATION SPEC -	SIZE C	CAGE CODE 00779	DRAWING NO C=864064
	WEIGHT -	SCALE 2:1	SHEET 1 OF 1	

THIS DRAWING IS A CONTROLLED DOCUMENT FOR AMP INCORPORATED. IT IS SUBJECT TO CHANGE AND THE CONTROLLING ENGINEERING ORGANIZATION SHOULD BE CONTACTED FOR THE LATEST REVISION.