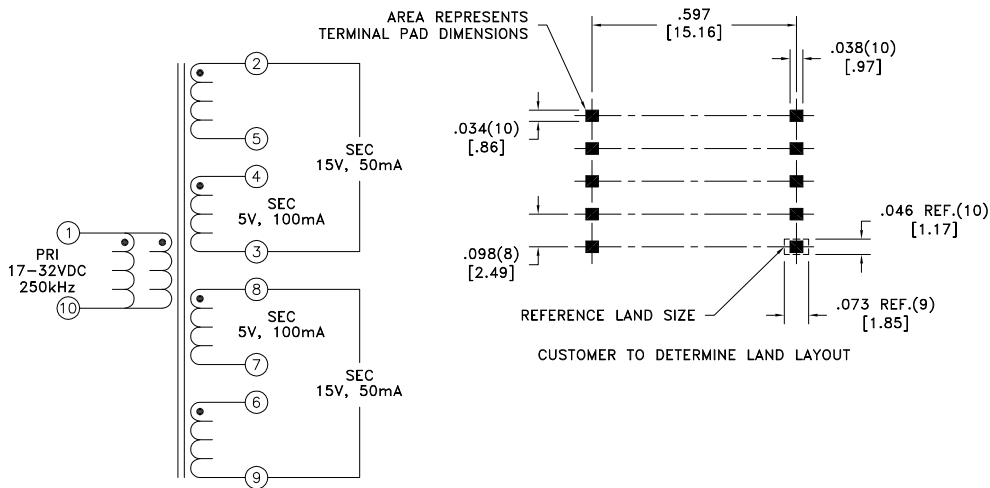
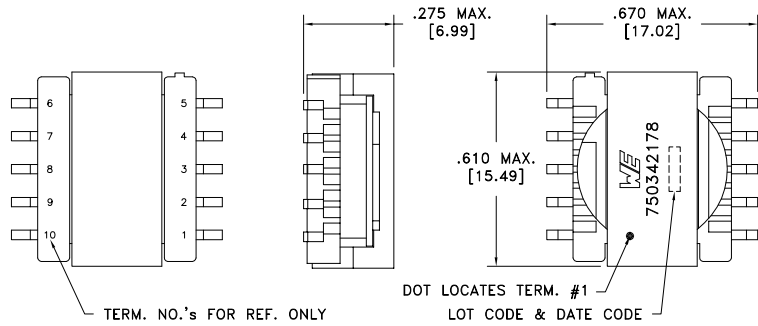


CUSTOMER TERMINAL	RoHS	LEAD(Pb)-FREE
Sn96%, Ag4%	Yes	Yes



ELECTRICAL SPECIFICATIONS @ 25°C unless otherwise noted:

PARAMETER	TEST CONDITIONS	VALUE
D.C. RESISTANCE	1-10 @20°C	0.150 ohms max.
D.C. RESISTANCE	4-3 @20°C	0.149 ohms max.
D.C. RESISTANCE	8-7 @20°C	0.149 ohms max.
D.C. RESISTANCE	4-5 tie(2+3), @20°C	0.900 ohms max.
D.C. RESISTANCE	6-7 tie(8+9), @20°C	0.900 ohms max.
INDUCTANCE	1-10 10kHz, 100mVAC, Ls	50.0uH ±10%
SATURATION CURRENT	20% rolloff from initial	1.5A
LEAKAGE INDUCTANCE	1-10 tie(2+3+4+5+6+7+8+9), 100kHz, 100mVAC, Ls	2.0uH max.
DIELECTRIC	1-7 tie(4+5+6+7), 1500VAC, 1 second	-
URNS RATIO	(1-10):(4-3)	1.55:1, ±2%
URNS RATIO	(1-10):(8-7)	1.55:1, ±2%
URNS RATIO	(6-7):(1-10), tie(8+9)	1.935:1, ±2%
URNS RATIO	(4-5):(1-10), tie(2+3)	1.935:1, ±2%

GENERAL SPECIFICATIONS:

OPERATING TEMPERATURE RANGE: -40°C to +125°C including temp rise.

Wire insulation & RoHS status not affected by wire color.
Wire insulation color may vary depending on availability.

DETAILS SUBJECT TO CHANGE

REV.	DATE	Packaging Specifications Method: Tape & Reel PKG-0137 www.we-online.com/midcom		Tolerances unless otherwise specified: Angles: ±1° Fractions: ±1/64 Decimals: ±.005 [.13] Footprint: ±.005 [.13]	DRAWING TITLE TRANSFORMER	PART NO. 750342178
6A	3/14	SEE REVISION SHEET FOR REVISION LEVEL		This drawing is dual dimensioned. Dimensions in brackets are in millimeters.	eiSos p/n: 750342178	SPECIFICATION SHEET 1 OF 1