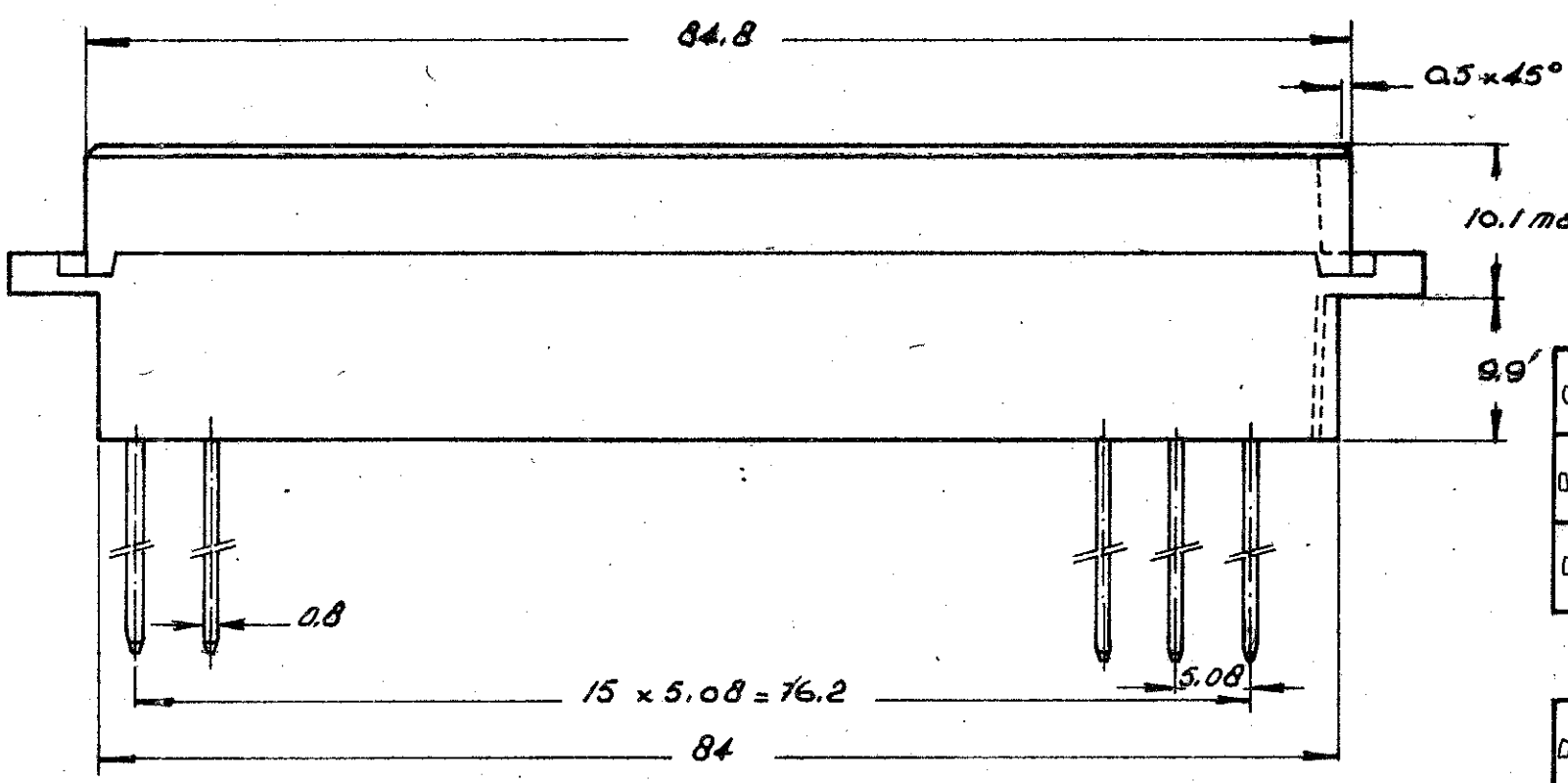
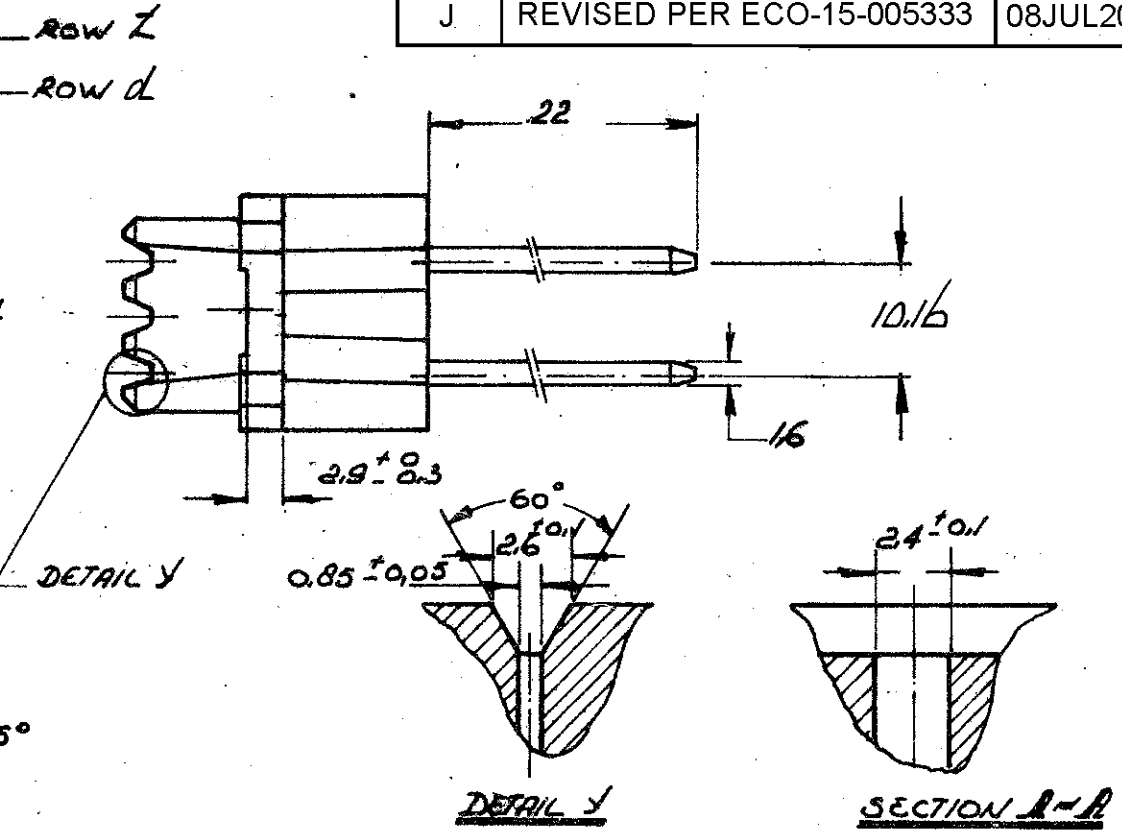
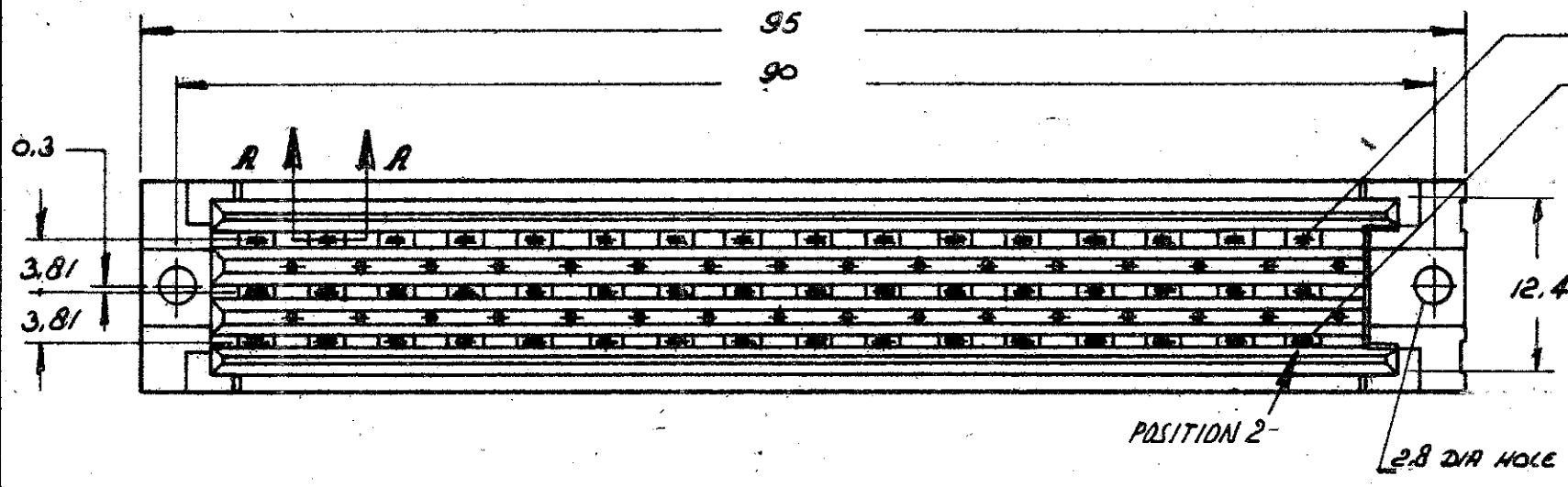


LTR	REVISION RECORD	DATE	DWN	APVD
J	REVISED PER ECO-15-005333	08JUL2015	AP	RP



OBSOLETE	2-164430-8	HOUSING : CLASSIFIED POLYCARBONATE (GREY) CONTACTS : PHOSPHOR BRONZE.	AT CONTACT AREA: EIC 60603-2 PERFORMANCE LEVEL III OVER NICKEL. AT POST AREA: GOLD FLASH OVER NICKEL.
OBSOLETE	2-164430-7		AT CONTACT AREA: 2.0 µm Au OVER 1.25 µm Ni. AT POST AREA: GOLD FLASH OVER 1.25 µm Ni.
OBSOLETE	2-164430-6		AT CONTACT AREA: 3.75 µm Au OVER 1.25 µm Ni. AT POST AREA: GOLD FLASH OVER 1.25 µm Ni.
	2-164430-4		AT CONTACT AREA: EIC 60603-2 PERFORMANCE LEVEL II OVER NICKEL. AT POST AREA: GOLD FLASH OVER NICKEL.
OBSOLETE	2-164430-1		AT CONTACT AREA: EIC 60603-2 PERFORMANCE LEVEL I OVER NICKEL. AT POST AREA: GOLD FLASH OVER NICKEL.

AN ASTERISK * DENOTES A CONTACT.

CONTACT NO.	1	2	3	4	5	6	7	8	9	10	11	12	13	14	15	16	17	18	19	20	21	22	23	24	25	26	27	28	29	30	31	32		
ROW Z	X	X	X	X	X	X	X	X	X	X	X	X	X	X	X	X	X	X	X	X	X	X	X	X	X	X	X	X	X	X	X	X	X	
ROW b
ROW d	X	X	X	X	X	X	X	X	X	X	X	X	X	X	X	X	X	X	X	X	X	X	X	X	X	X	X	X	X	X	X	X	X	

NUMBER C-164430	CUSTOMER COPY FOR REFERENCE ONLY			
	DR	DATE	©1982 BY AMP-HOLLAND N.V. ALL RIGHTS RESERVED A-MP PRODUCTS COVERED BY PATENTS AND/OR PATENTS PENDING.	
	CHK	DATE	 TE Connectivity	
	DE	DATE		
	APP	DATE		
	M. GRUNSUN 7-12-82		J. GIBBELS 9 JULY 1997	
WIRE RANGE	INSUL RANGE	FIRST USED	SCALE	
			SIZE NO B C-164430	
NAME 32 POS. FEMALE RC. CONN. ACC. TO DIN 41612, WITH STANDARD TERMINAL POINT POSTS				

DIMENSIONS IN MM. DO NOT SCALE PRINT