



MICROCHIP

MCP6421
Electromagnetic Interference
Rejection Ratio
Evaluation Board
User's Guide

Note the following details of the code protection feature on Microchip devices:

- Microchip products meet the specification contained in their particular Microchip Data Sheet.
- Microchip believes that its family of products is one of the most secure families of its kind on the market today, when used in the intended manner and under normal conditions.
- There are dishonest and possibly illegal methods used to breach the code protection feature. All of these methods, to our knowledge, require using the Microchip products in a manner outside the operating specifications contained in Microchip's Data Sheets. Most likely, the person doing so is engaged in theft of intellectual property.
- Microchip is willing to work with the customer who is concerned about the integrity of their code.
- Neither Microchip nor any other semiconductor manufacturer can guarantee the security of their code. Code protection does not mean that we are guaranteeing the product as "unbreakable."

Code protection is constantly evolving. We at Microchip are committed to continuously improving the code protection features of our products. Attempts to break Microchip's code protection feature may be a violation of the Digital Millennium Copyright Act. If such acts allow unauthorized access to your software or other copyrighted work, you may have a right to sue for relief under that Act.

Information contained in this publication regarding device applications and the like is provided only for your convenience and may be superseded by updates. It is your responsibility to ensure that your application meets with your specifications. MICROCHIP MAKES NO REPRESENTATIONS OR WARRANTIES OF ANY KIND WHETHER EXPRESS OR IMPLIED, WRITTEN OR ORAL, STATUTORY OR OTHERWISE, RELATED TO THE INFORMATION, INCLUDING BUT NOT LIMITED TO ITS CONDITION, QUALITY, PERFORMANCE, MERCHANTABILITY OR FITNESS FOR PURPOSE. Microchip disclaims all liability arising from this information and its use. Use of Microchip devices in life support and/or safety applications is entirely at the buyer's risk, and the buyer agrees to defend, indemnify and hold harmless Microchip from any and all damages, claims, suits, or expenses resulting from such use. No licenses are conveyed, implicitly or otherwise, under any Microchip intellectual property rights.

Trademarks

The Microchip name and logo, the Microchip logo, dsPIC, FlashFlex, KEELOQ, KEELOQ logo, MPLAB, PIC, PICmicro, PICSTART, PIC³² logo, rfPIC, SST, SST Logo, SuperFlash and UNI/O are registered trademarks of Microchip Technology Incorporated in the U.S.A. and other countries.

FilterLab, Hampshire, HI-TECH C, Linear Active Thermistor, MTP, SEEVAL and The Embedded Control Solutions Company are registered trademarks of Microchip Technology Incorporated in the U.S.A.

Silicon Storage Technology is a registered trademark of Microchip Technology Inc. in other countries.


Analog-for-the-Digital Age, Application Maestro, BodyCom, chipKIT, chipKIT logo, CodeGuard, dsPICDEM, dsPICDEM.net, dsPICworks, dsSPEAK, ECAN, ECONOMONITOR, FanSense, HI-TIDE, In-Circuit Serial Programming, ICSP, Mindi, MiWi, MPASM, MPF, MPLAB Certified logo, MPLIB, MPLINK, mTouch, Omniscent Code Generation, PICC, PICC-18, PICDEM, PICDEM.net, PICkit, PICtail, REAL ICE, rLAB, Select Mode, SQI, Serial Quad I/O, Total Endurance, TSHARC, UniWinDriver, WiperLock, ZENA and Z-Scale are trademarks of Microchip Technology Incorporated in the U.S.A. and other countries.

SQTP is a service mark of Microchip Technology Incorporated in the U.S.A.

GestIC and ULPP are registered trademarks of Microchip Technology Germany II GmbH & Co. KG, a subsidiary of Microchip Technology Inc., in other countries.

All other trademarks mentioned herein are property of their respective companies.

© 2013, Microchip Technology Incorporated, Printed in the U.S.A., All Rights Reserved.

 Printed on recycled paper.

ISBN: 978-1-62077-381-9

**QUALITY MANAGEMENT SYSTEM
CERTIFIED BY DNV
= ISO/TS 16949 =**

Microchip received ISO/TS-16949:2009 certification for its worldwide headquarters, design and wafer fabrication facilities in Chandler and Tempe, Arizona; Gresham, Oregon and design centers in California and India. The Company's quality system processes and procedures are for its PIC[®] MCUs and dsPIC[®] DSCs, KEELOQ[®] code hopping devices, Serial EEPROMs, microperipherals, nonvolatile memory and analog products. In addition, Microchip's quality system for the design and manufacture of development systems is ISO 9001:2000 certified.

MCP6421 EMIRR Evaluation Board User's Guide

Object of Declaration: MCP6421 EMIRR Evaluation Board

EU Declaration of Conformity

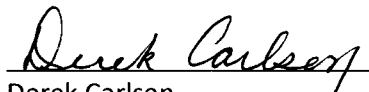
This declaration of conformity is issued by the manufacturer.

The development/evaluation tool is designed to be used for research and development in a laboratory environment. This development/evaluation tool is not a Finished Appliance, nor is it intended for incorporation into Finished Appliances that are made commercially available as single functional units to end users under EU EMC Directive 2004/108/EC and as supported by the European Commission's Guide for the EMC Directive 2004/108/EC (8th February 2010).

This development/evaluation tool complies with EU RoHS2 Directive 2011/65/EU.

For information regarding the exclusive, limited warranties applicable to Microchip products, please see Microchip's standard terms and conditions of sale, which are printed on our sales documentation and available at www.microchip.com.

Signed for and on behalf of Microchip Technology Inc. at Chandler, Arizona, USA



Derek Carlson

VP Development Tools



Date

MCP6421 EMIRR Evaluation Board User's Guide

NOTES:



MCP6421 EMIRR EVALUATION BOARD USER'S GUIDE

Table of Contents

Preface	7
Introduction.....	7
Document Layout	7
Conventions Used in this Guide	8
Recommended Reading.....	9
The Microchip Web Site	9
Customer Support	9
Document Revision History	9
Chapter 1. Product Overview	
1.1 Introduction	11
1.2 MCP6421 EMIRR Evaluation Board Description	11
1.3 MCP6421 EMIRR Evaluation Board Kit Contents	12
Chapter 2. Installation and Operation	
2.1 Introduction	13
2.2 Required Tools	13
2.3 MCP6421 EMIRR Evaluation Board Setup	13
2.4 MCP6421 EMIRR Evaluation Board Operation	17
Appendix A. Schematic and Layouts	
A.1 Introduction	19
A.2 Board – Schematic	20
A.3 Board – Top Silk	21
A.4 Board – Top Copper and Silk	21
A.5 Board – Top Copper	22
A.6 Board – Bottom Copper and Silk	22
A.7 Board – Bottom Silk	23
Appendix B. Bill of Materials (BOM)	
Worldwide Sales and Service	26

NOTES:

Preface

NOTICE TO CUSTOMERS

All documentation becomes dated, and this manual is no exception. Microchip tools and documentation are constantly evolving to meet customer needs, so some actual dialogs and/or tool descriptions may differ from those in this document. Please refer to our web site (www.microchip.com) to obtain the latest documentation available.

Documents are identified with a “DS” number. This number is located on the bottom of each page, in front of the page number. The numbering convention for the DS number is “DSXXXXA”, where “XXXX” is the document number and “A” is the revision level of the document.

For the most up-to-date information on development tools, see the MPLAB® IDE online help. Select the Help menu, and then Topics to open a list of available online help files.

INTRODUCTION

This chapter contains general information that will be useful to know before using the MCP6421 EMIRR Evaluation Board. Items discussed in this chapter include:

- Document Layout
- Conventions Used in this Guide
- Recommended Reading
- The Microchip Web Site
- Customer Support
- Document Revision History

DOCUMENT LAYOUT

This document describes how to use the MCP6421 EMIRR Evaluation Board as a development tool to emulate and debug firmware on a target board. The manual layout is as follows:

- **Chapter 1. “Product Overview”** – Important information about the MCP6421 EMIRR Evaluation Board.
- **Chapter 2. “Installation and Operation”** – Includes instructions on how to set up and operate the MCP6421 EMIRR Evaluation Board.
- **Appendix A. “Schematic and Layouts”** – Shows the schematic and layout diagrams for the MCP6421 EMIRR Evaluation Board.
- **Appendix B. “Bill of Materials (BOM)”** – Lists the parts used to build the MCP6421 EMIRR Evaluation Board.

CONVENTIONS USED IN THIS GUIDE

This manual uses the following documentation conventions:

DOCUMENTATION CONVENTIONS

Description	Represents	Examples
Arial font:		
Italic characters	Referenced books	<i>MPLAB[®] IDE User's Guide</i>
	Emphasized text	...is the <i>only</i> compiler...
Initial caps	A window	the Output window
	A dialog	the Settings dialog
	A menu selection	select Enable Programmer
Quotes	A field name in a window or dialog	"Save project before build"
Underlined, italic text with right angle bracket	A menu path	<u><i>File>Save</i></u>
Bold characters	A dialog button	Click OK
	A tab	Click the Power tab
N'Rnnnn	A number in verilog format, where N is the total number of digits, R is the radix and n is a digit.	4'b0010, 2'hF1
Text in angle brackets < >	A key on the keyboard	Press <Enter>, <F1>
Courier New font:		
Plain Courier New	Sample source code	#define START
	Filenames	autoexec.bat
	File paths	c:\mcc18\h
	Keywords	_asm, _endasm, static
	Command-line options	-Opa+, -Opa-
	Bit values	0, 1
	Constants	0xFF, 'A'
Italic Courier New	A variable argument	<i>file.o</i> , where <i>file</i> can be any valid filename
Square brackets []	Optional arguments	mcc18 [options] <i>file</i> [options]
Curly brackets and pipe character: { }	Choice of mutually exclusive arguments; an OR selection	errorlevel {0 1}
Ellipses...	Replaces repeated text	var_name [, var_name...]
	Represents code supplied by user	void main (void) { ... }

MCP6421 EMIRR Evaluation Board User's Guide

RECOMMENDED READING

This user's guide describes how to use MCP6421 EMIRR Evaluation Board. Other useful documents are listed below. The following Microchip document is available and recommended as a supplemental reference resource.

- **MCP6421 Data Sheet – “4.4 μ A, 90 kHz Op Amp” (DS25165)**

THE MICROCHIP WEB SITE

Microchip provides online support via our web site at www.microchip.com. This web site is used as a means to make files and information easily available to customers. Accessible by using your favorite Internet browser, the web site contains the following information:

- **Product Support** – Data sheets and errata, application notes and sample programs, design resources, user's guides and hardware support documents, latest software releases and archived software
- **General Technical Support** – Frequently Asked Questions (FAQs), technical support requests, online discussion groups, Microchip consultant program member listing
- **Business of Microchip** – Product selector and ordering guides, latest Microchip press releases, listing of seminars and events, listings of Microchip sales offices, distributors and factory representatives

CUSTOMER SUPPORT

Users of Microchip products can receive assistance through several channels:

- Distributor or Representative
- Local Sales Office
- Field Application Engineer (FAE)
- Technical Support

Customers should contact their distributor, representative or field application engineer (FAE) for support. Local sales offices are also available to help customers. A listing of sales offices and locations is included in the back of this document.

Technical support is available through the web site at:
<http://www.microchip.com/support>

DOCUMENT REVISION HISTORY

Revision A (August 2013)

- Initial Release of this Document.

NOTES:

Chapter 1. Product Overview

1.1 INTRODUCTION

The MCP6421 EMIRR Evaluation Board is described as follows:

- Assembly #: ADM00443
- Order #: MCP6421EV-EMIRR
- Name: MCP6421 EMIRR Evaluation Board

Items discussed in this chapter include:

- MCP6421 EMIRR Evaluation Board Description
- MCP6421 EMIRR Evaluation Board Kit Contents

1.2 MCP6421 EMIRR EVALUATION BOARD DESCRIPTION

The MCP6421 EMIRR Evaluation Board is intended to support the electromagnetic interference rejection ratio (EMIRR) measurement and to show the electromagnetic interference (EMI) rejection capability of the MCP6421 operational amplifier.

The MCP6421 EMIRR Evaluation Board has the following features:

- All of the component labels on the board are consistent with those on the schematic
- Supports the MCP6421 single op amp SC70-5 package from Microchip Technology, Inc.
- Test points for connection to lab equipment
- Single supply or dual-supply configuration

Figure 1-1 shows the block diagram of the MCP6421 EMIRR Evaluation Board. Lab equipment can be attached (via test points) to measure the EMIRR response.

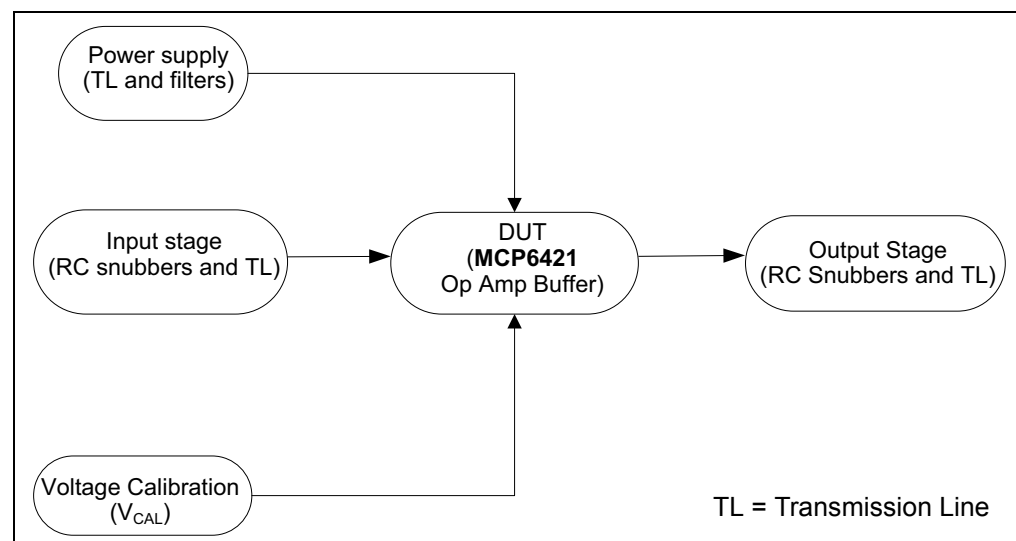


FIGURE 1-1: MCP6421 EMIRR Evaluation Board – Block Diagram.

1.3 MCP6421 EMIRR EVALUATION BOARD KIT CONTENTS

This MCP6421 EMIRR Evaluation Board kit includes:

- MCP6421 EMIRR Evaluation Board (ADM00443)
- Important Information Sheet



FIGURE 1-2: MCP6421 EMIRR Evaluation Board.

Chapter 2. Installation and Operation

2.1 INTRODUCTION

This chapter shows how to set up the MCP6421EMIRR Evaluation Board. Topics discussed in this chapter include:

- Required Tools
- MCP6421 EMIRR Evaluation Board Setup
- MCP6421 EMIRR Evaluation Board Operation

2.2 REQUIRED TOOLS

The following tools are required for testing the functionality of the board:

- Lab power supply
- High-frequency function generator
- Lab measurement equipment (e.g., network analyzer)

2.3 MCP6421 EMIRR EVALUATION BOARD SETUP

The MCP6421 EMIRR Evaluation Board uses a single op amp in buffer configuration with RC snubbers as terminations. [Figure 2-1](#) shows the circuit diagram for the board.

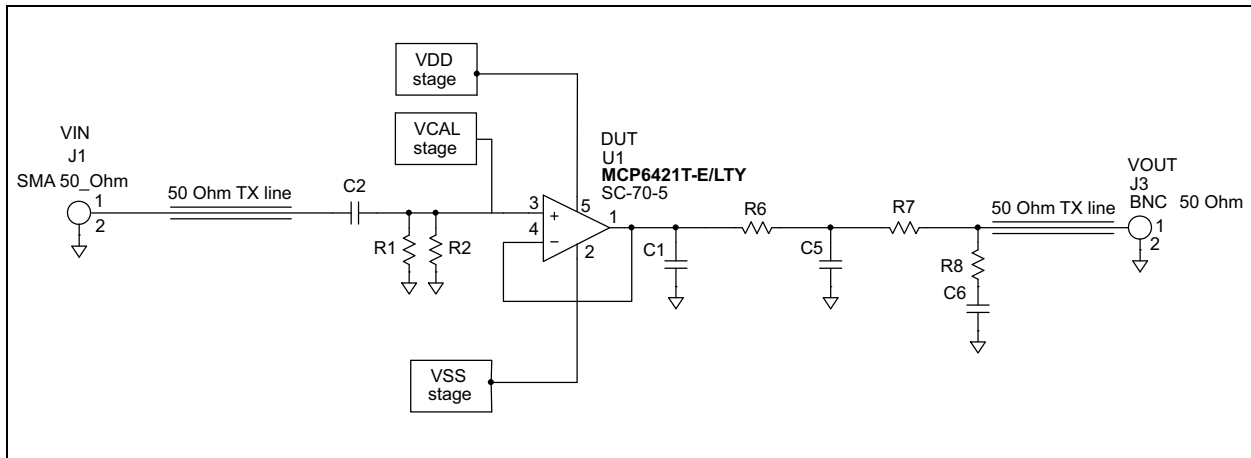


FIGURE 2-1: MCP6421 EMIRR Evaluation Board Circuit Diagram.

The power supply voltage needs to be within the allowed range for the op amp. The MCP6421 op amp supports a maximum of 5.5V power supply. Power supply is ensured by a 50Ω transmission line and by LC filters to minimize noise injection (see [Figure 2-3](#)).

All component labels on the board are consistent with those on the schematic. The op amp uses the SC70-5 package.

Installation and Operation

The BNC and SMA connectors for the power supply, ground, input signals, output signals, and voltage calibration allow the lab equipment to be connected to the board. The MCP6421 EMIRR Evaluation Board top view is shown in [Figure 2-2](#).

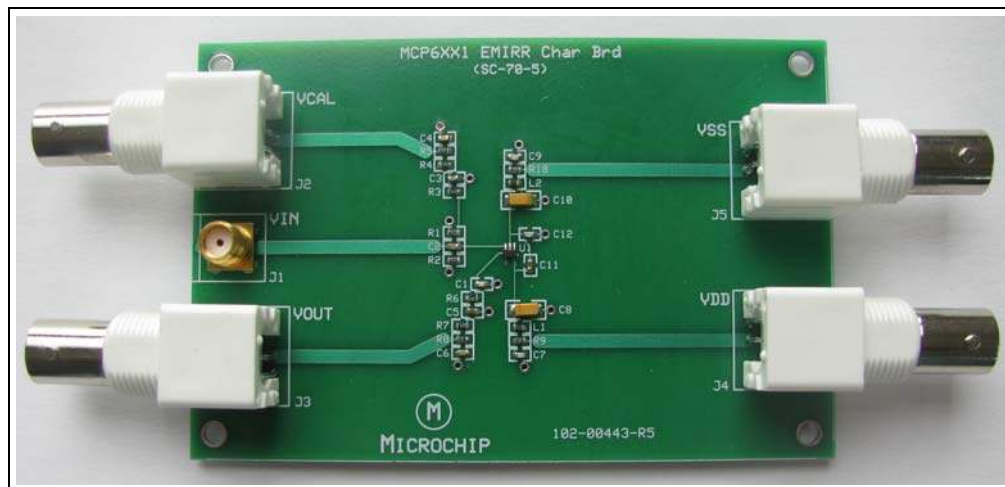


FIGURE 2-2: MCP6421 EMIRR Evaluation Board Top View.

2.3.1 Top Level Amplifier Circuit Diagram

2.3.1.1 POWER SUPPLY BLOCK

The op amp is biased by a 50 Ω transmission line, RC snubbers and LC low-pass filter to reject high-frequency power supply noise. [Figure 2-3](#) shows the circuit diagram for the power supply, where $R9 = R10 = 49.9\Omega$, $C7 = C9 = C12 = 100$ pF, $C8 = C10 = 10$ μ F, $C11 = 100$ nF and $L1 = L2 = 470\Omega$ ferrite.

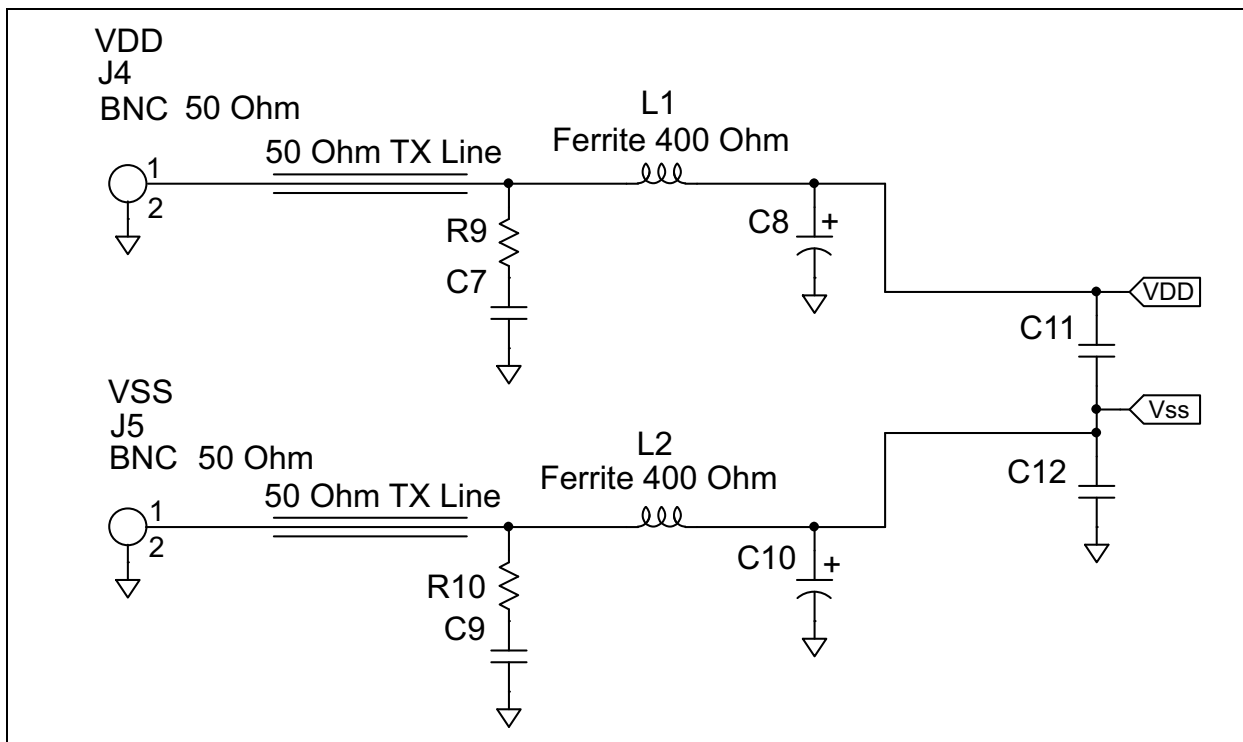


FIGURE 2-3: Circuit Diagram for Power Supply.

MCP6421 EMIRR Evaluation Board User's Guide

2.3.1.2 INPUT STAGE

The input section consists of a 50Ω transmission line to match the output impedance of the signal generator and a capacitor to couple AC signal and two parallel resistors that give 50Ω input impedance at the op amp input. The AC coupled input signal minimizes changes in the DC input offset. Figure 2-4 shows the circuit diagram for the input section ($R1 = R2 = 100\Omega$, $C2 = 10\text{ nF}$).

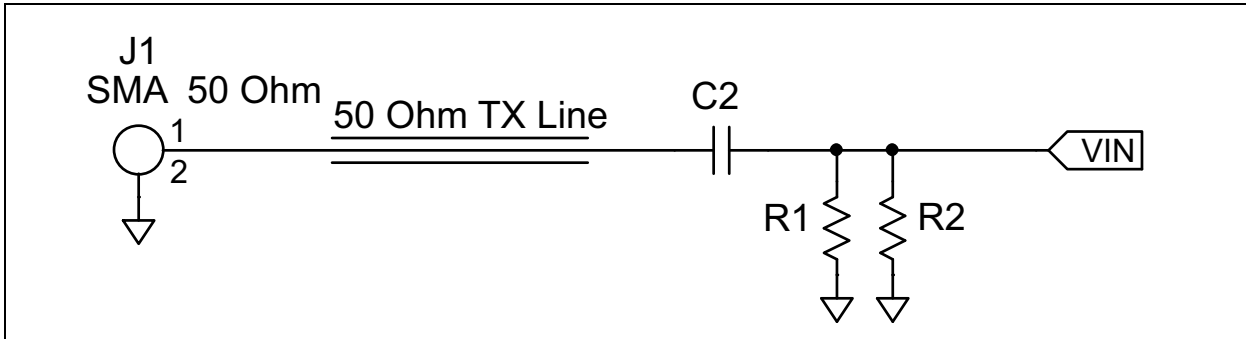


FIGURE 2-4: Input Stage Block.

2.3.1.3 OUTPUT STAGE

The output section consists of a 50Ω transmission line to match the input of the network analyzer and to minimize the inductance, antenna effects and disturbance effects, and a double pole RC low-pass filter to minimize DC loading and crosstalk. Figure 2-5 shows the circuit diagram of the output section ($R6 = R7 = 10\text{ k}\Omega$, $R8 = 49.9\Omega$, $C5 = 100\text{ nF}$, $C6 = 10\text{ nF}$).

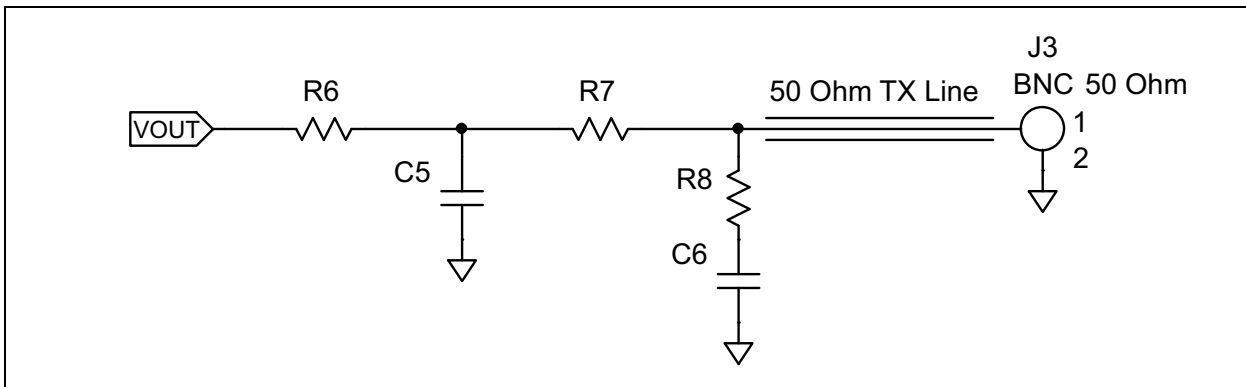


FIGURE 2-5: Output Stage Block.

2.3.1.4 CALIBRATION STAGE

The calibration stage consists of a 50Ω transmission line and a double pole RC low-pass filter, and is the same as the output stage. The calibration stage provides a DC output from V_{IN} , after the coupling capacitor, measuring the op amp offset without input signal. Measure the 2nd harmonic distortion (HD2) for the AC source to offset conversion versus frequency and power without populating the op amp, and correct the DC output from V_{OUT} using both calibration measurements. Figure 2-6 shows the circuit diagram of the calibration stage ($C4 = 10$ nF, $C3 = 100$ nF, $R5 = 49.9\Omega$ and $R3 = R4 = 10$ kΩ).

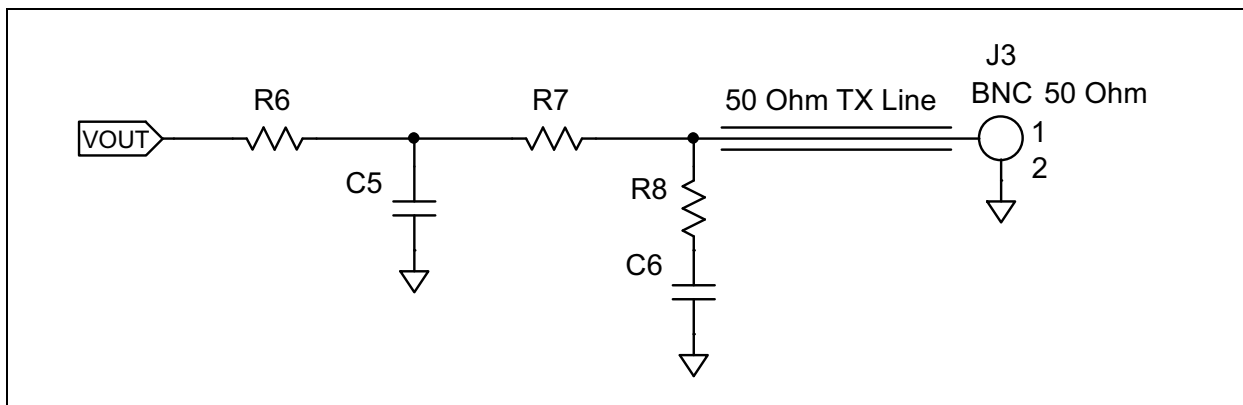


FIGURE 2-6: Circuit Diagram for Calibration Stage.

2.3.1.5 DEVICE UNDER TEST (DUT) STAGE

The DUT block consists of an op amp in buffer configuration with one capacitor on the output. Figure 2-7 shows the circuit diagram of the DUT buffer block. The output capacitor ($C1 = 22$ pF) and parasitic layout capacitance present an output capacitive load of about 30 pF (standard condition for the data sheet specs).

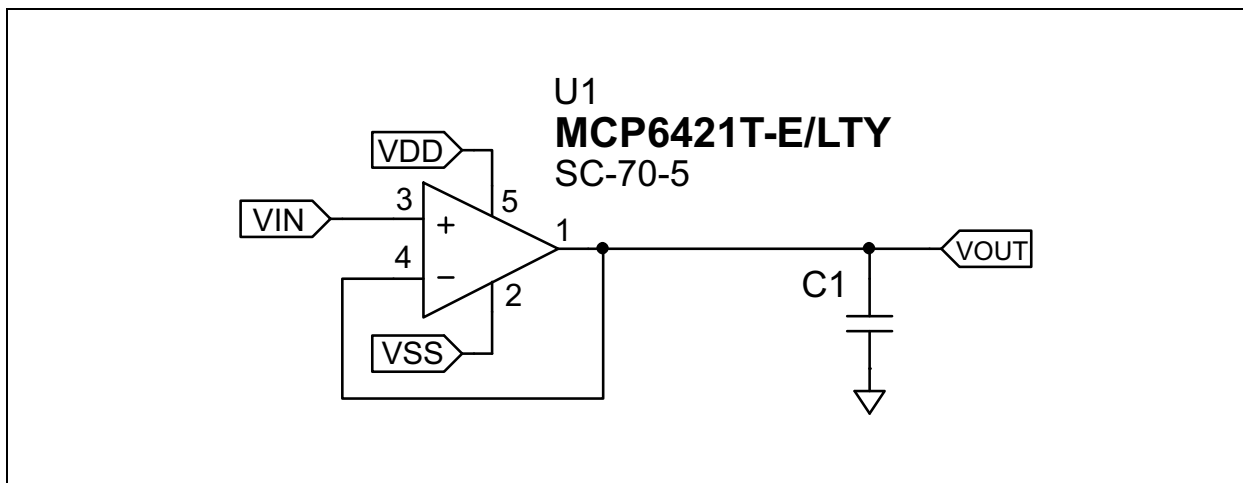


FIGURE 2-7: Circuit Diagram for Device Under Test Buffer Block.

MCP6421 EMIRR Evaluation Board User's Guide

2.4 MCP6421 EMIRR EVALUATION BOARD OPERATION

2.4.1 Testing the Amplifier

2.4.1.1 CHECKING THE COAX CONNECTORS

The coax connectors for the power supply, ground, input signals and output signals allow lab equipment to be connected to the board. Figure 2-8 shows the coax connectors to be checked.

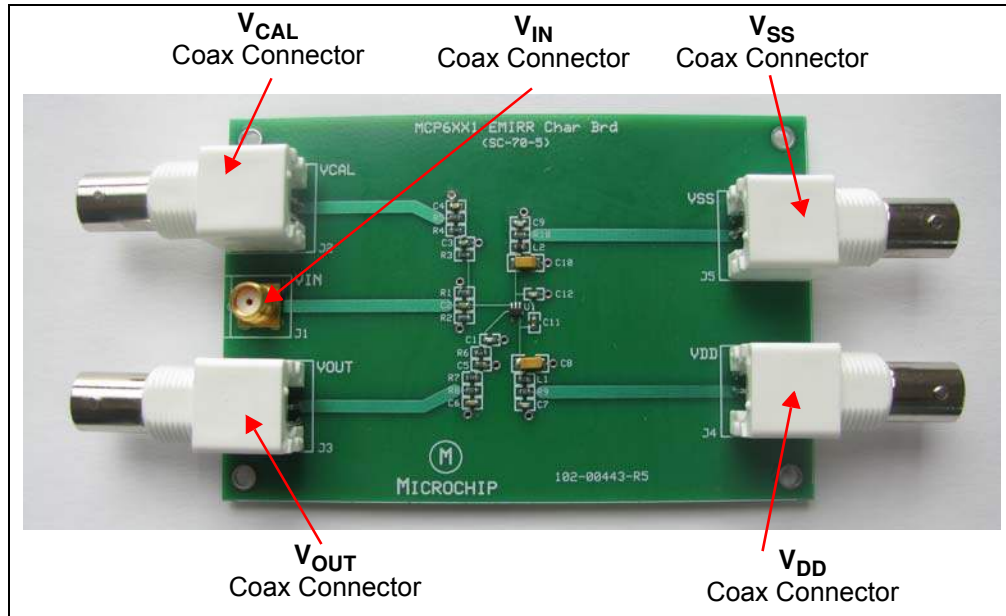


FIGURE 2-8: Check-in Coax Connectors.

2.4.1.2 BOARD VALIDATION

This board was built, and its responses were measured. All resistors have 1% tolerance. The capacitors have 5% and 10% tolerance.

2.4.1.2.1 Measurements Results

In Bench Measurement:

- $V_{DD} = 5.5V$
- V_{CAL}
- The amplifier's gain is 1 V/V

Measure the EMIRR versus frequency. The level of the input signal is 100 mVpp.

Measure the EMIRR as function of the level of the input signal. The frequency of the input signal needs to have the following values: 400 MHz, 900 MHz, 1800 MHz, 2400 MHz.

The EMIRR definition is:

EQUATION 2-1:

$$EMIRR(dB) = 20 \cdot \log\left(\frac{V_{RF}}{\Delta V_{OS}}\right)$$

Where:

- V_{RF} = Peak Amplitude of RF Interfering signal (V_{PK})
- ΔV_{OS} = Input Offset Voltage Shift (V)

Installation and Operation

Figure 2-9 shows the result of EMIRR versus frequency.

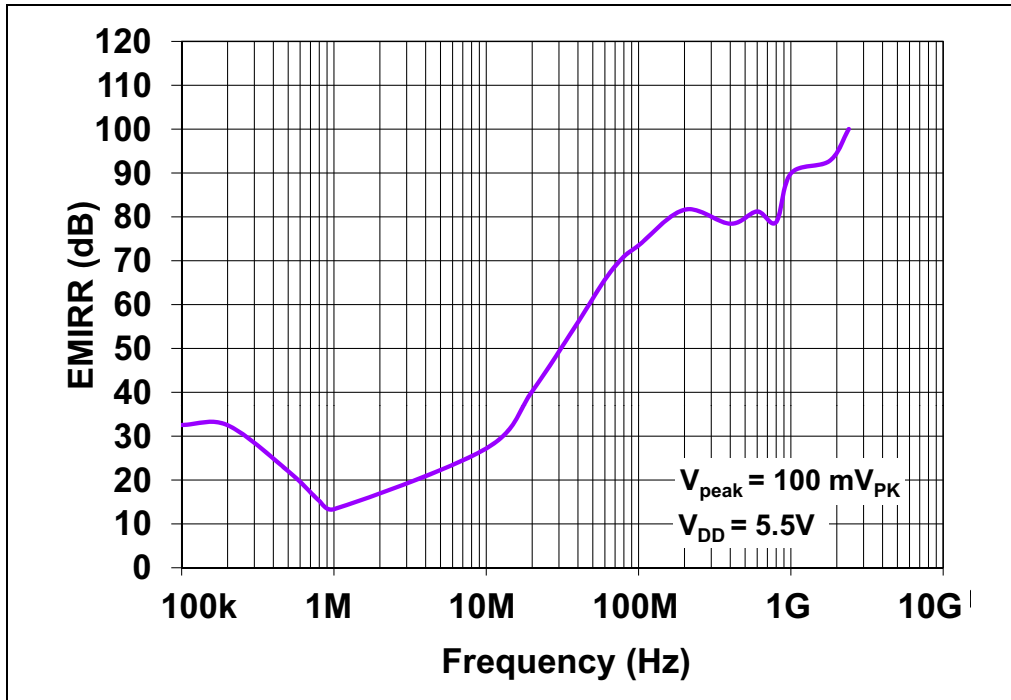


FIGURE 2-9: Measurement of EMIRR versus Frequency.

Figure 2-10 shows the result of EMIRR versus RF input peak voltage.

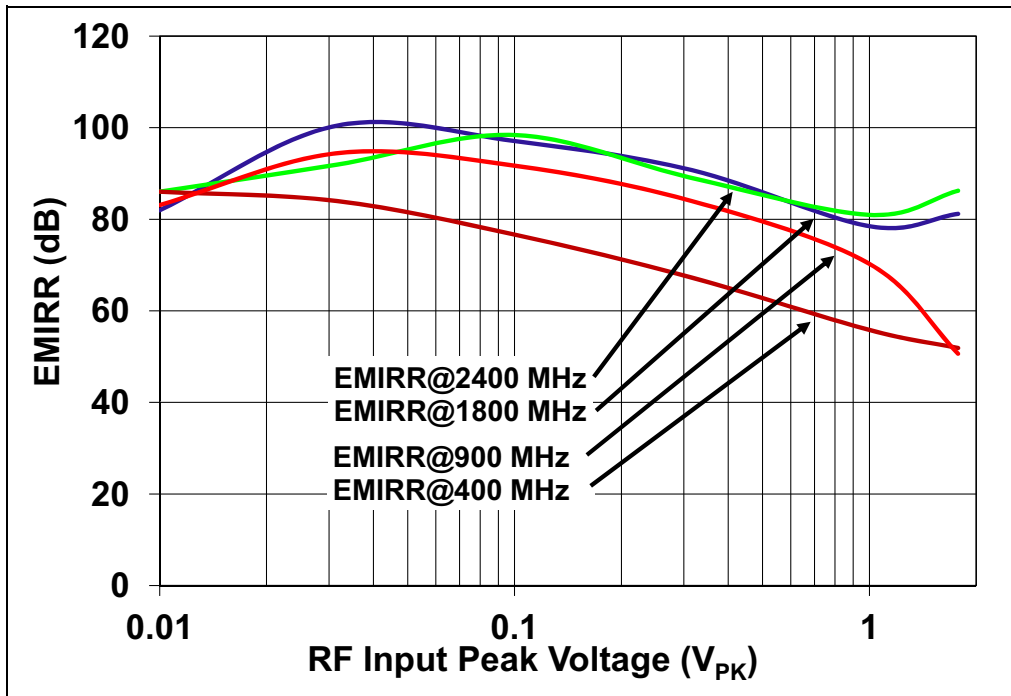


FIGURE 2-10: Measurement of EMIRR versus RF Input Peak Voltage.



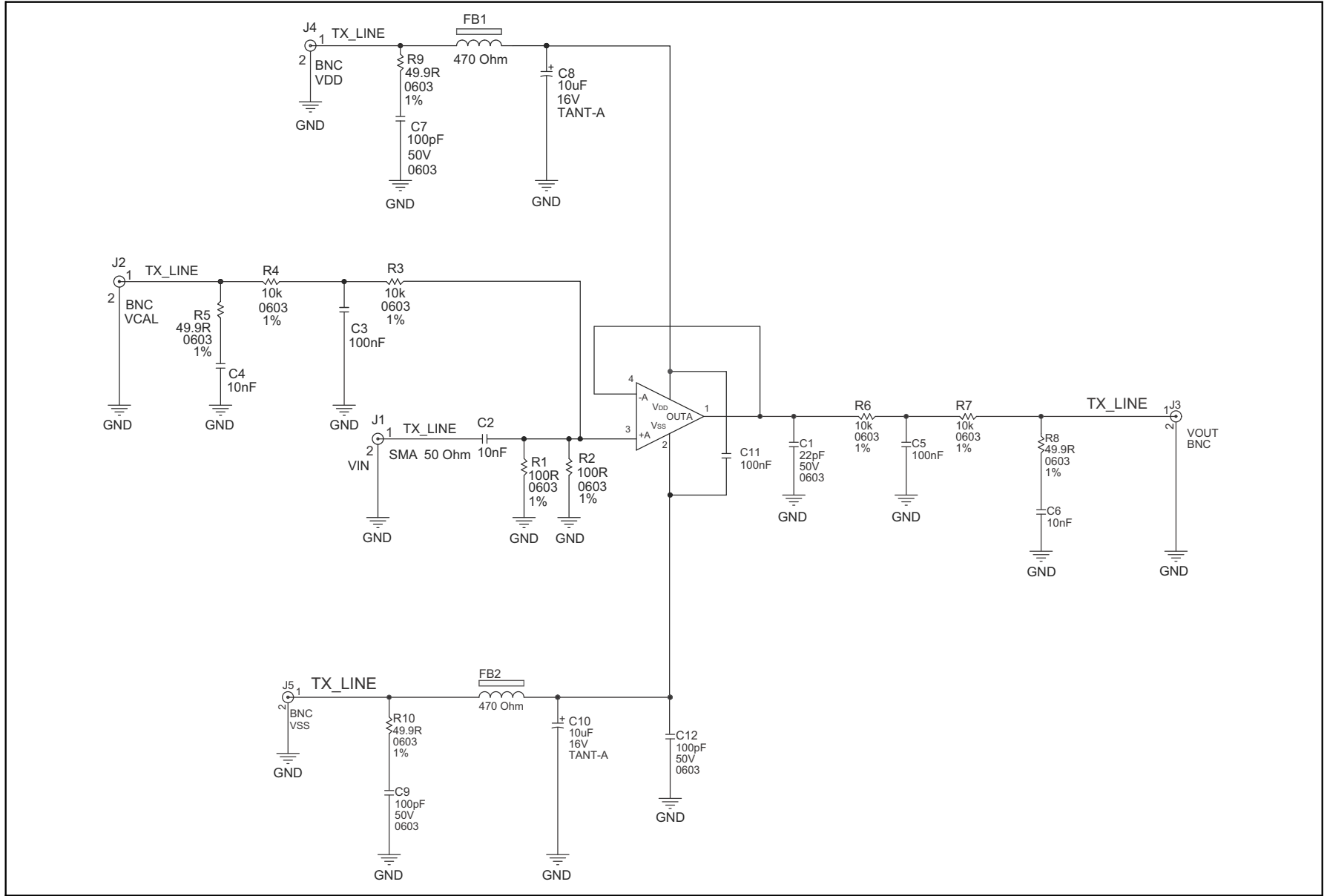
Appendix A. Schematic and Layouts

A.1 INTRODUCTION

This appendix contains the following schematics and layouts for the MCP6421 EMIRR Evaluation Board:

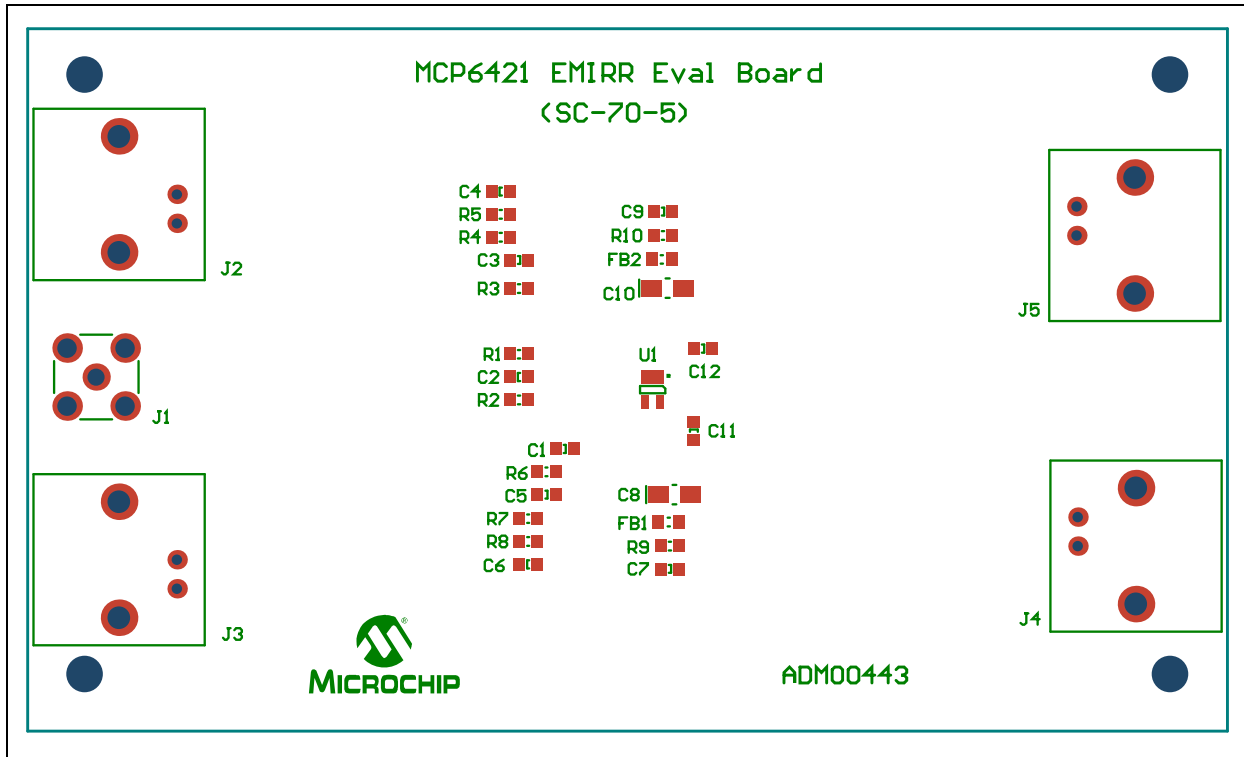
- Board – Schematic
- Board – Top Silk
- Board – Top Copper and Silk
- Board – Top Copper
- Board – Bottom Copper and Silk
- Board – Bottom Silk

A.2 BOARD – SCHEMATIC

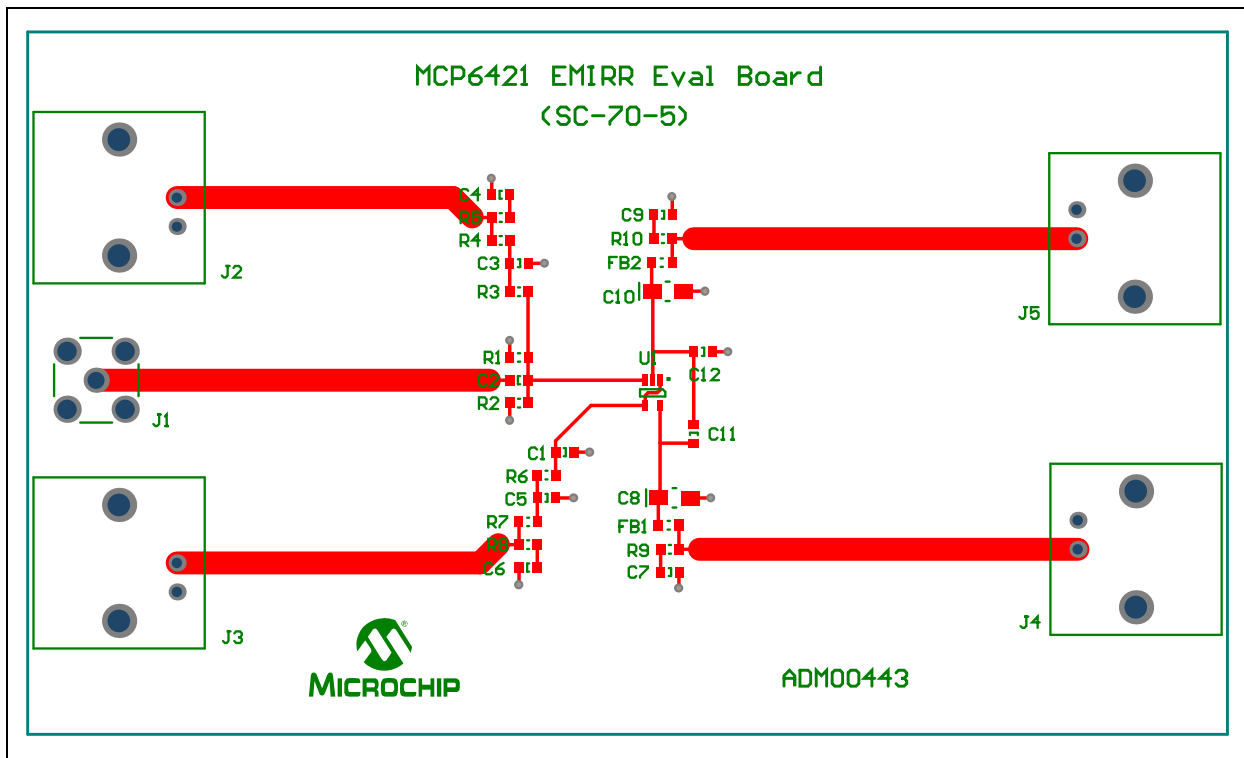


MCP6421 EMIRR Evaluation Board User's Guide

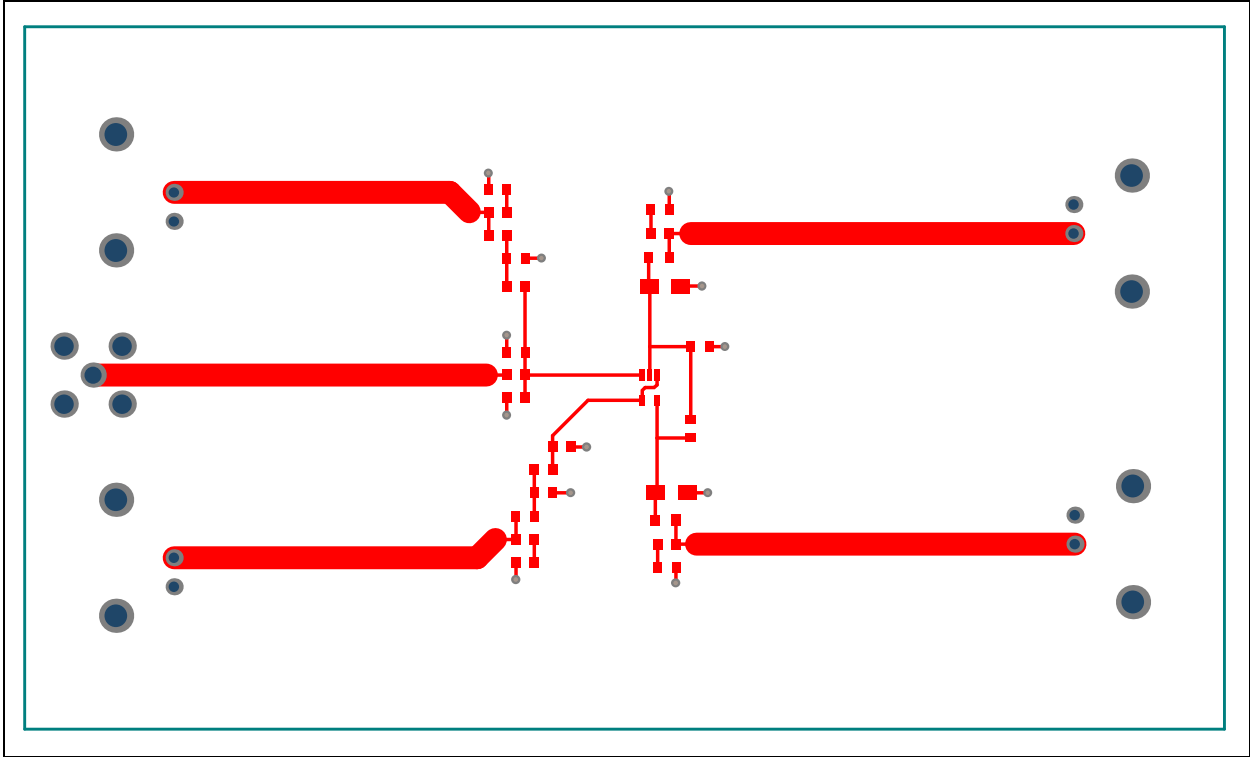
A.3 BOARD – TOP SILK



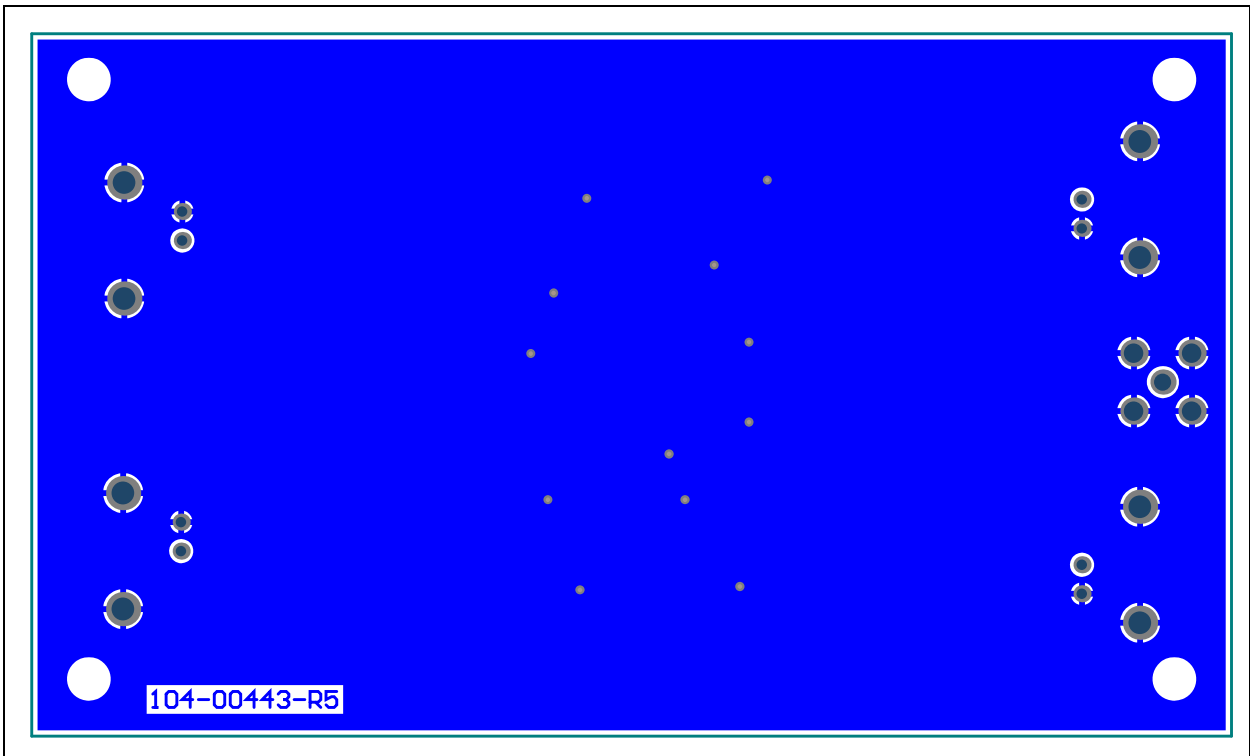
A.4 BOARD – TOP COPPER AND SILK



A.5 BOARD – TOP COPPER

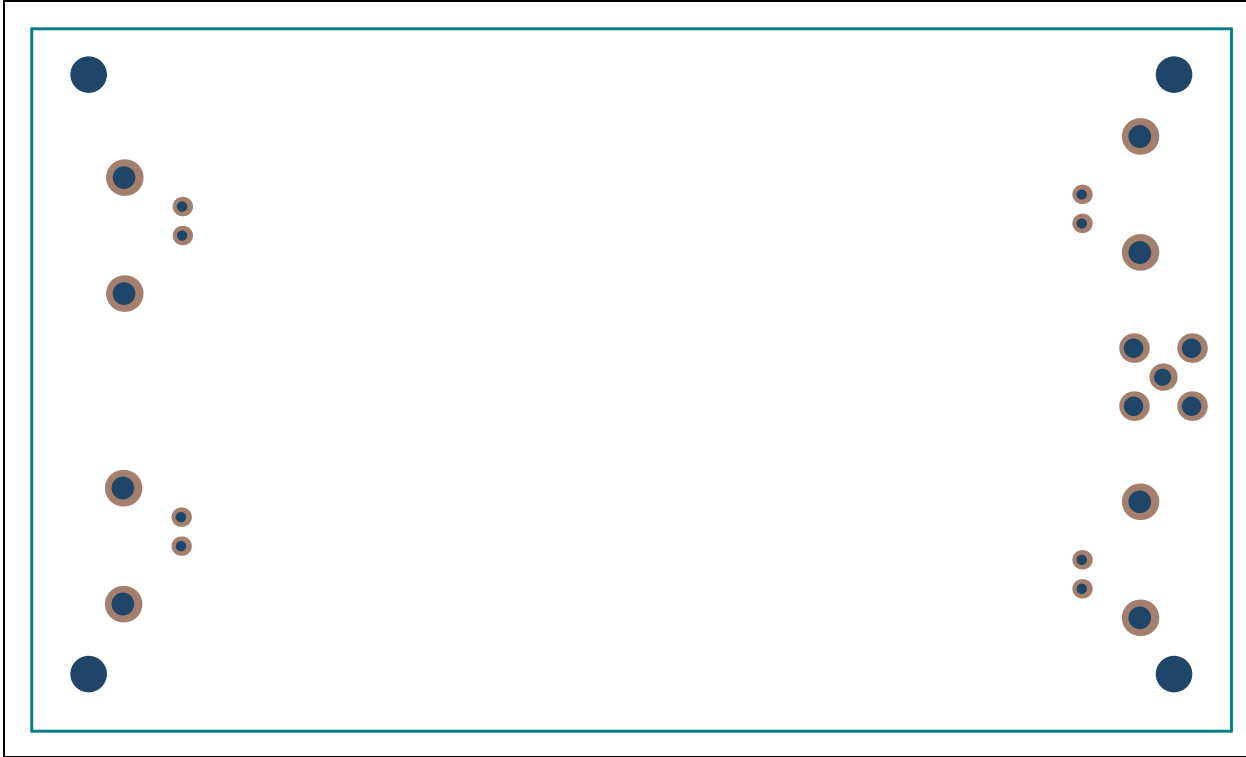


A.6 BOARD – BOTTOM COPPER AND SILK



MCP6421 EMIRR Evaluation Board User's Guide

A.7 BOARD – BOTTOM SILK



NOTES:

Appendix B. Bill of Materials (BOM)

TABLE B-1: BILL OF MATERIALS (BOM)

Qty	Reference	Description	Manufacturer	Part Number
1	C1	Cap. cer. 22 pF 50V 5% NP0 SMD 0603	Panasonic® - ECG	ECU-V1H220JCV
3	C2, C4, C6	Cap. cer. 10000 pF 50V 10% X7R 0603	AVX Corporation	06035C103KAT2A
3	C3, C5, C11	Cap. cer. 0.1 µF 50V 10% X7R 0603	AVX Corporation	06035C104KAT2A
3	C7, C9, C12	Cap. cer. 100 pF 50V 5% NP0 SMD 0603	Panasonic	ECU-V1H101JCV
2	C8, C10	Cap. Tant. 10 µF 16V 10% 3Ohm SMD A	KEMET®	B45196H3106K109
2	FB1, FB2	Ferrite CHIP 470 OHM 300 mA 0603	Murata Electronics®	BLM18BB471SN1D
1	J1	Conn. SMA jack str. 50 Ohm PCB	Amphenol Commercial	901-144-8RFX
4	J2, J3, J4, J5	Conn. BNC jack str. 50 Ohm PCB	Amphenol Commercial	31-5431-2010
0	PCB	MCP6421 EMIRR Evaluation Board – RoHS compliant Printed Circuit Board	—	104-00443
2	R1, R2	Res. TKF 100R 1% 1/10W SMD 0603	Panasonic	ERJ-3EKF1000V
4	R3, R4, R6, R7	Res. TKF 10k 1% 1/10W SMD 0603	NIC Components Corp.	NRC06F1002TRF
4	R5, R8, R9, R10	Res. TKF 49.9R 1% 1/10W SMD 0603	Panasonic	ERJ-3EKF49R9V
1	U1	MCP6421, SC70-5, single op amp, 90 kHz	Microchip Technology, Inc.	MCP6421T-E/LTY

Note 1: The components listed in this Bill of Materials are representative of the PCB assembly. The released BOM used in manufacturing uses all RoHS-compliant components.



MICROCHIP

Worldwide Sales and Service

AMERICAS

Corporate Office
2355 West Chandler Blvd.
Chandler, AZ 85224-6199
Tel: 480-792-7200
Fax: 480-792-7277
Technical Support:
<http://www.microchip.com/support>
Web Address:
www.microchip.com

Atlanta
Duluth, GA
Tel: 678-957-9614
Fax: 678-957-1455

Boston
Westborough, MA
Tel: 774-760-0087
Fax: 774-760-0088

Chicago
Itasca, IL
Tel: 630-285-0071
Fax: 630-285-0075

Cleveland
Independence, OH
Tel: 216-447-0464
Fax: 216-447-0643

Dallas
Addison, TX
Tel: 972-818-7423
Fax: 972-818-2924

Detroit
Farmington Hills, MI
Tel: 248-538-2250
Fax: 248-538-2260

Indianapolis
Noblesville, IN
Tel: 317-773-8323
Fax: 317-773-5453

Los Angeles
Mission Viejo, CA
Tel: 949-462-9523
Fax: 949-462-9608

Santa Clara
Santa Clara, CA
Tel: 408-961-6444
Fax: 408-961-6445

Toronto
Mississauga, Ontario,
Canada
Tel: 905-673-0699
Fax: 905-673-6509

ASIA/PACIFIC

Asia Pacific Office
Suites 3707-14, 37th Floor
Tower 6, The Gateway
Harbour City, Kowloon
Hong Kong
Tel: 852-2401-1200
Fax: 852-2401-3431

Australia - Sydney
Tel: 61-2-9868-6733
Fax: 61-2-9868-6755

China - Beijing
Tel: 86-10-8569-7000
Fax: 86-10-8528-2104

China - Chengdu
Tel: 86-28-8665-5511
Fax: 86-28-8665-7889

China - Chongqing
Tel: 86-23-8980-9588
Fax: 86-23-8980-9500

China - Hangzhou
Tel: 86-571-2819-3187
Fax: 86-571-2819-3189

China - Hong Kong SAR
Tel: 852-2943-5100
Fax: 852-2401-3431

China - Nanjing
Tel: 86-25-8473-2460
Fax: 86-25-8473-2470

China - Qingdao
Tel: 86-532-8502-7355
Fax: 86-532-8502-7205

China - Shanghai
Tel: 86-21-5407-5533
Fax: 86-21-5407-5066

China - Shenyang
Tel: 86-24-2334-2829
Fax: 86-24-2334-2393

China - Shenzhen
Tel: 86-755-8864-2200
Fax: 86-755-8203-1760

China - Wuhan
Tel: 86-27-5980-5300
Fax: 86-27-5980-5118

China - Xian
Tel: 86-29-8833-7252
Fax: 86-29-8833-7256

China - Xiamen
Tel: 86-592-2388138
Fax: 86-592-2388130

China - Zhuhai
Tel: 86-756-3210040
Fax: 86-756-3210049

ASIA/PACIFIC

India - Bangalore
Tel: 91-80-3090-4444
Fax: 91-80-3090-4123

India - New Delhi
Tel: 91-11-4160-8631
Fax: 91-11-4160-8632

India - Pune
Tel: 91-20-2566-1512
Fax: 91-20-2566-1513

Japan - Osaka
Tel: 81-6-6152-7160
Fax: 81-6-6152-9310

Japan - Tokyo
Tel: 81-3-6880-3770
Fax: 81-3-6880-3771

Korea - Daegu
Tel: 82-53-744-4301
Fax: 82-53-744-4302

Korea - Seoul
Tel: 82-2-554-7200
Fax: 82-2-558-5932 or
82-2-558-5934

Malaysia - Kuala Lumpur
Tel: 60-3-6201-9857
Fax: 60-3-6201-9859

Malaysia - Penang
Tel: 60-4-227-8870
Fax: 60-4-227-4068

Philippines - Manila
Tel: 63-2-634-9065
Fax: 63-2-634-9069

Singapore
Tel: 65-6334-8870
Fax: 65-6334-8850

Taiwan - Hsin Chu
Tel: 886-3-5778-366
Fax: 886-3-5770-955

Taiwan - Kaohsiung
Tel: 886-7-213-7828
Fax: 886-7-330-9305

Taiwan - Taipei
Tel: 886-2-2508-8600
Fax: 886-2-2508-0102

Thailand - Bangkok
Tel: 66-2-694-1351
Fax: 66-2-694-1350

EUROPE

Austria - Wels
Tel: 43-7242-2244-39
Fax: 43-7242-2244-393

Denmark - Copenhagen
Tel: 45-4450-2828
Fax: 45-4485-2829

France - Paris
Tel: 33-1-69-53-63-20
Fax: 33-1-69-30-90-79

Germany - Munich
Tel: 49-89-627-144-0
Fax: 49-89-627-144-44

Italy - Milan
Tel: 39-0331-742611
Fax: 39-0331-466781

Netherlands - Drunen
Tel: 31-416-690399
Fax: 31-416-690340

Spain - Madrid
Tel: 34-91-708-08-90
Fax: 34-91-708-08-91

UK - Wokingham
Tel: 44-118-921-5869
Fax: 44-118-921-5820

11/29/12