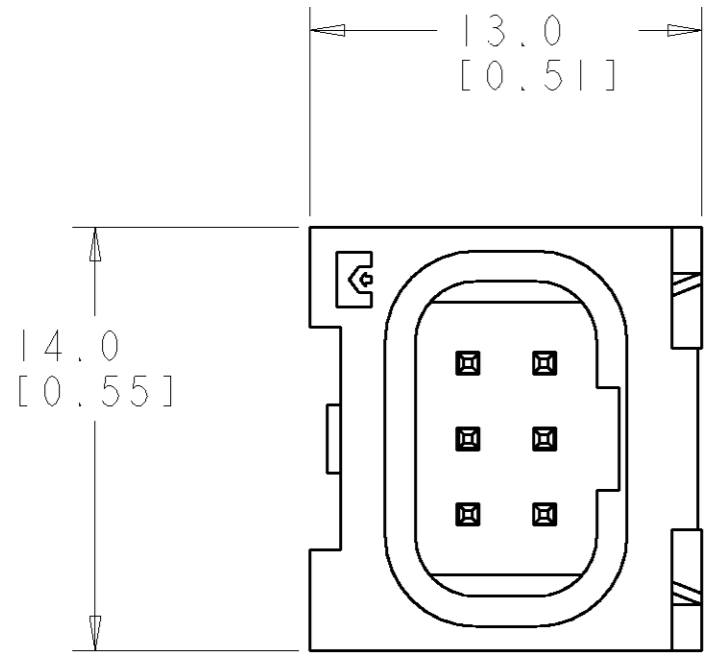
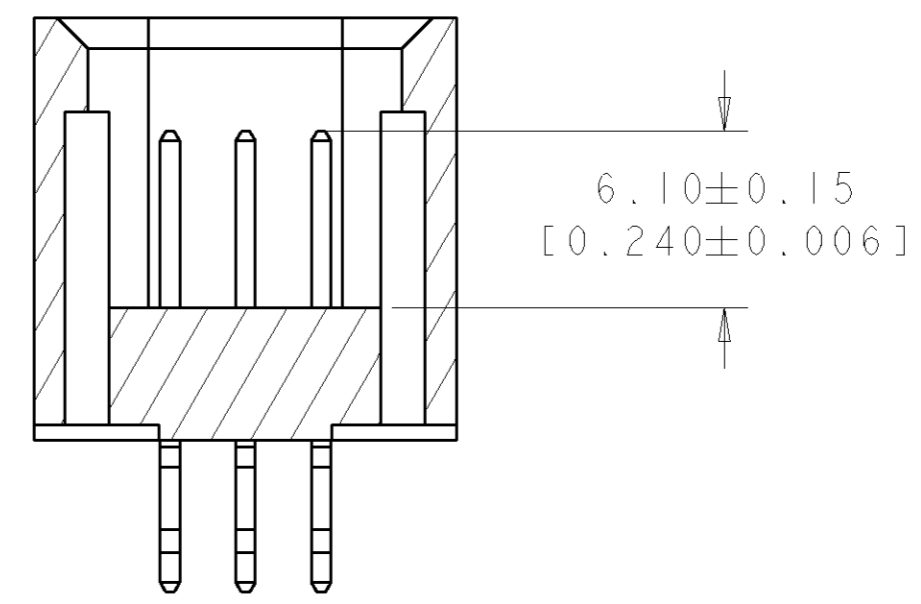
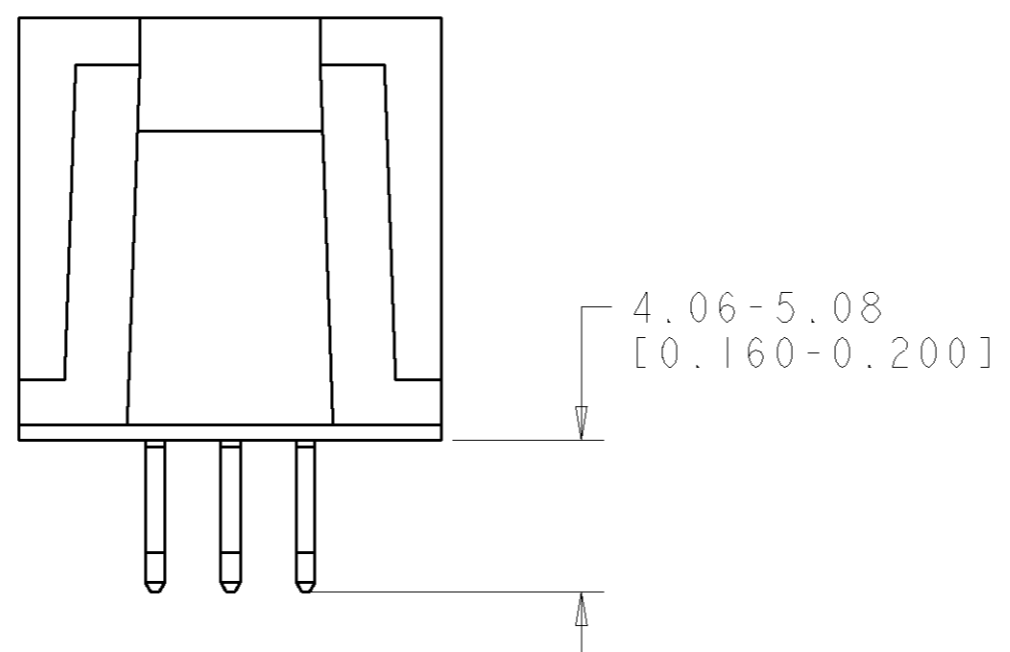
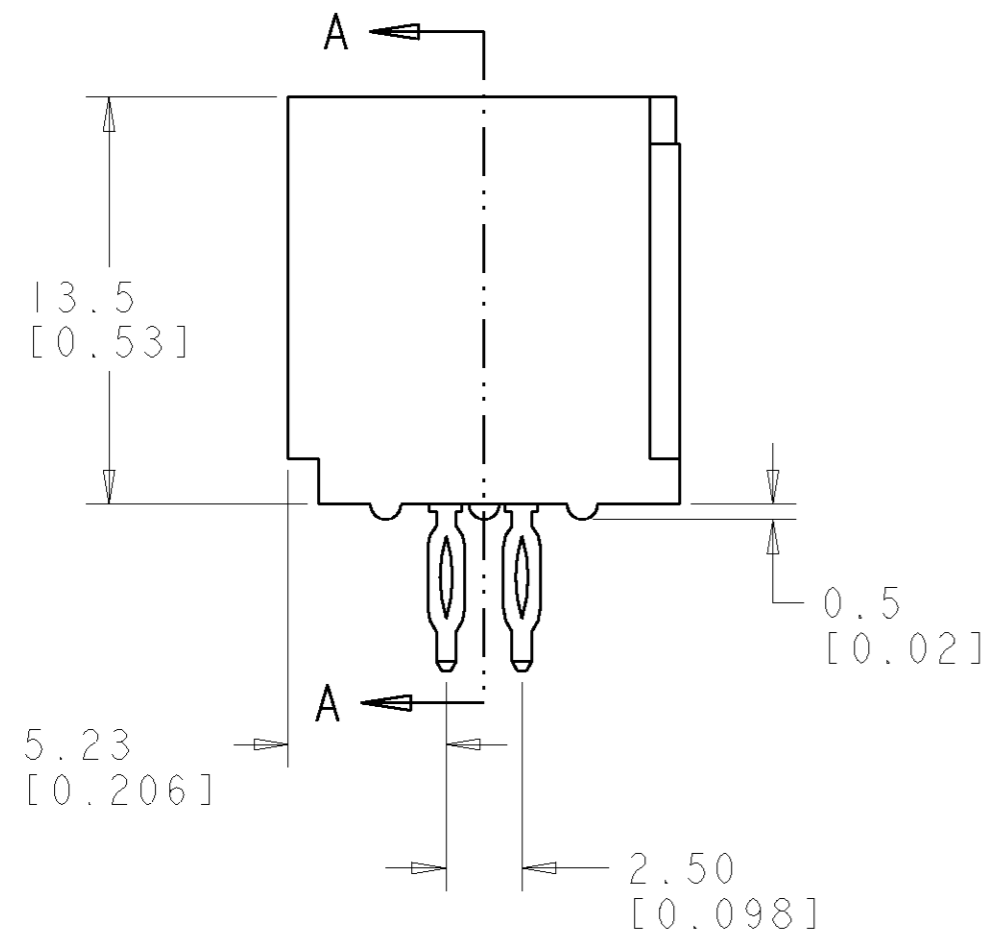
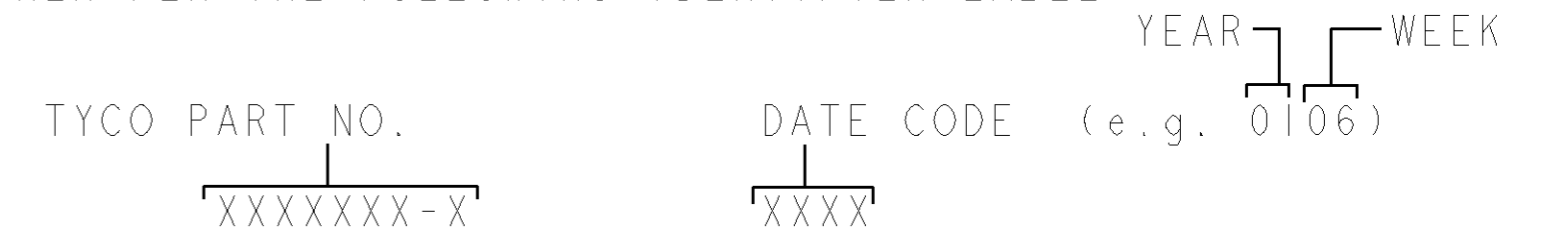


THIS DRAWING IS UNPUBLISHED. RELEASED FOR PUBLICATION 20
 © COPYRIGHT 20 BY TYCO ELECTRONICS CORPORATION. ALL RIGHTS RESERVED.

LOC	DIST	REVISIONS			
P	LTR	DESCRIPTION	DATE	DWN	APVD
GP	00	A	RELEASED	21DEC2006	RG PD



- PART NUMBER CHANGES AND OR DESIGN CHANGES AFFECTING ITEM INTERCHANGEABILITY REQUIRE PRIOR TYCO APPROVAL AND AUTHORIZATION BY REVISION TO THIS DRAWING.
- MATERIAL:
INSULATORS - THERMOPLASTIC, GLASS REINFORCED, COLOR: BLACK
UL94V-0 FLAMMABILITY RATED.
COMPLIANT SIGNAL PIN-PHOSOPHOR BRONZE
- FINISH:
CONTACTS - GOLD PLATE .000030" MIN. THK., OVER NICKEL
.000050" MIN. THK
COMPLIANT TAILS, TIN .000040" MIN. THK. OVER NICKEL
.000050" MIN THK.
- ITEMS PROVIDED TO THIS SPECIFICATION TO BE PERMANENTLY IDENTIFIED ON THE CONTAINER PER THE FOLLOWING IDENTIFIER LABEL



SECTION A-A

AS SHOWN	6648609-1
DESCRIPTION	PART NUMBER

THIS DRAWING IS A CONTROLLED DOCUMENT FOR TYCO ELECTRONICS CORPORATION. IT IS SUBJECT TO CHANGE AND THE CONTROLLING ENGINEERING ORGANIZATION SHOULD BE CONTACTED FOR THE LATEST REVISION.		DWN R. GRZYBOWSKI 21DEC06	tyco Tyco Electronics Harrisburg, PA 17105-3608
DIMENSIONS: mm [INCHES]		CHK P. DAMATO 21DEC06	
TOLERANCES UNLESS OTHERWISE SPECIFIED: 0 PLC ±.5 [0.020] 1 PLC ±.5 [0.020] 2 PLC ±.25 [0.010] 3 PLC ±.25 [0.010] 4 PLC ±.25 [0.010] ANGLES ±.5		APVD S. FLICKINGER 21DEC06	
MATERIAL		PRODUCT SPEC - APPLICATION SPEC - WEIGHT -	
-		CUSTOMER DRAWING	NAME SIGNAL MODULE, 6 POSN COMPLIANT TAIL SIZE A200779 CAGE CODE C-6648609 DRAWING NO. 6648609 RESTRICTED TO - SCALE 3:1 SHEET 1 OF 3 REV A

ELCON **FLATPAQ**

4

3

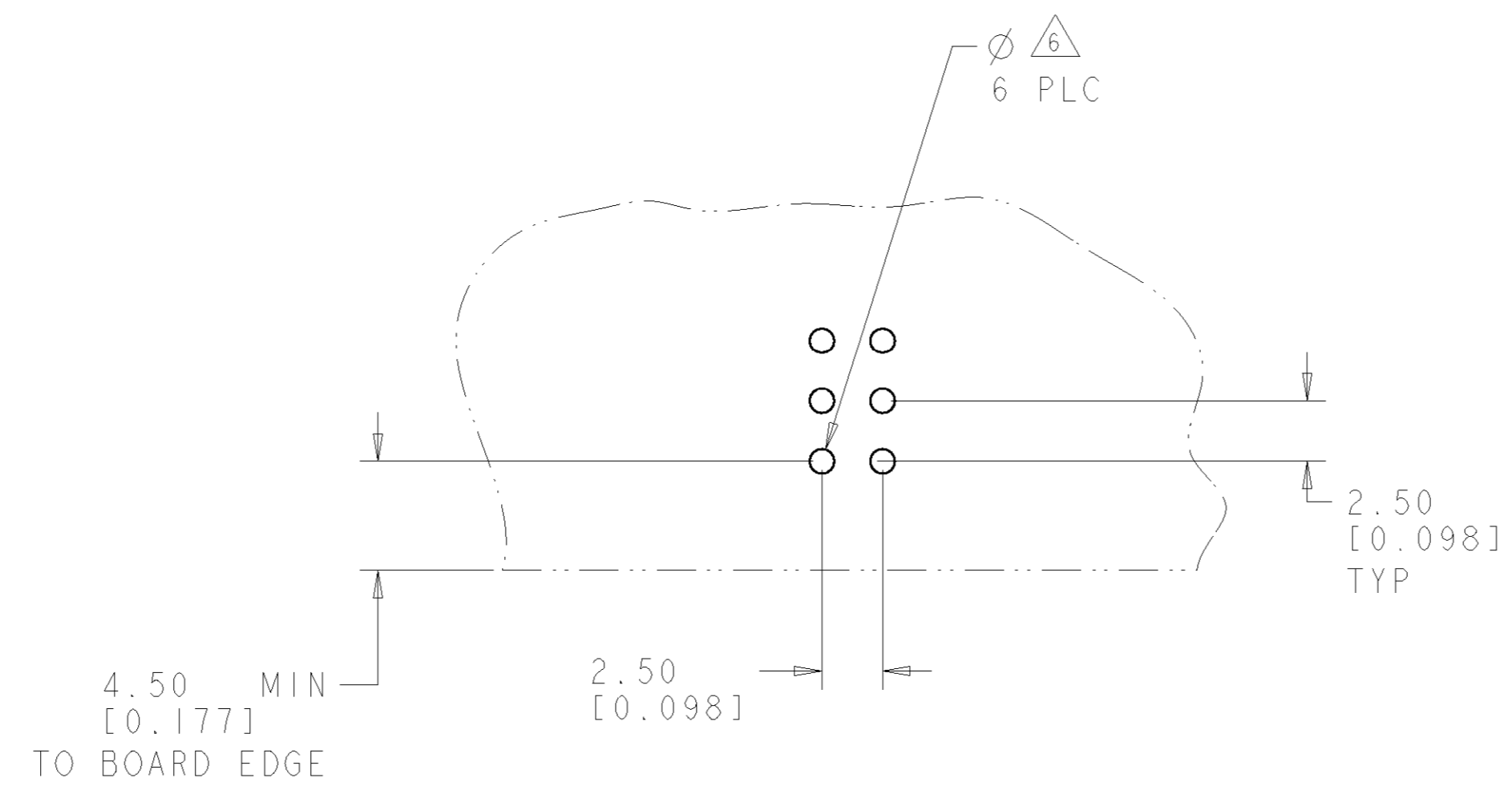
2

1

THIS DRAWING IS UNPUBLISHED. RELEASED FOR PUBLICATION 20

© COPYRIGHT 20 BY TYCO ELECTRONICS CORPORATION. ALL RIGHTS RESERVED.

LOC	DIST	REVISIONS					
GP	00	P	LTR	DESCRIPTION	DATE	DWN	APVD
		-		SEE SHEET 1	-	-	-



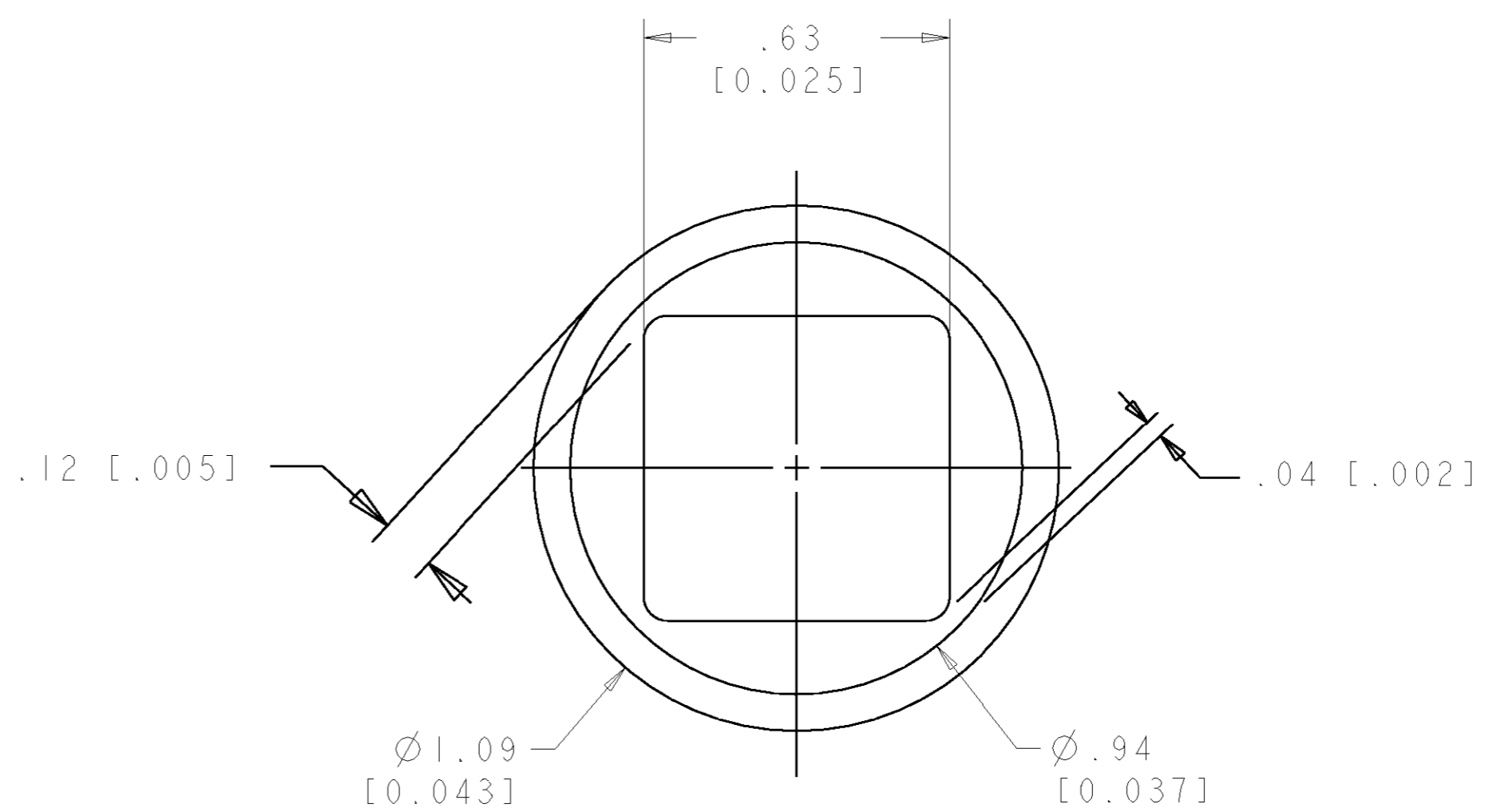
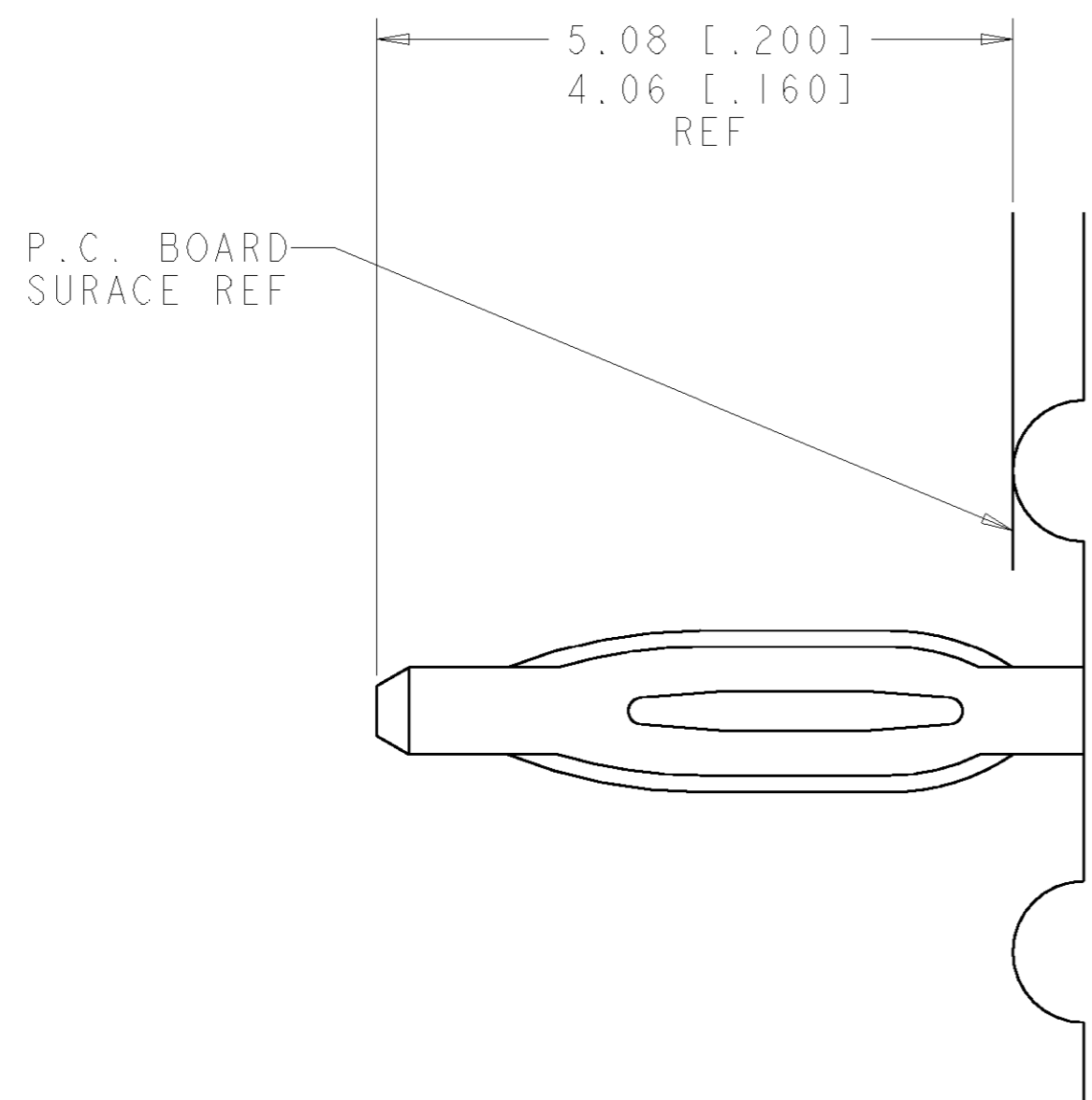
PRINTED CIRCUIT LAYOUT
COMPONENT SIDE

ELCON **FLATPAQ**

<small>THIS DRAWING IS A CONTROLLED DOCUMENT FOR TYCO ELECTRONICS CORPORATION IT IS SUBJECT TO CHANGE AND THE CONTROLLING ENGINEERING ORGANIZATION SHOULD BE CONTACTED FOR THE LATEST REVISION.</small>		DWN R. GRZYBOWSKI 21DEC06 CHK P. DAMATO 21DEC06 APVD S. FLICKINGER 21DEC06	tyco Tyco Electronics Electronics Harrisburg, PA 17105-3608
DIMENSIONS: mm [INCHES]	TOLERANCES UNLESS OTHERWISE SPECIFIED:	PRODUCT SPEC - APPLICATION SPEC - WEIGHT -	NAME SIGNAL MODULE, 6 POSN COMPLIANT TAIL
MATERIAL -	FINISH -	FINISH -	SIZE A200779 CAGE CODE C-6648609 DRAWING NO. 6648609 RESTRICTED TO -
		CUSTOMER DRAWING	SCALE 3:1 SHEET 2 OF 3 REV A

THIS DRAWING IS UNPUBLISHED. RELEASED FOR PUBLICATION 20
 © COPYRIGHT 20 BY TYCO ELECTRONICS CORPORATION. ALL RIGHTS RESERVED.

LOC	DIST	REVISIONS			
P	LTR	DESCRIPTION	DATE	DWN	APVD
GP	00	-	SEE SHEET 1	-	-



5. COMPLIANT PIN DETAIL
 SCALE 10 : 1
 INSERTION/EXTRACTION FORCES
 MAXIMUM PUSH IN: 133.3N PER PIN
 [30 LBS]
 MINIMUM PUSH OU: 44.4N PER PIN
 [10 LBS]

6. SOLDER TERMINATION AREA
 SCALE 40:1
 RECOMMENDED PRINTED CIRCUIT HOLE
 COMPLIANT PRESS FIT
 DRILLED HOLE: Ø1.15 [.0453] ±.013 [.0005]
 COPPER PLATE: .025 [.0010] TO .050 [.0020]
 TIN PLATE: .0005 [.000020] MIN. (PER SURFACE)

CONNECTOR	CATALOG MODULE #	QTY	SIZE NO.	CONTACT QTY	MATING PIN	MAX. CURRENT (PER CONTACT)	CONTACT SPACING	VOLTAGE RATING
SOCKET	FP412	1	22	6	.64 [.025] SQ.	3 amps	2.50 [.0984]	125 VOLTS

THIS DRAWING IS A CONTROLLED DOCUMENT FOR TYCO ELECTRONICS CORPORATION. IT IS SUBJECT TO CHANGE AND THE CONTROLLING ENGINEERING ORGANIZATION SHOULD BE CONTACTED FOR THE LATEST REVISION.

DWN	R. GRZYBOWSKI	21DEC06	Tyco Electronics Harrisburg, PA 17105-3608			
CHK	P. DAMATO	21DEC06				
APVD	S. FLICKINGER	21DEC06				
NAME	SIGNAL MODULE, 6 POSN COMPLIANT TAIL					
DIMENSIONS:	TOLERANCES UNLESS OTHERWISE SPECIFIED:		SIZE	CAGE CODE	DRAWING NO.	RESTRICTED TO
mm [INCHES]	0 PLC ±.5 [.020] 1 PLC ±.25 [.010] 2 PLC ±.25 [.010] 3 PLC ±. 4 PLC ±. ANGLES ±.5 FINISH		A2	00779	G-6648609	-
MATERIAL	-		WEIGHT	-		SCALE 3:1
CUSTOMER DRAWING			SHEET 3 OF 3		REV A	

ELCON FLATPAQ