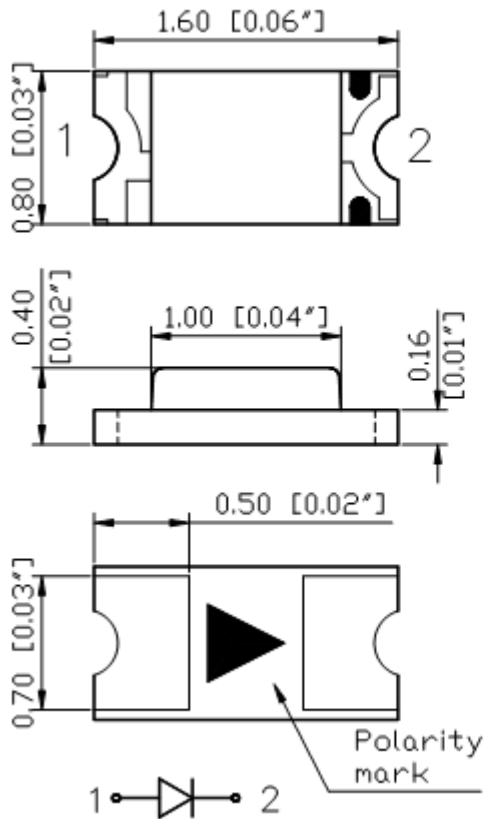
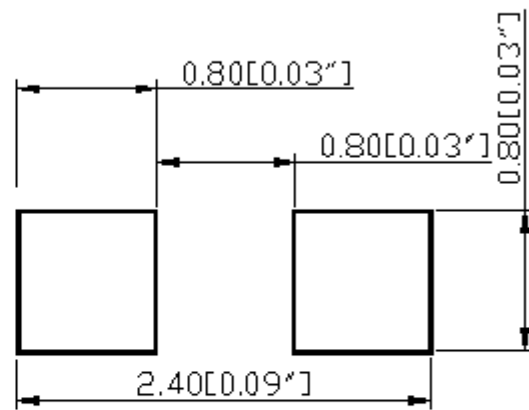


SPECIFICATION
CS63CUV365C
PACKAGE OUTLINES

RECOMMEND PAD LAYOUT

Notes:

1. All dimensions are in millimeters (inches).
2. Tolerance is $\pm 0.25\text{mm}$ (0.01") unless otherwise noted.
3. Specifications are subject to change without notice.

| Part Number | Chip Material | Color of Emission | Lens Type | Viewing Angle |
|-------------|---------------|-------------------|-------------|---------------|
| CS63CUV365C | InGaN | UV | Water Clear | 150° |



ChromeLED Corp. reserves the right to make changes at any time in order to supply the best product possible. The most current version of this document will always be available at: www.chromeled.com

ABSOLUTE MAXIMUM RATINGS
(TA=25°C)

| Parameter | Symbol | Max Rating | Unit |
|--|--------|-------------------------|------|
| Forward Current | IF | 30 | mA |
| Reverse Current @ 5V | IR | 10 | μA |
| Power Dissipation | Pd | 111 | mW |
| Operating Temperature Range | TOP | -40~+80 | °C |
| Storage Temperature Range | TSTG | -40~+85 | °C |
| Peak Pulsing Current (1/10 duty f = 10KHz) | IFP | 125 | mA |
| Soldering Temperature | TSOL | Max 260°C for 5 sec Max | |

OPTICAL-ELECTRICAL CHARACTERISTICS
(TA=25°C)

| Parameter | Symbol | Test Condition | Value | | | Unit |
|-----------------------------|--------|----------------|-------|-----|-----|------|
| | | | Min | Typ | Max | |
| Luminous Intensity | Iv | IF = 20mA | 2.5 | 5.6 | - | mcd |
| Forward Voltage | VF | IF = 20mA | - | 3.2 | 3.7 | V |
| Reverse Leakage Current | IR | VR = 5V | - | - | 10 | μA |
| Viewing Angle at 50% Iv | 2θ1/2 | IF = 20mA | - | 150 | - | Deg |
| Wavelength at Peak Emission | λP | IF = 20mA | - | 362 | - | nm |

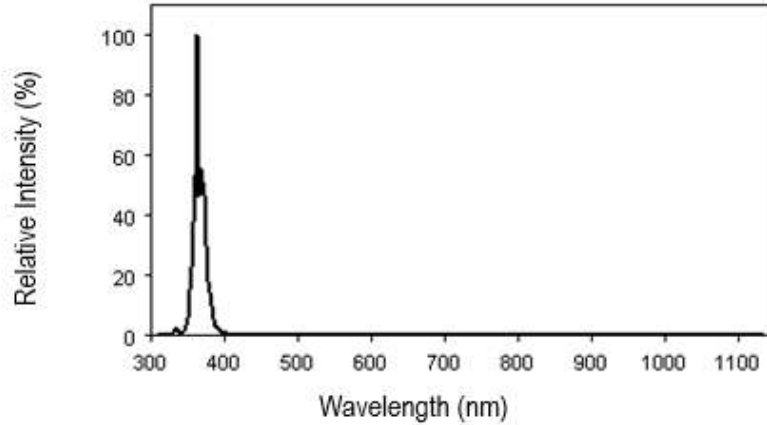
*Tolerance of viewing angle: -10 / +5 deg.



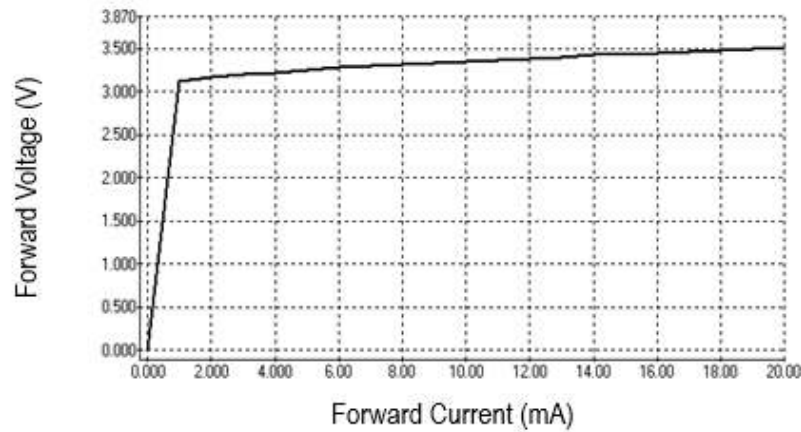
ChromeLED Corp. reserves the right to make changes at any time in order to supply the best product possible. The most current version of this document will always be available at: www.chromeled.com

OPTICAL CHARACTERISTIC CURVES

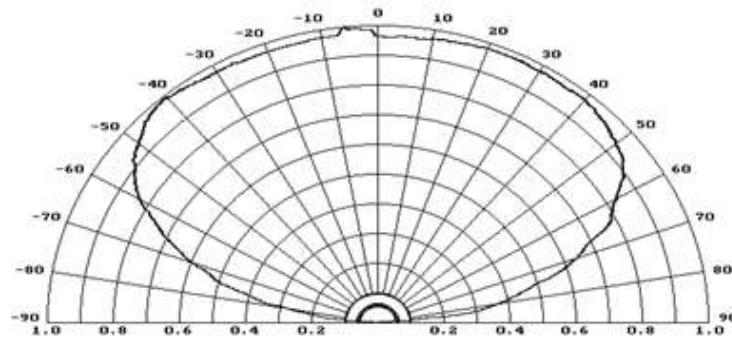
Relative Intensity vs. Wavelength



Forward Current vs. Forward Voltage



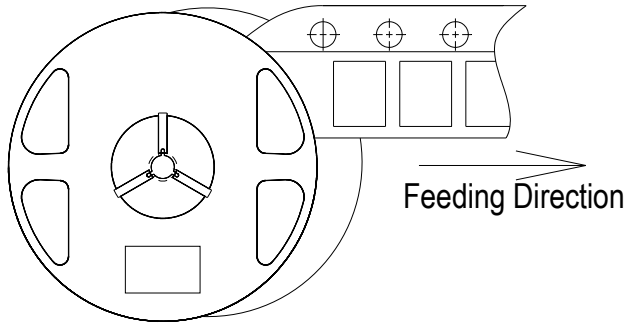
Directive Characteristics



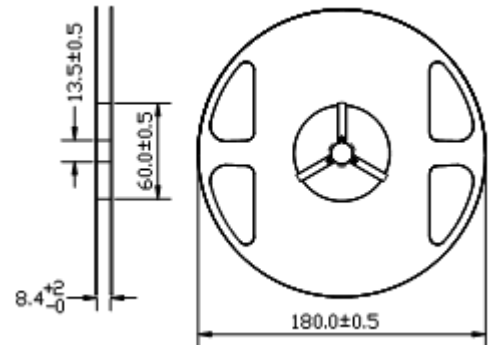
ChromeLED Corp. reserves the right to make changes at any time in order to supply the best product possible. The most current version of this document will always be available at: www.chromeled.com

PACKAGING SPECIFICATION

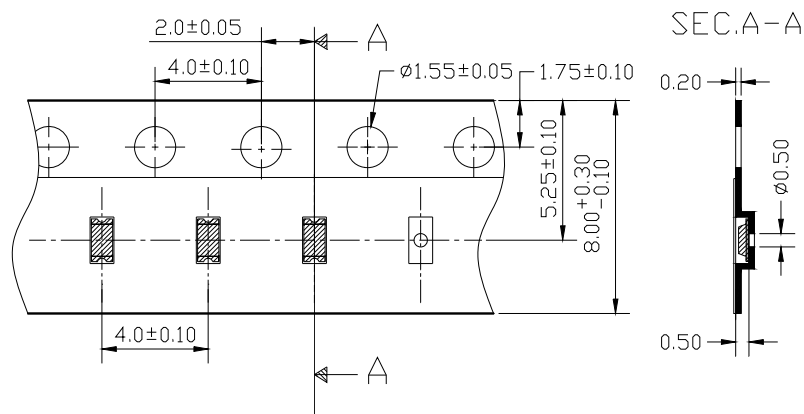
Feeding Direction



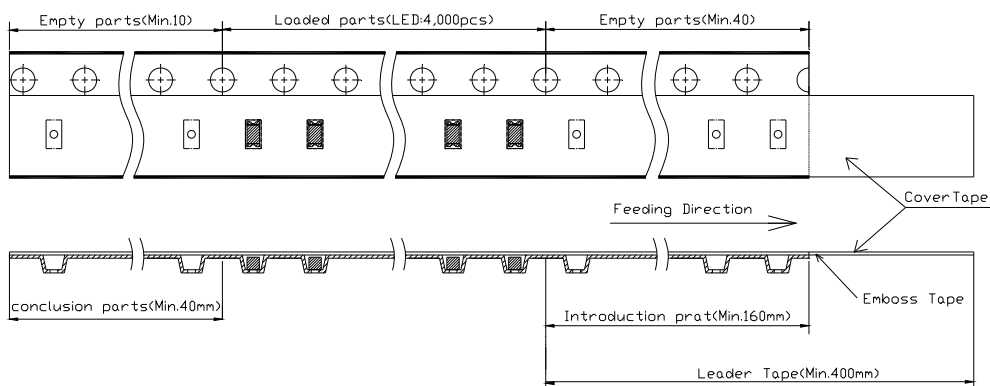
Dimensions of Reel (unit: mm)



Dimensions of Tape (unit: mm)



Arrangement of Tape



1. Empty component pockets are sealed with top cover tape
2. The maximum number of missing lamps is two
3. The cathode is oriented towards the tape sprocket hole
4. 4,000 pcs/Reel



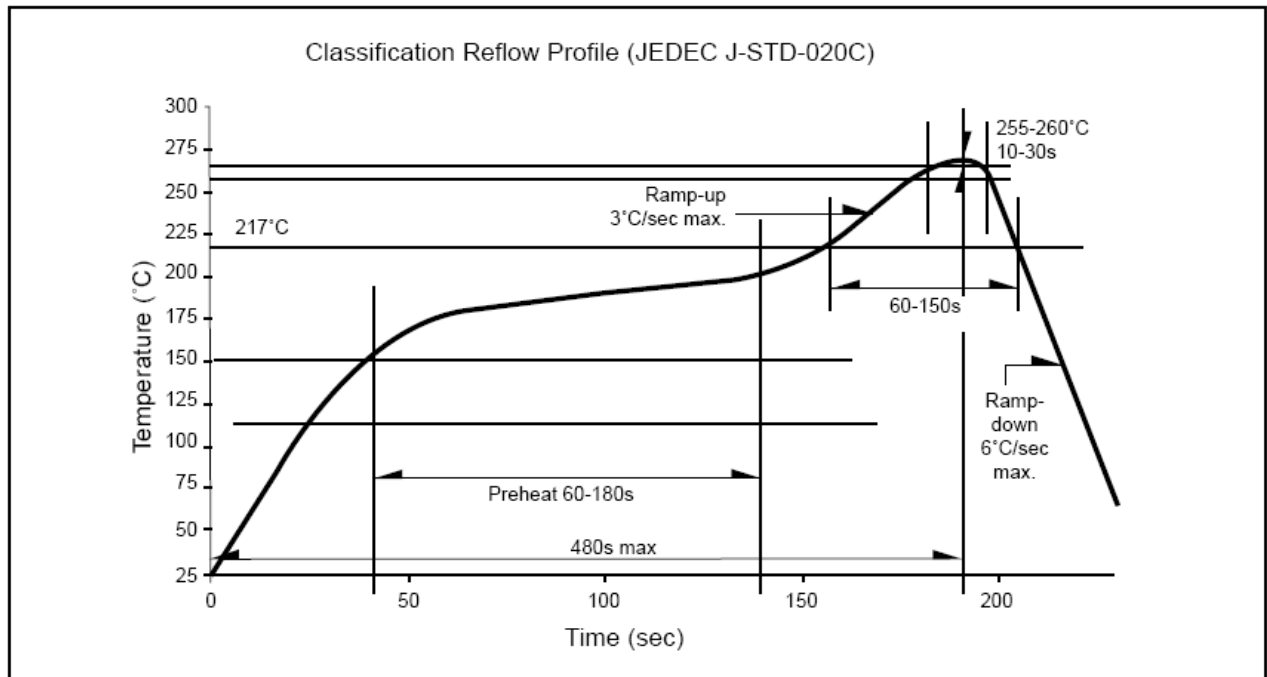
ChromeLED Corp. reserves the right to make changes at any time in order to supply the best product possible. The most current version of this document will always be available at: www.chromeled.com

SOLDERING CONDITIONS

RECOMMENDED Sn-PB IR-Reflow Soldering Profile



RECOMMENDED Pb-Free Soldering Profile



ChromeLED Corp. reserves the right to make changes at any time in order to supply the best product possible. The most current version of this document will always be available at: www.chromeled.com