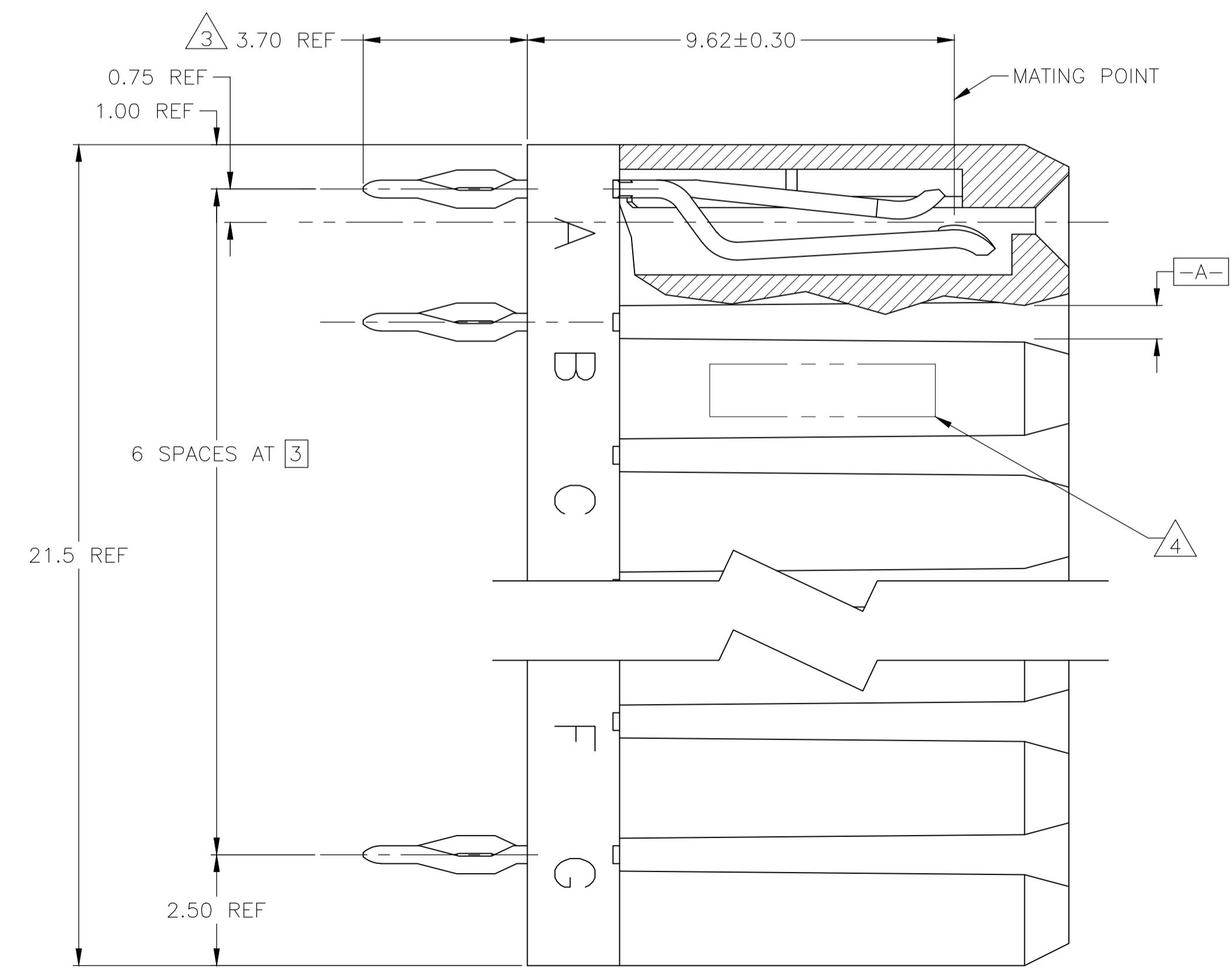
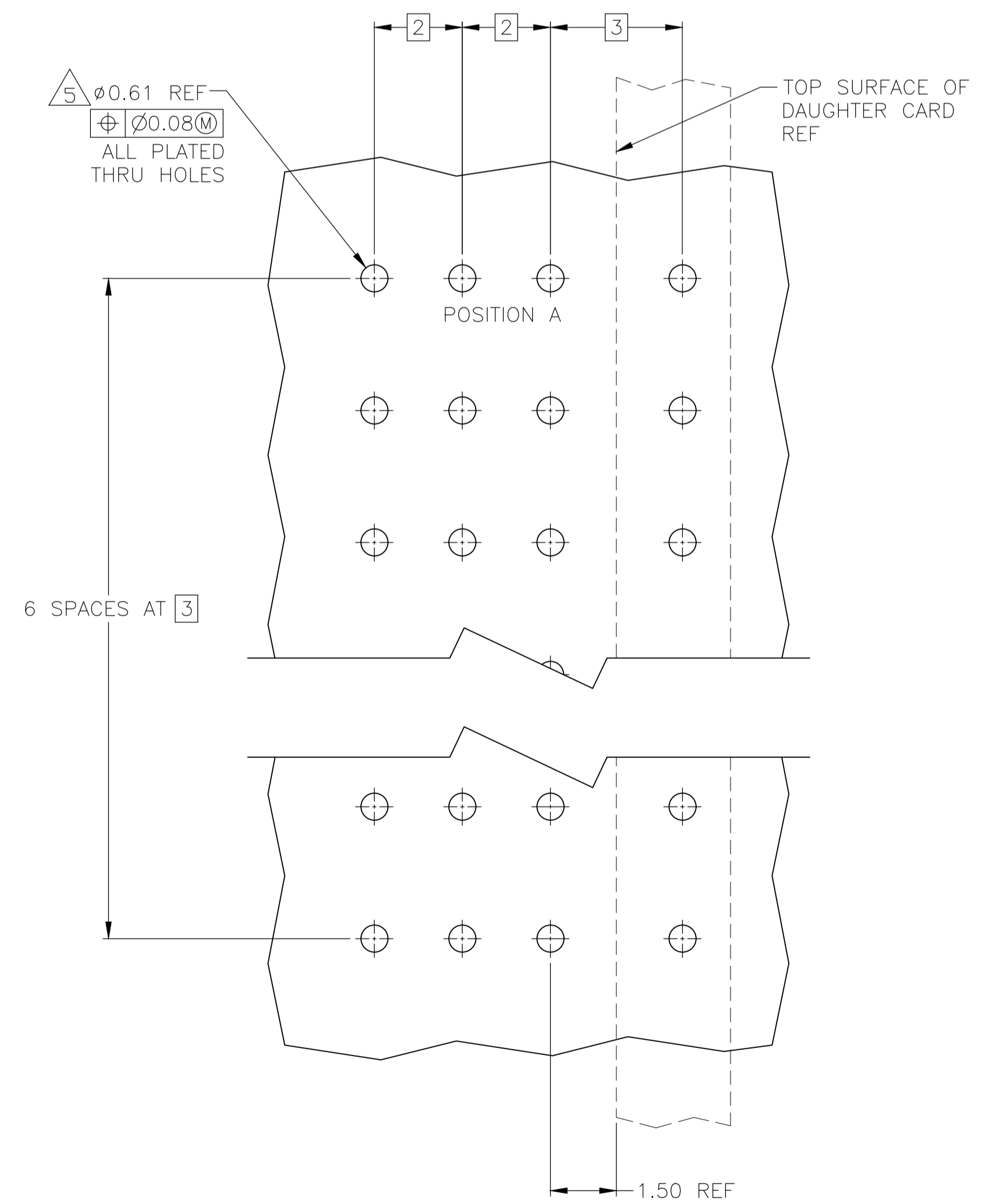
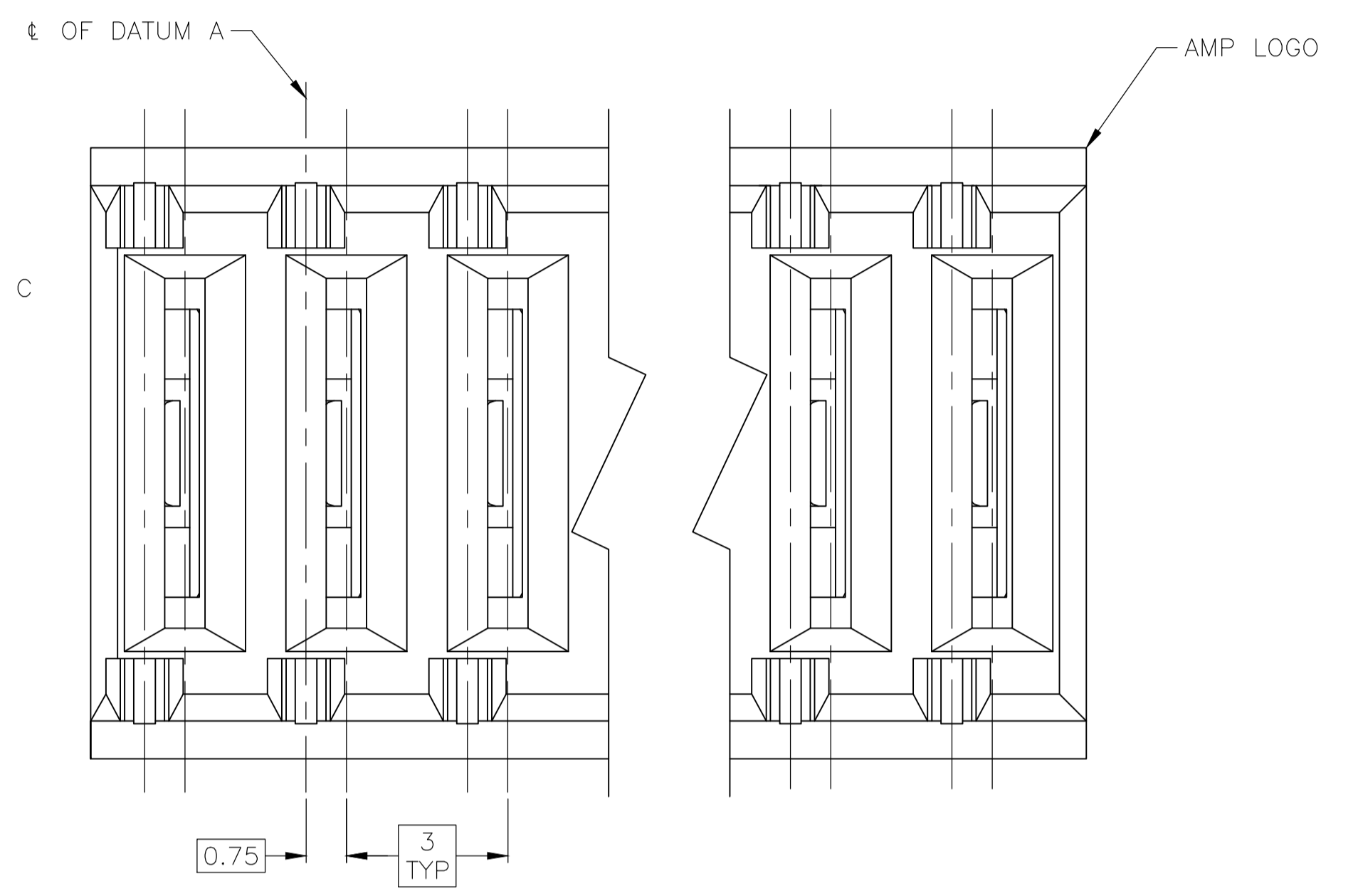
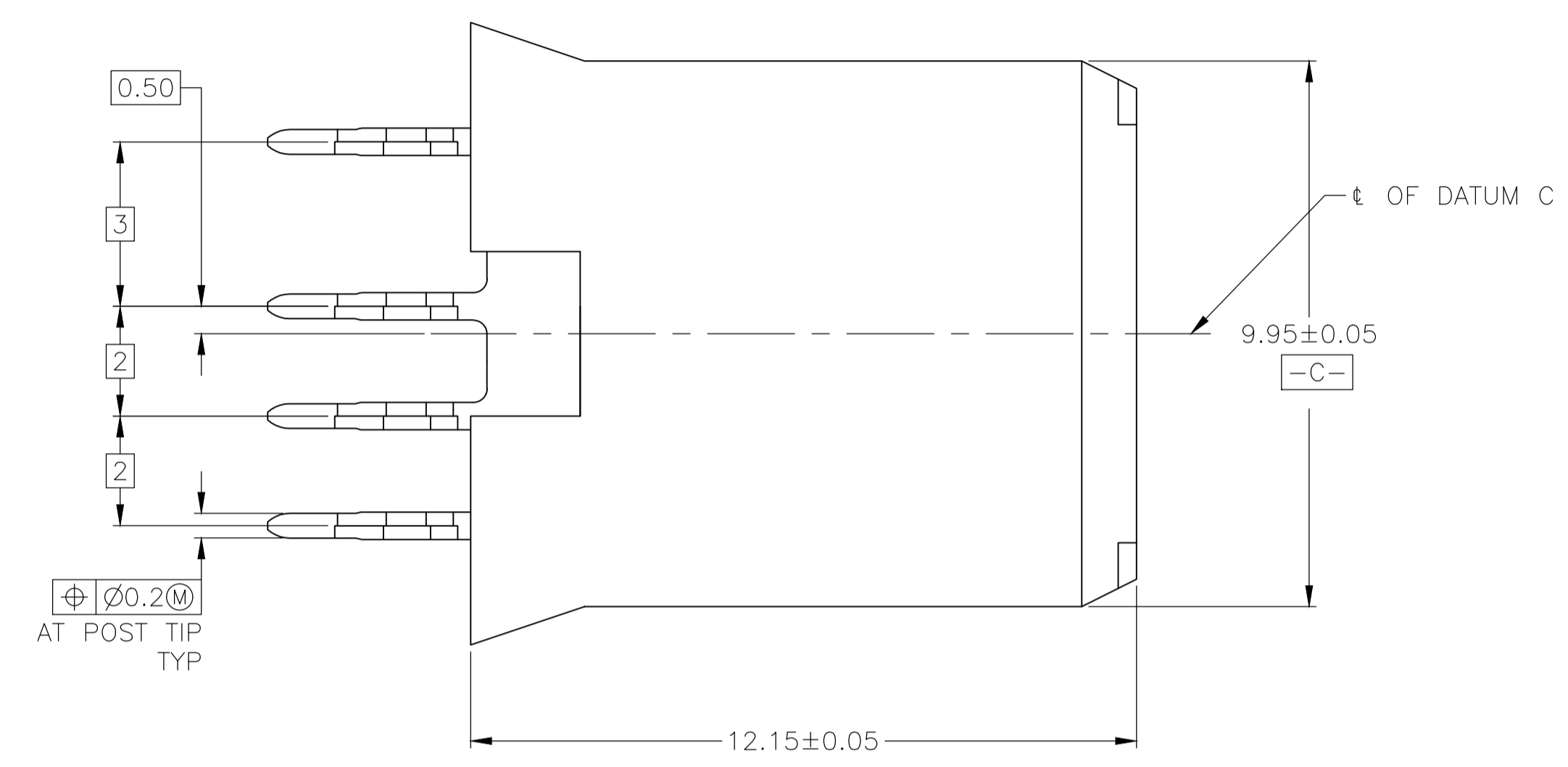
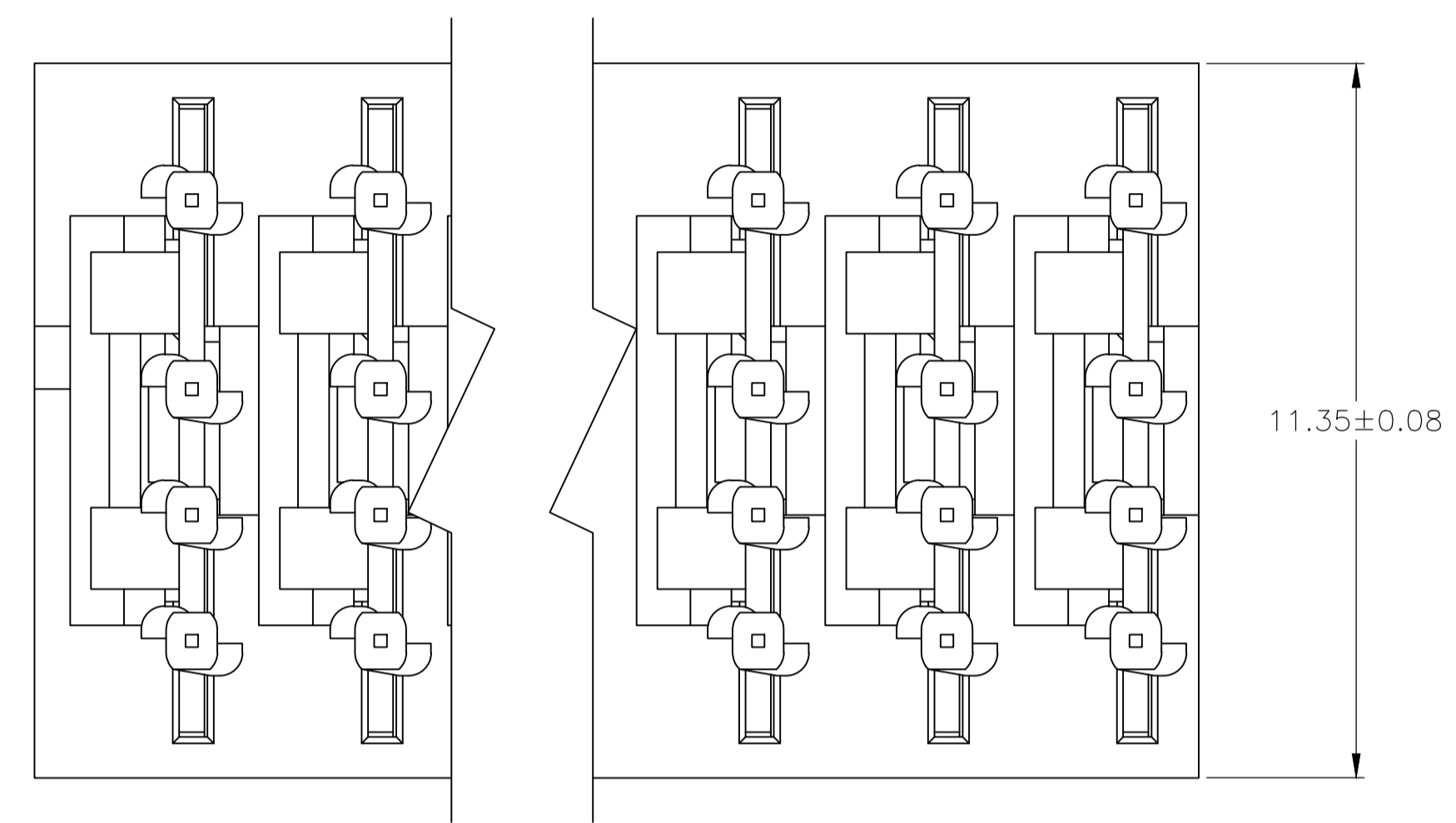


LOC		DIST		REVISIONS			
P	LTR	DESCRIPTION	DATE	DN	APVD		
A1	REV PER	RECO-20-004668	10JUN2020	ML	SZ		

- 1 MATERIAL: HOUSING : POLYESTER, GRAY. UL 94V-0.
CONTACT: HIGH CURRENT COPPER ALLOY.
- 2 FINISH: IN ACCORDANCE WITH PRODUCT SPECIFICATION 108-1651,
GOLD PLATING OR EQUIVALENT PLATING ON PRODUCT CONTACT MATING AREA,
AND MATTE TIN PLATING ON COMPLIANT PIN AREA, ALL OVER MATTE NICKEL
UNDERPLATED. DETAIL PLEASE REFER TO PRODUCT SPECIFICATION 108-1651.
- 3 TOLERANCE TO BE ± 0.28 AFTER CONNECTOR IS APPLIED TO PC BOARD.
- 4 DATE CODE THIS APPROXIMATE AREA, OPPOSITE SIDE.
- 5 REFERENCE APPLICATION SPEC 114-1103 FOR RECOMMENDED
PLATED THRU HOLE DIAMETER AND PLATING THICKNESS.
- 6 CURRENT RATING 16A/CONTACT PER PRODUCT SPEC 108-1651.
- 7 FINISH: CONTACT LUBRICATION WITH BELLCORE APPROVED LUBRICANT.
TECHNICAL REFERENCE: GR-1217-CORE ISSUE 1, NOVEMBER 1995.



RECOMMENDED PCB HOLE LAYOUT

A,B,D,E,G		5	1645636-1
POSITIONS LOADED		NO.OF LOADED POSITIONS	PART NUMBER
THIS DRAWING IS A CONTROLLED DOCUMENT.		DWN: KIRAN HOLAL 04JUN12 CHK: SHARPE ALEXANDER 04JUN12 APVD: SHARPE ALEXANDER 04JUN12 NAME: 7 POSITIONS, RECEPTACLE ASSEMBLY, SELECT LOAD, UNIVERSAL POWER MODULE PRODUCT SPEC: 108-1651 APPLICATION SPEC: 114-1103	
DIMENSIONS: mm		TOLERANCES UNLESS OTHERWISE SPECIFIED: 0. PLC $\pm -$ 1. PLC $\pm -$ 2. PLC ± 0.13 3. PLC $\pm -$ 4. PLC $\pm -$ ANGLES $\pm -$	
MATERIAL: 1		FINISH: 2, 7 WEIGHT: - SCALE: 10:1 SHEET: 1 OF 1 REV: A1	
CUSTOMER DRAWING		SIZE: A1 CAGE CODE: 00779 DRAWING NO: 1645636 RESTRICTED TO: -	