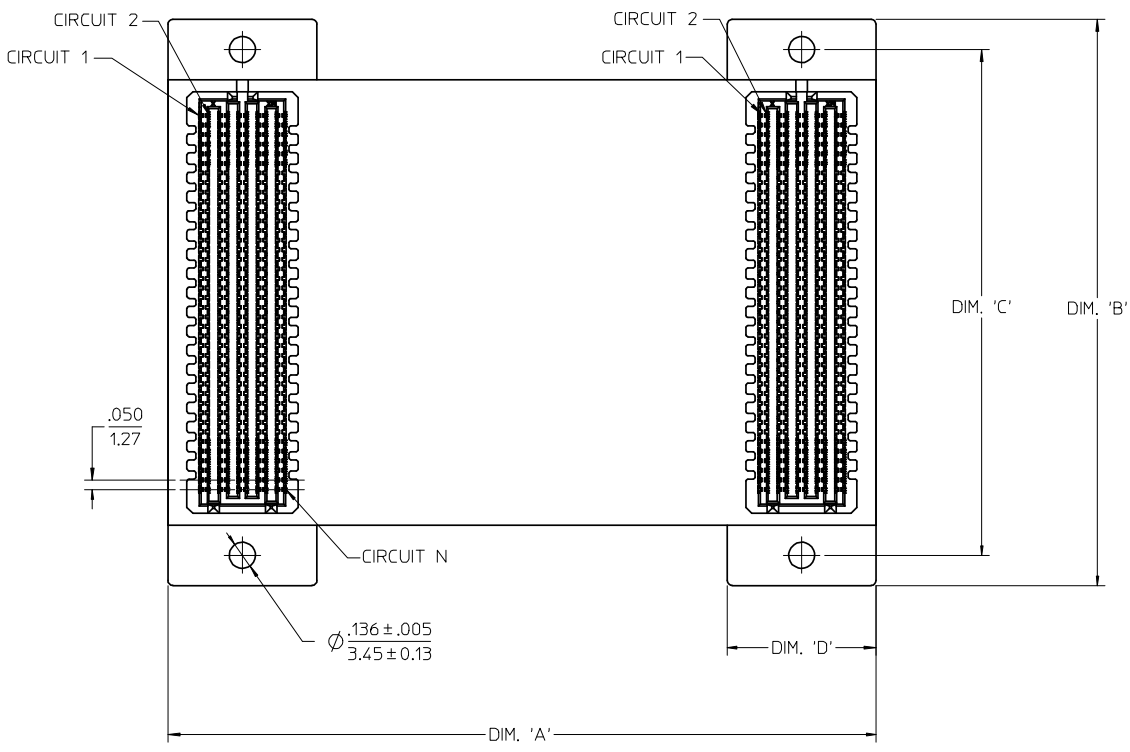
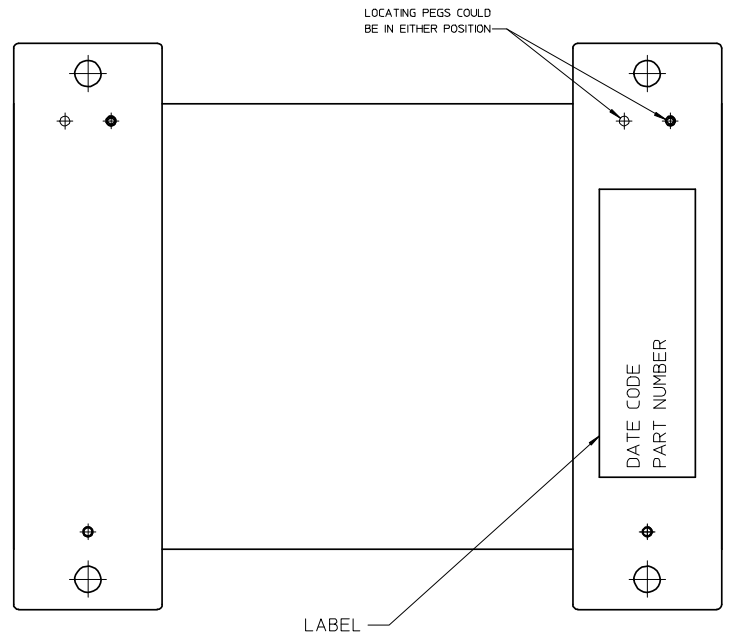


- NOTES:
1. MATERIALS:
 TERMINALS: COPPER ALLOY
 HOUSING: HIGH TEMP THERMOPLASTIC, COLOR: BLACK, 94V-0
 FLEX CIRCUIT - POLYIMIDE
 HARDBOARD - FR4
 2. PLATING: SELECTIVE GOLD IN CONTACT AREA OVER NICKEL, TIN ON TAIL OVER NICKEL.
 3. PACKAGING: PARTS TO BE PACKAGED PER PK-110299-001.
 4. FOR POINT-TO-POINT PINOUT ON ALL CIRCUIT SIZES SEE SHEET 2.
 5. CONFORMS TO IPC-6011 "GENERIC PERFORMANCE SPECIFICATION FOR PRINTED BOARDS".
 IPC-6013A "QUALIFICATION AND PERFORMANCE SPECIFICATION FOR FLEXIBLE PRINTED BOARDS".
 IPC-A-610, CLASS 2 "ACCEPTABILITY OF ELECTRONIC ASSEMBLIES".
 IPC-A-600, CLASS 2 ACCEPTABILITY OF PRINTED BOARDS".
 6. ELECTRICAL TESTING: 100% CONTINUITY CHECK.
 7. ASSEMBLY IS RoHS COMPLIANT.

INITIAL RELEASE EC NO: CFP2008-0004 DRWNSCHMIDG 2008/03/11 CHKD: APPR: 2008/05/02	DESCRIPTION
REV A	

QUALITY SYMBOLS	GENERAL TOLERANCES (UNLESS SPECIFIED)
$\nabla=0$	
$\nabla=0$	
	ANGULAR $\pm 1/2^\circ$
	DRAFT WHERE APPLICABLE MUST REMAIN WITHIN DIMENSIONS

DIMENSION STYLE MM/IN		SCALE 2:1	DESIGN UNITS METRIC	THIRD ANGLE PROJECTION
DRAWN BY DSCHMIDGALL	DATE 10/25/2006	TITLE SEARAY (PLUG) FLEX CIRCUIT ASSEMBLY		
CHECKED BY	DATE	MOLEX INCORPORATED		
APPROVED BY	DATE	SD-110299-001		
MATERIAL NO. SEE CHART	DOCUMENT NO.	SHEET NO. 1 OF 4		
THIS DRAWING CONTAINS INFORMATION THAT IS PROPRIETARY TO MOLEX INCORPORATED AND SHOULD NOT BE USED WITHOUT WRITTEN PERMISSION				



- NOTES:
1. MATERIALS:
 TERMINALS: COPPER ALLOY
 HOUSING: HIGH TEMP THERMOPLASTIC, COLOR: BLACK, 94V-0
 FLEX CIRCUIT - POLYIMIDE
 HARDBOARD - FR4
 2. PLATING: SELECTIVE GOLD IN CONTACT AREA OVER NICKEL, TIN ON TAIL OVER NICKEL.
 3. PACKAGING: PARTS TO BE PACKAGED PER PK-110299-001.
 4. FOR POINT-TO-POINT PINOUT ON ALL CIRCUIT SIZES SEE SHEET 2.
 5. CONFORMS TO IPC-6011 "GENERIC PERFORMANCE SPECIFICATION FOR PRINTED BOARDS".
 IPC-6013A "QUALIFICATION AND PERFORMANCE SPECIFICATION FOR FLEXIBLE PRINTED BOARDS".
 IPC-A-610, CLASS 2 "ACCEPTABILITY OF ELECTRONIC ASSEMBLIES".
 IPC-A-600, CLASS 2 ACCEPTABILITY OF PRINTED BOARDS".
 6. ELECTRICAL TESTING: 100% CONTINUITY CHECK.
 7. ASSEMBLY IS RoHS COMPLIANT.

INITIAL RELEASE EC NO: CFP2008-0004 DRWNSCHMIDG 2008/03/11 CHKD: APPR: 2008/05/02	QUALITY SYMBOLS ▽=0 ▽=0	GENERAL TOLERANCES (UNLESS SPECIFIED) <table border="1"> <thead> <tr> <th></th> <th>mm</th> <th>INCH</th> </tr> </thead> <tbody> <tr> <td>4 PLACES</td> <td>± .---</td> <td>± .---</td> </tr> <tr> <td>3 PLACES</td> <td>± .---</td> <td>± .010</td> </tr> <tr> <td>2 PLACES</td> <td>± 0.25</td> <td>± .---</td> </tr> <tr> <td>1 PLACE</td> <td>± .---</td> <td>± .---</td> </tr> </tbody> </table>		mm	INCH	4 PLACES	± .---	± .---	3 PLACES	± .---	± .010	2 PLACES	± 0.25	± .---	1 PLACE	± .---	± .---	DIMENSION STYLE MM/IN	SCALE 2:1	DESIGN UNITS METRIC	THIRD ANGLE PROJECTION
		mm	INCH																		
	4 PLACES	± .---	± .---																		
	3 PLACES	± .---	± .010																		
2 PLACES	± 0.25	± .---																			
1 PLACE	± .---	± .---																			
DRAFT WHERE APPLICABLE MUST REMAIN WITHIN DIMENSIONS	MATERIAL NO. SEE CHART	DRAWN BY DSCHMIDGALL 10/25/2006	DATE 10/25/2006	TITLE SEARAY (PLUG) FLEX CIRCUIT ASSEMBLY																	
REV A	DESCRIPTION 2008/05/02	APPROVED BY DSCHMIDGALL 10/25/2006	DATE 10/25/2006	MOLEX INCORPORATED																	
		DOCUMENT NO. SD-110299-001	SHEET NO. 1 OF 4	THIS DRAWING CONTAINS INFORMATION THAT IS PROPRIETARY TO MOLEX INCORPORATED AND SHOULD NOT BE USED WITHOUT WRITTEN PERMISSION																	

