

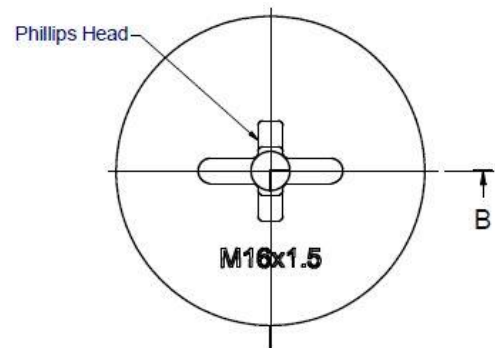
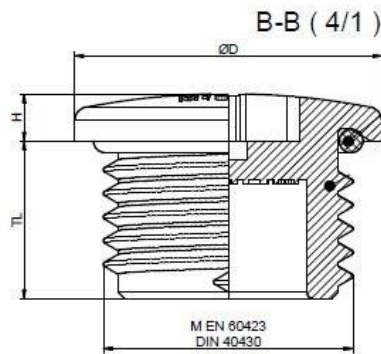
**ALPHA WIRE COMPANY**  
**CUSTOMER PRODUCT SPECIFICATION**

**Part Numbers:** HPM12-HPM32  
**Spec Number:** HPM  
**Page 1 of 1 Pages**

**Issue:** 4  
**Issue Date:** 09/05/2018  
**Effective Date:** 09/05/2018

**A. Technical Details**

- 1) Material
  - a) Body PA 6 (Polyamide 6)
  - b) O-ring CR (Chloroprene Rubber)
- 2) Color
  - a) Gray, RAL 7001
  - b) Black, RAL 9005
- 3) Flammability
  - a) V2 (According to UL94)
- 4) Temperature Rating
  - a) Permanent -20°C to +100°C
  - b) Intermittent -30°C to +150°C
- 5) Thread Type
  - a) Metric according to EN 60423



Size	Thread Length TL		Height H		Outer Ø D		Sealing Type	Part Number
	mm	inch	mm	inch	mm	inch		
M-12x1.5	6,0	0.236	3,0	0.118	15,0	0.590	O-ring	HPM12
M-16x1.5	6,0	0.236	3,4	0.134	19,5	0.768		HPM16
M-20x1.5	6,0	0.236	3,0	0.118	25,0	0.984		HPM20
M-25x1.5	10,0	0.394	4,0	0.157	30,0	1.181		HPM25
M-32X1,5	8,0	0.315	4,0	0.157	37,0	1.456		HPM32

**B. Packaging Requirements**

- 1) Standard Package 10 plugs per package

Although Alpha Wire ("Alpha") makes every reasonable effort to ensure their accuracy at the time of publication, information and specifications described herein are subject to errors or omissions and to changes without notice, and the listing of such information and specifications does not ensure product availability. Alpha provides the information and specifications herein on an "AS IS" basis, with no representations or warranties, whether express, statutory or implied. In no event will Alpha be liable for any damages (including consequential, indirect, incidental, special, punitive, or exemplary) whatsoever, even if Alpha has been advised of the possibility of such damages, whether in an action under contract, negligence or any other theory, arising out of or in connection with the use, or inability to use, the information or specifications described herein.