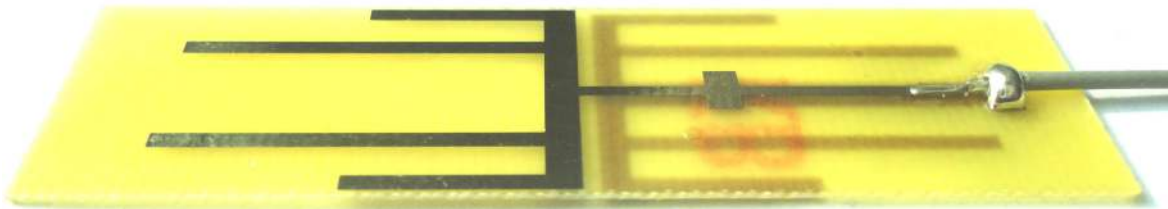
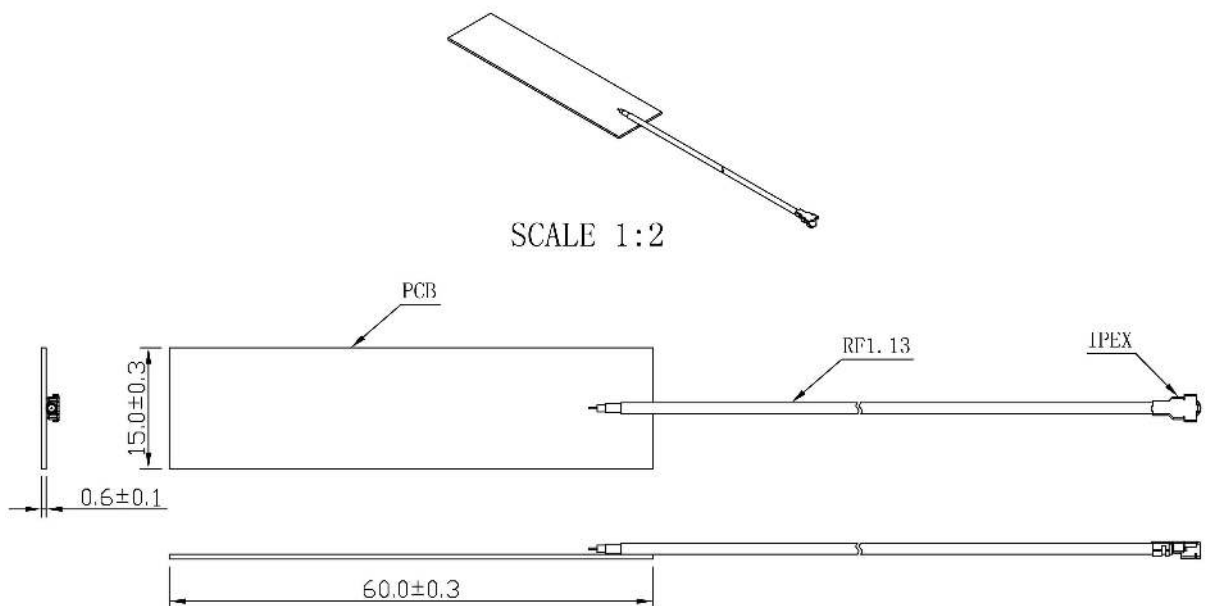


# WIFI Internal Antenna JCW414



## DIMENSIONS

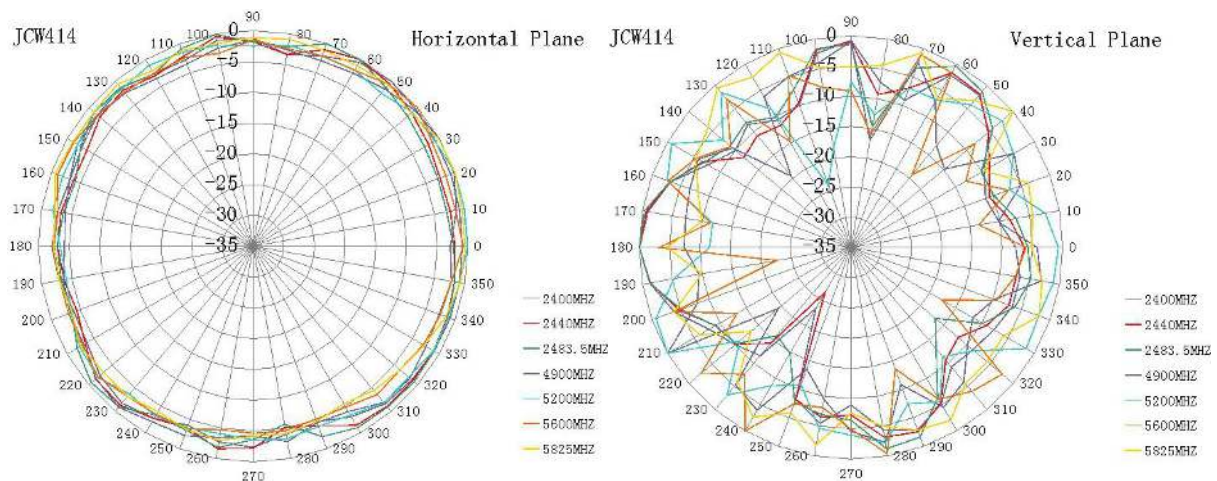


UNIT: mm

## SPECIFICATIONS

Item	Specifications	
Antenna	Frequency Range	2400~2483.5MHz/4900~5825MHz
	Polarization	Linear
	Gain	3dBi
	V.S.W.R	<2.0
	Impedance	50 Ω
	PCB Dimension	60*15*0.6mm
Mechanical	Cable	RF1.13/RF1.37 or others
	Connector	IPEX
	Mounting Method	Adhesive
Environmental	Operating Temperature	-40°C~+85°C
	Vibration	10 to 55Hz with 1.5mm amplitude 2hours
	Environmentally Friendly	ROHS Compliant

## Radiation Pattern



JIAXING JINCHANG ELECTRONIC TECHNOLOGY CO.,LTD

Add: 398#, Zhenye Road, South Street, Jiaxing, Zhejiang, China

Http:// www.jinchanggps.com

E-mail: jcgps@vip.163.com

Tel: 86-0573-83692157/83692605/83958637 Fax: 86-0573-83958635