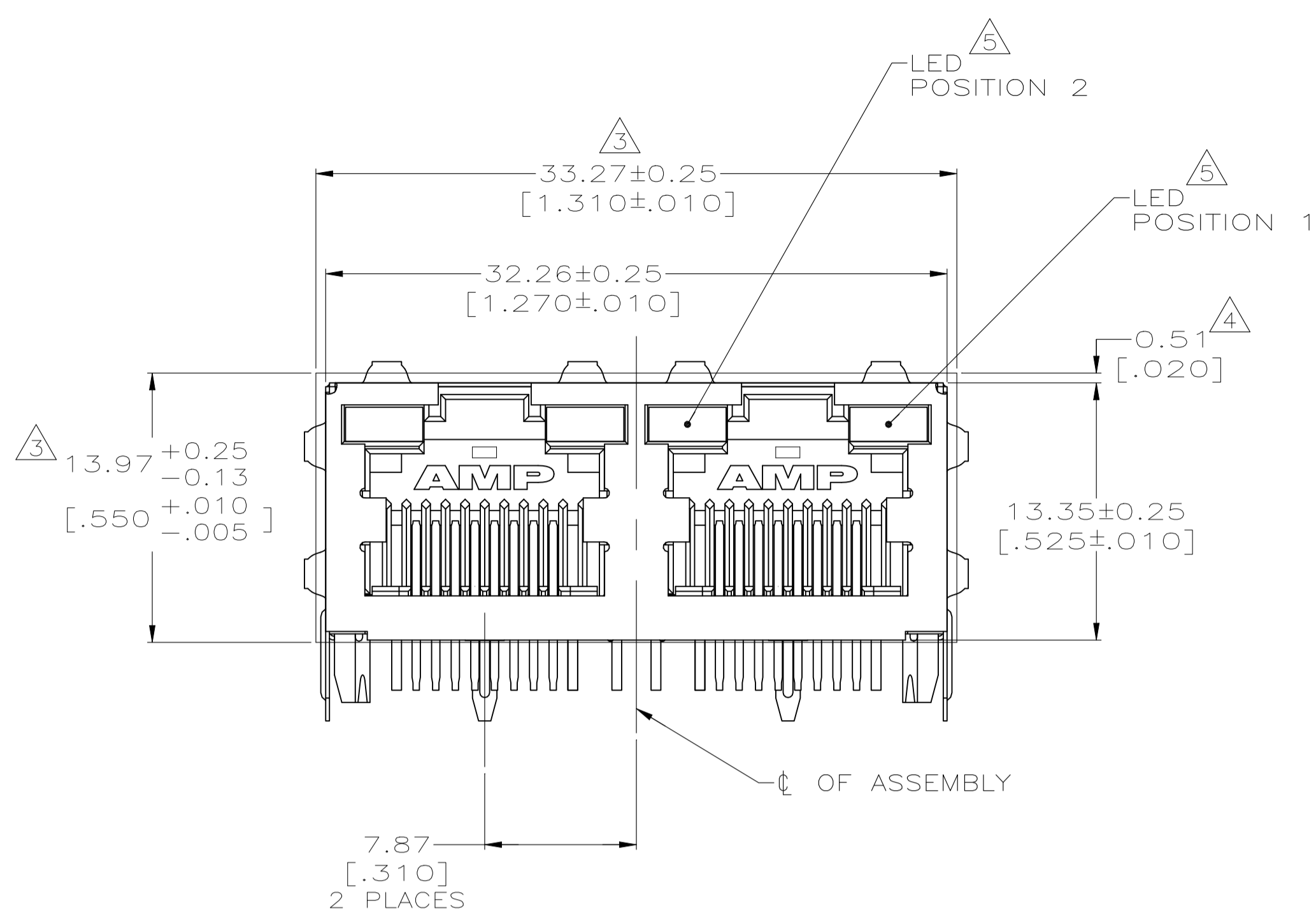
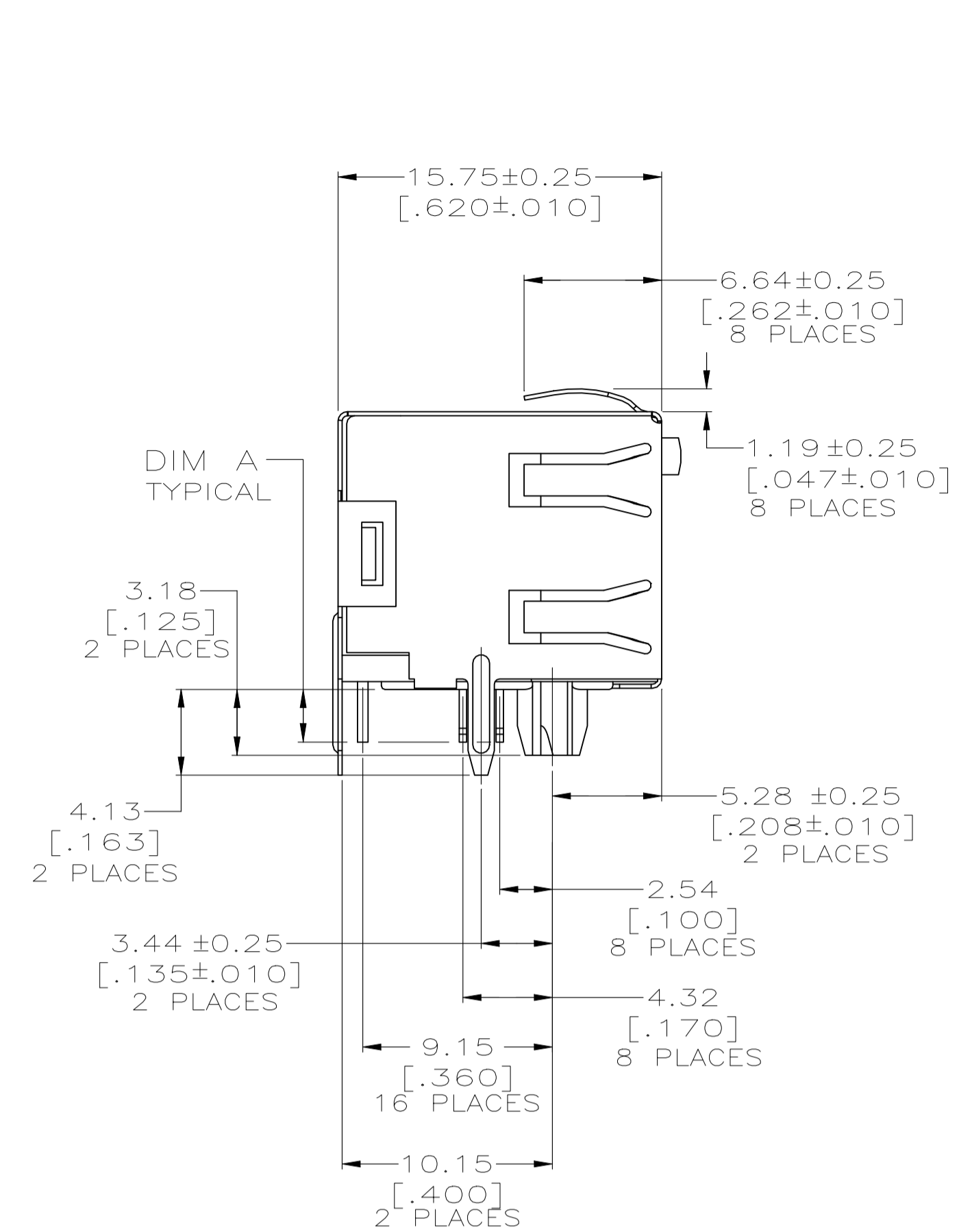
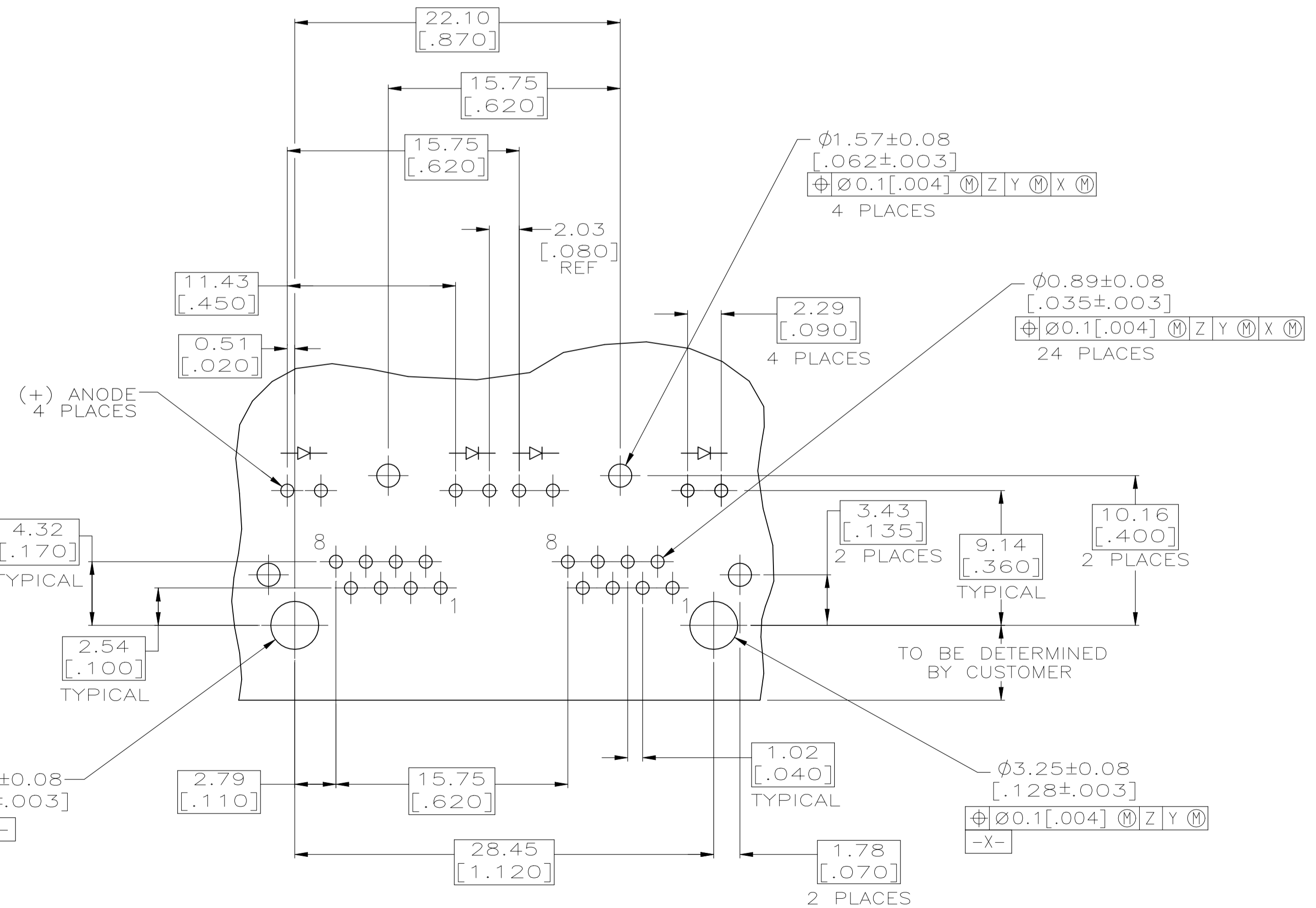
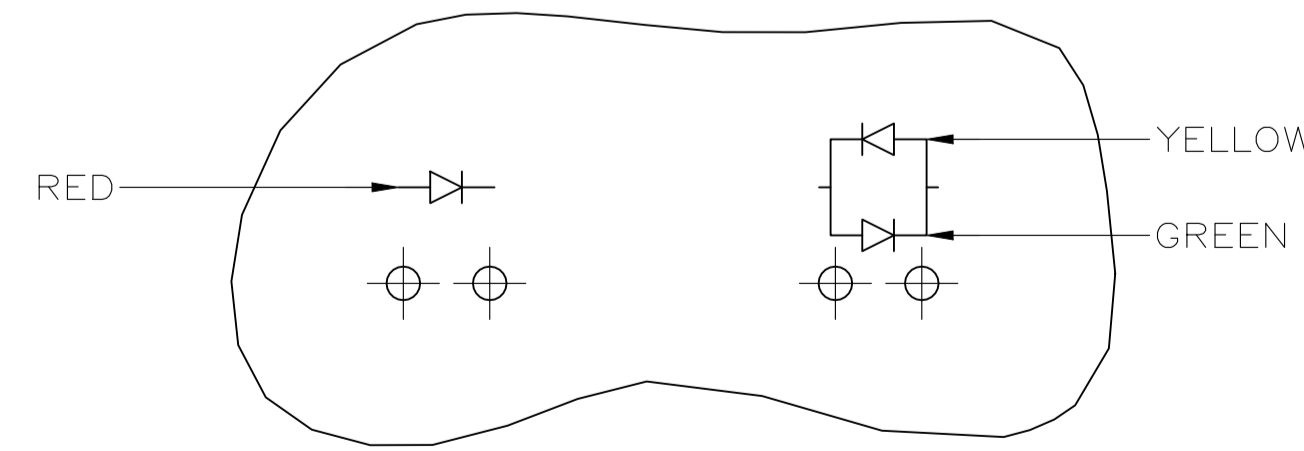
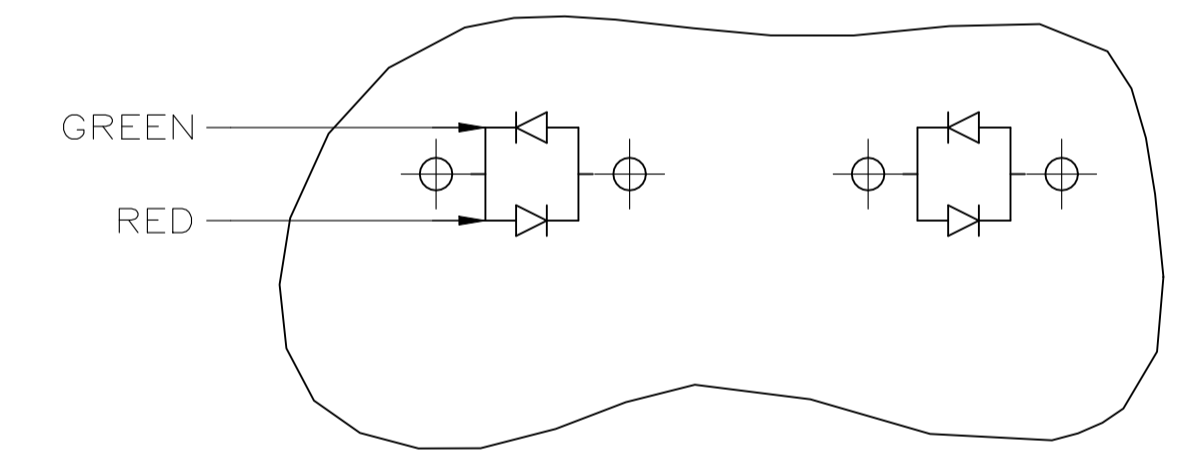
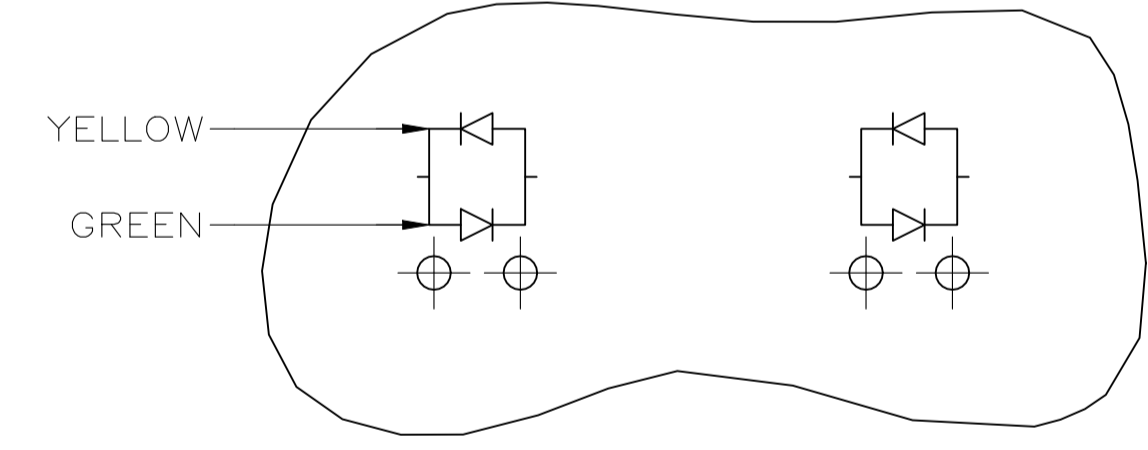
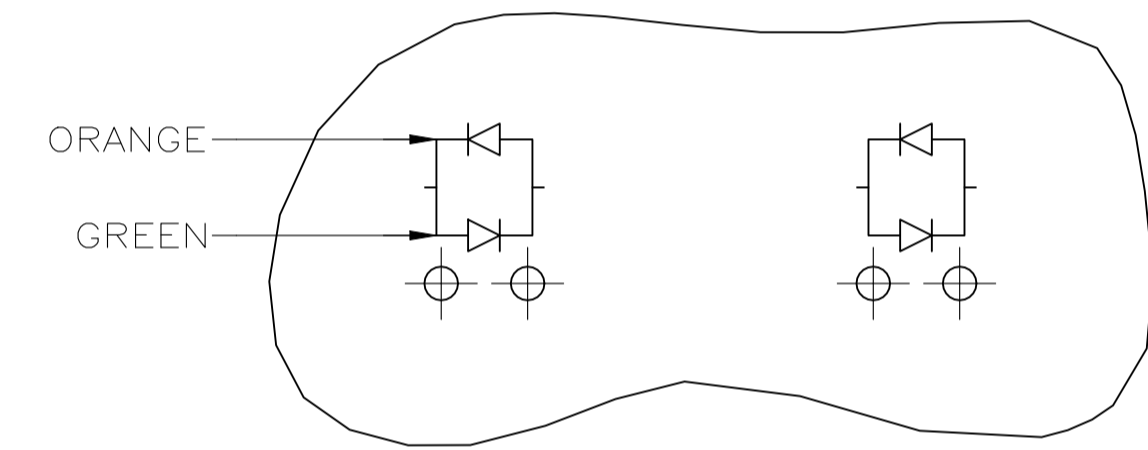


REVISIONS				
REV	DATE	BY	CHK	APPV
F	07AUG2023	JK	WH	



- MATERIAL:  
HOUSING - HIGH TEMPERATURE THERMOPLASTIC, BLACK, UL94V-0.  
TERMINALS - 0.36[.014] THICK PHOS BRONZE PLATED WITH 3.81µm[.000150] MINIMUM THICK MATTE TIN IN SOLDER AREA. 1.27µm [0.000050] MINIMUM GOLD IN LOCALIZED PLATE AREA. ENTIRE TERMINAL PLATED WITH 1.27µm [0.000050] MINIMUM THICK NICKEL.  
SHIELD - 0.196[.0077] THICK COPPER ZINC ALLOY PREPLATED WITH 1.27µm[0.000050] MINIMUM SATIN NICKEL WITH 2.03µm[0.000080] MINIMUM TIN POST DIPPED ON PCB GROUND TABS.  
LIGHT EMITTING DIODE (LED) - DIFFUSED EPOXY LENS, 0.51 x 0.51[.020 x .020] CARBON STEEL WIREFRAME LEADS PREPLATED WITH 8.89µm THICK Sn/Cu OVER 2.03µm THICK Ag OVER 1.02µm THICK Cu OVER 3.56µm THICK Ni OVER 1.02µm THICK Cu UNDERPLATE
- JACK CAVITY CONFORMS TO FCC RULES AND REGULATIONS PART 68, SUBPART F.
- SUGGESTED PANEL OPENING DIMENSIONS.
- SUGGESTED CLEARANCE BETWEEN TOP OF CONNECTOR AND TOP PANEL OPENING.
- SEE TABLE FOR COLOR OF LEDS AND NUMBER REQUIRED.
- THIS MODULAR JACK WITH INTEGRATED LED IS NOT IR REFLOW SOLDERING PROCESS COMPATIBLE.
- OBsolete PARTS: OBsolete CIS STREAMLINING PER D.RENAUD/D.SINISI
- TAPE & REEL PACKAGING, FULLY ESD COMPLIANCE.



INDICATOR COLOR FOR EACH HOUSING	POSITION 2	POSITION 1	PART NUMBER
GREEN	YELLOW	GREEN	3-6116353-4
YELLOW	GREEN	YELLOW	3-6116353-2
YELLOW	GREEN	YELLOW	3-6116353-1
RED/GREEN	RED/GREEN	RED/GREEN	2-6116353-9
YELLOW/GREEN	YELLOW/GREEN	YELLOW/GREEN	2-6116353-8
GREEN	GREEN	GREEN	2-6116353-4
RED	YELLOW/GREEN	YELLOW/GREEN	2-6116353-3
RED/GREEN	RED/GREEN	RED/GREEN	1-6116353-3
YELLOW	GREEN	YELLOW	6116353-9
YELLOW/GREEN	YELLOW/GREEN	YELLOW/GREEN	6116353-8
ORANGE/GREEN	ORANGE/GREEN	ORANGE/GREEN	6116353-7
YELLOW	YELLOW	YELLOW	6116353-6
GREEN	GREEN	GREEN	6116353-5
GREEN	YELLOW	YELLOW	6116353-4
YELLOW	-	YELLOW	6116353-3
-	GREEN	GREEN	6116353-2
YELLOW	GREEN	GREEN	6116353-1

SUGGESTED PRINTED CIRCUIT BOARD LAYOUT (COMPONENT SIDE)

THIS DRAWING IS A CONTROLLED DOCUMENT.		DIN DL DRUMMOND/L.A.MAYER 20APR2005		TE Connectivity	
DIMENSIONS: mm [INCHES]		TOLERANCES UNLESS OTHERWISE SPECIFIED:		APVD S.FLICKINGER 20APR2005 NAME	
0. PLC	±	1. PLC	±	2. PLC	±
3. PLC	± 0.25[.01]	4. PLC	± 0.13[.005]	ANGLES	±
MATERIAL	SEE NOTE 1	FINISH	SEE NOTE 1	WEIGHT	0.000000
CUSTOMER DRAWING		SCALE	4:1	SHEET	1 of 1