

SACC-DSIV-M12-NUT-9 THR - Housing screw connection



1417989

<https://www.phoenixcontact.com/us/products/1417989>

Please be informed that the data shown in this PDF document is generated from our online catalog. Please find the complete data in the user documentation. Our general terms of use for downloads are valid.



Housing screw connection, Front mounting, Alternative product in accordance with RoHS II without Exemption 6c (Pb <0.1%) item no.: 1239181

Your advantages

- Easy device integration, thanks to mechanical port screw connections with threaded fastening
- Flexible PCB assembly: two-piece connectors for wave and THR soldering

Commercial data

Item number	1417989
Packing unit	1 pc
Minimum order quantity	100 pc
Sales key	AB23
Product key	ABQACI
GTIN	4055626276984
Weight per piece (including packing)	9.12 g
Weight per piece (excluding packing)	9.12 g
Customs tariff number	85366990
Country of origin	DE

SACC-DSIV-M12-NUT-9 THR - Housing screw connection



1417989

<https://www.phoenixcontact.com/us/products/1417989>

Technical data

Notes

General	The electrical and mechanical data specified assume that the connector pair is correctly locked and mounted. If the connector is unlocked and if there is a danger of contamination, the connector must be sealed using a protective cap > IP54. Influences arising from litz wires, cables or PCB assembly must also be taken into consideration.
General	If necessary, order locking nut separately

Product properties

Product type	Panel mounting base
Thread type	M12

Material specifications

Material	Brass, nickel-plated
Material for screw connection	Brass, nickel-plated

Environmental and real-life conditions

Ambient conditions

Degree of protection (when plugged in)	IP67 (correctly plugged in and locked)
Degree of protection	IP67 (correctly plugged in and locked) IP67, when in locked state
Ambient temperature (operation)	-25 °C ... 85 °C (Plug / socket) -40 °C ... 85 °C (without mechanical actuation)

Standards and regulations

M12

Standard designation	M12 connector
Standards/specifications	IEC 61076-2-101
Note	In line with

Mounting

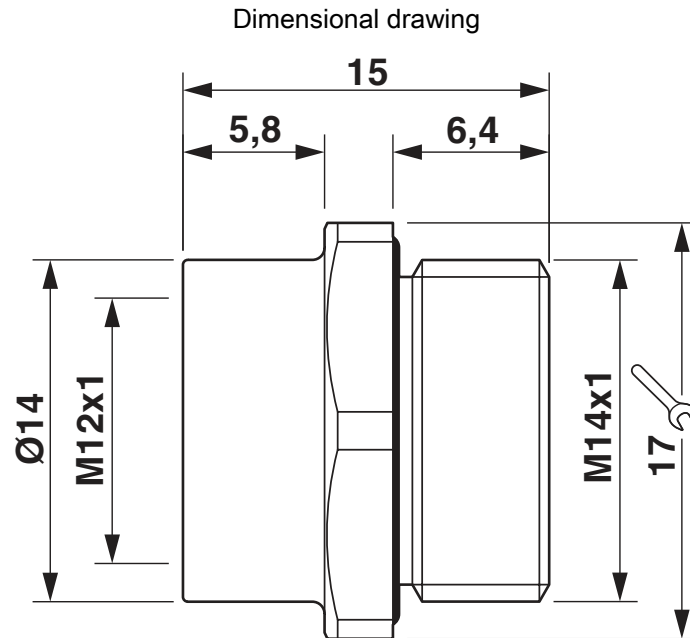
Mounting type	Front mounting
---------------	----------------

SACC-DSIV-M12-NUT-9 THR - Housing screw connection

1417989

<https://www.phoenixcontact.com/us/products/1417989>

Drawings



Dimensional drawing

SACC-DSIV-M12-NUT-9 THR - Housing screw connection



1417989

<https://www.phoenixcontact.com/us/products/1417989>

Approvals

🔗 To download certificates, visit the product detail page: <https://www.phoenixcontact.com/us/products/1417989>



EAC

Approval ID: B.01687

SACC-DSIV-M12-NUT-9 THR - Housing screw connection



1417989

<https://www.phoenixcontact.com/us/products/1417989>

Classifications

ECLASS

ECLASS-11.0	27440224
ECLASS-12.0	27440224
ECLASS-13.0	27440224

UNSPSC

UNSPSC 21.0	39121100
-------------	----------

SACC-DSIV-M12-NUT-9 THR - Housing screw connection



1417989

<https://www.phoenixcontact.com/us/products/1417989>

Environmental product compliance

REACH SVHC	Lead 7439-92-1
China RoHS	Environmentally Friendly Use Period = 50 years
	For information on hazardous substances, refer to the manufacturer's declaration available under "Downloads"

SACC-DSIV-M12-NUT-9 THR - Housing screw connection



1417989

<https://www.phoenixcontact.com/us/products/1417989>

Accessories

SACC-M14-NUT - Flat nut

1412077

<https://www.phoenixcontact.com/us/products/1412077>

Flat nut, Screw mounting, M14 x 1, Alternative product in accordance with RoHS II without Exemption 6c (Pb <0.1%) item no.: 1238969



Phoenix Contact 2023 © - all rights reserved
<https://www.phoenixcontact.com>

Phoenix Contact USA
586 Fulling Mill Road
Middletown, PA 17057, United States
(+717) 944-1300
info@phoenixcon.com