

THIS DRAWING IS UNPUBLISHED.

RELEASED FOR PUBLICATION

20

© COPYRIGHT 20 BY -

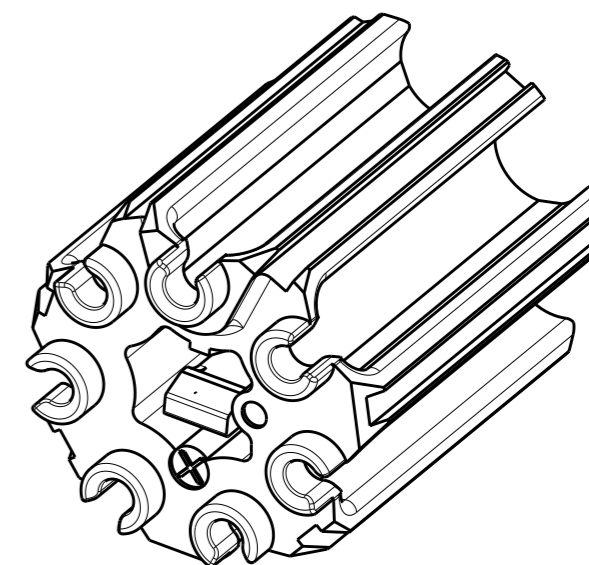
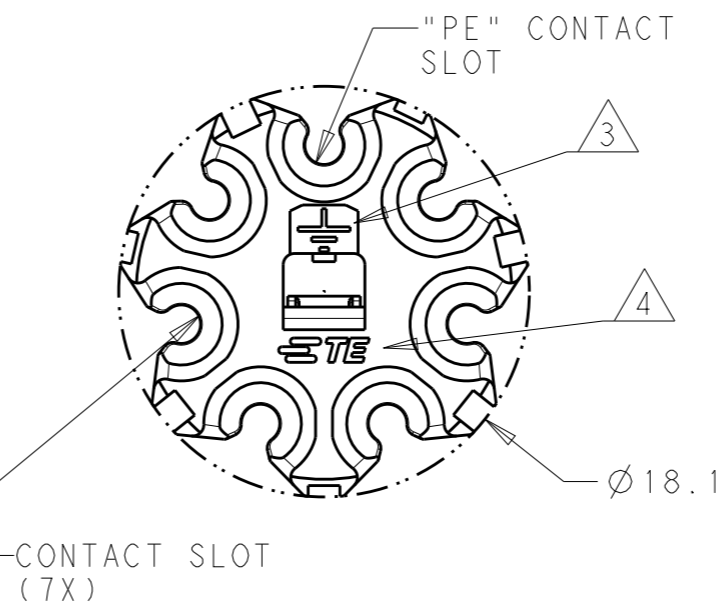
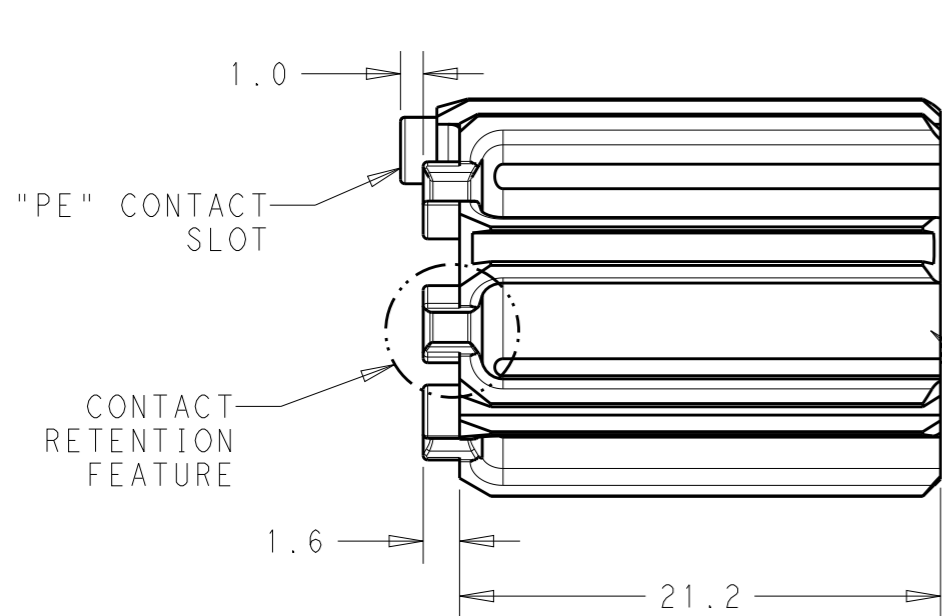
ALL RIGHTS RESERVED.

REVISIONS

P	LTR	DESCRIPTION	DATE	DWN	APVD
	A	REVISED AS PER ECR-15-005925	21APR2015	RS	JL

NOTES:

1. MATERIAL - GLASS FILLED PBT, COLOR BLACK
2. MUST COMPLY WITH DIRECTIVE 2002/95/EC (ROHS)
3. "PE" SYMBOL ALIGNS WITH "PE" CONTACT SLOT
4. TE LOGO
5. THIS PRODUCT HAS NOT COMPLETED VALIDATION TESTING



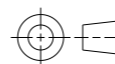
2213226-3

PART NO.

THIS DRAWING IS A CONTROLLED DOCUMENT.

DIMENSIONS:

mm



TOLERANCES UNLESS OTHERWISE SPECIFIED:

0 PLC	±-
1 PLC	±0.2
2 PLC	±0.13
3 PLC	±-
4 PLC	±-
ANGLES	±-

MATERIAL NOTE 1

FINISH

-

DWN J. SHAFFER 15JAN2014

CHK M. LUKSIC 15JAN2014

APVD M. LUKSIC 15JAN2014

PRODUCT SPEC 108-133014

APPLICATION SPEC 114-32111

WEIGHT -

Customer Drawing



TE Connectivity

NAME CONTACT POSITIONER, 5/6/7 POSITION, SEALED, NECTOR M-LINE

SIZE A3 CAGE CODE - DRAWING NO. C-2213226 RESTRICTED TO -

SCALE 2:1 SHEET 1 OF 1 REV A