

# HC-COM-HHFS-1STM25-EL-AL - Housing



1078592

<https://www.phoenixcontact.com/us/products/1078592>

Please be informed that the data shown in this PDF document is generated from our online catalog. Please find the complete data in the user documentation. Our general terms of use for downloads are valid.



Sleeve housing COM, for single locking latch, material: Die-cast aluminum, salt water resistant, cable outlets: 1, lateral, 1x M25, height: 68 mm, cable gland: none, Standard

## Your advantages

- Good shielding in the event of electromagnetic interference

## Commercial data

Item number	1078592
Packing unit	1 pc
Minimum order quantity	1 pc
Sales key	BF59
Product key	BF7APP
Catalog page	Page 653 (C-2-2019)
GTIN	4055626794105
Weight per piece (including packing)	81.8 g
Weight per piece (excluding packing)	81 g
Customs tariff number	76169990
Country of origin	CN

# HC-COM-HHFS-1STM25-EL-AL - Housing

1078592

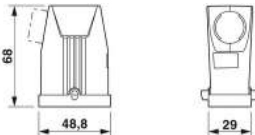
<https://www.phoenixcontact.com/us/products/1078592>

## Technical data

### Product properties

Type	COM
Product type	Housing with locking latch
Application	Standard
No. of cable outlets	1
Type of the screw connection	1x M25
Housing type	Sleeve housing
Series	HC-COM
Cable outlet	lateral
Pg screw connection	none

### Dimensions

Dimensional drawing	
Width	39 mm
Height	68 mm
Length	48.8 mm

### Material specifications

Housing material	Die-cast aluminum, salt water resistant
------------------	---

### Mechanical properties

#### Mechanical data

Type of the screw connection	1x M25
Locking type	Pin

### Environmental and real-life conditions

#### Ambient conditions

Degree of protection	IP66
Ambient temperature (operation)	-40 °C ... 125 °C

# HC-COM-HHFS-1STM25-EL-AL - Housing

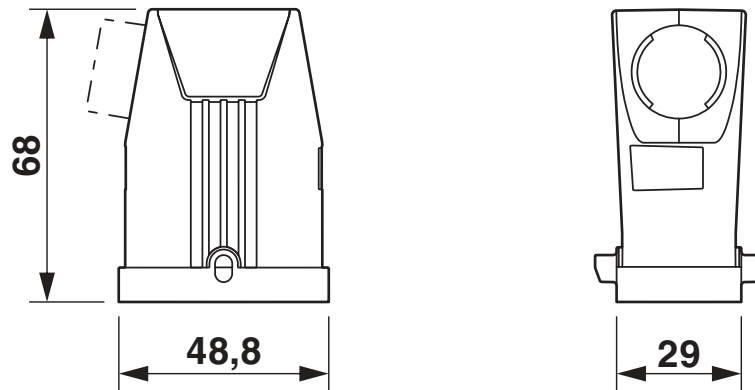
1078592

<https://www.phoenixcontact.com/us/products/1078592>



## Drawings

Dimensional drawing



1078592

<https://www.phoenixcontact.com/us/products/1078592>

## Approvals

To download certificates, visit the product detail page: <https://www.phoenixcontact.com/us/products/1078592>



**cUL Recognized**

Approval ID: E255026



**UL Recognized**

Approval ID: E255026



**EAC**

Approval ID: RU C-DE.BL08.B.00511

**cULus Recognized**

1078592

<https://www.phoenixcontact.com/us/products/1078592>

## Classifications

### ECLASS

ECLASS-11.0	27440202
ECLASS-12.0	27440202
ECLASS-13.0	27440202

### ETIM

ETIM 8.0	EC000437
----------	----------

### UNSPSC

UNSPSC 21.0	31261500
-------------	----------

# HC-COM-HHFS-1STM25-EL-AL - Housing



1078592

<https://www.phoenixcontact.com/us/products/1078592>

## Environmental product compliance

China RoHS	Environmentally friendly use period: unlimited = EFUP-e
	No hazardous substances above threshold values

# HC-COM-HHFS-1STM25-EL-AL - Housing



1078592

<https://www.phoenixcontact.com/us/products/1078592>

## Accessories

### HC-COM-HCWS-PLR-BK - Protective cover

1079394

<https://www.phoenixcontact.com/us/products/1079394>



Protective cover COM, with single locking latch, protective cover material: PA, height: 20.5 mm, seal: yes, Standard, for socket inserts

---

### HC-COM-HCWS-PL-BK - Protective cover

1079395

<https://www.phoenixcontact.com/us/products/1079395>



Protective cover COM, with single locking latch, protective cover material: PA, height: 20.5 mm, seal: no, Standard, for pin inserts

# HC-COM-HHFS-1STM25-EL-AL - Housing

1078592

<https://www.phoenixcontact.com/us/products/1078592>

## G-INS-M25-M68N-NNES-S - Cable gland

1411165

<https://www.phoenixcontact.com/us/products/1411165>



Cable gland, material for screw connection: Brass, nickel-plated, external cable diameter 11 mm ... 17 mm, shielding: no, connecting thread: M25 x 1.5, color: silver, with O-ring

---

## G-INSEC-M25-S68N-NCRS-S - Cable gland

1411190

<https://www.phoenixcontact.com/us/products/1411190>



Cable gland, material for screw connection: Brass, nickel-plated, external cable diameter 11 mm ... 16 mm, shielding: yes, connecting thread: M25 x 1.5, color: silver, with O-ring



# HC-COM-HHFS-1STM25-EL-AL - Housing



1078592

<https://www.phoenixcontact.com/us/products/1078592>

## US-EMLP-HA (20X9) - Plastic label

0830989

<https://www.phoenixcontact.com/us/products/0830989>



Plastic label, Card, white, unlabeled, can be labeled with: BLUEMARK ID COLOR, BLUEMARK ID, THERMOMARK PRIME, THERMOMARK CARD 2.0, THERMOMARK CARD, mounting type: adhesive, lettering field size: 20 x 9 mm, Number of individual labels: 70

---

## US-EMLP-HA (20X9) CUS - Plastic label

0830995

<https://www.phoenixcontact.com/us/products/0830995>



Plastic label, Card, white, labeled, can be labeled with: THERMOMARK CARD, mounting type: adhesive, lettering field size: 20 x 9 mm, Number of individual labels: 70

# HC-COM-HHFS-1STM25-EL-AL - Housing

1078592

<https://www.phoenixcontact.com/us/products/1078592>

WP-G HF IP66 M25 BK - Screw connection

3240899

<https://www.phoenixcontact.com/us/products/3240899>



Cable gland, metric thread, IP66 protection, straight

---

WP-G HF IP69K M25 BK - Screw connection

3240885

<https://www.phoenixcontact.com/us/products/3240885>



Cable gland, metric thread, IP68/69k protection, straight

# HC-COM-HHFS-1STM25-EL-AL - Housing

1078592

<https://www.phoenixcontact.com/us/products/1078592>

WP-GA HF IP66 M25 BK - Screw connection

3240927

<https://www.phoenixcontact.com/us/products/3240927>

Cable gland, metric thread, IP66 protection, angled



---

WP-GA HF IP69K M25 BK - Screw connection

3240913

<https://www.phoenixcontact.com/us/products/3240913>

Cable gland, metric thread, IP68/69k protection, angled



# HC-COM-HHFS-1STM25-EL-AL - Housing

1078592

<https://www.phoenixcontact.com/us/products/1078592>



## WP-GR HF IP66 M25 BK - Screw connection

3240955

<https://www.phoenixcontact.com/us/products/3240955>



Cable gland, metric thread, IP66 protection, with strain relief

---

## WP-GR HF IP69K M25 BK - Screw connection

3240941

<https://www.phoenixcontact.com/us/products/3240941>



Cable gland, metric thread, IP68/69k protection, with strain relief

# HC-COM-HHFS-1STM25-EL-AL - Housing

1078592

<https://www.phoenixcontact.com/us/products/1078592>

## WP-G PP HF M25 - Screw connection

3240999

<https://www.phoenixcontact.com/us/products/3240999>



Cable gland made from PP with metric thread, IP65 protection

---

## WP-GT PP HF M25 - Screw connection

3241013

<https://www.phoenixcontact.com/us/products/3241013>



Cable gland made from PP with metric thread, rotatable, IP54 protection

# HC-COM-HHFS-1STM25-EL-AL - Housing

1078592

<https://www.phoenixcontact.com/us/products/1078592>

## WP-G BRASS IP40 M25 - Screw connection

3241048

<https://www.phoenixcontact.com/us/products/3241048>



Cable gland made from brass with metric thread, IP40 protection

---

## WP-GT BRASS M25 - Screw connection

3241034

<https://www.phoenixcontact.com/us/products/3241034>



Cable gland made from brass with metric thread, rotatable, IP40 protection

# HC-COM-HHFS-1STM25-EL-AL - Housing

1078592

<https://www.phoenixcontact.com/us/products/1078592>



WP-G BRASS IP65 M25 - Screw connection

3241062

<https://www.phoenixcontact.com/us/products/3241062>



Cable gland made from brass with metric thread, IP65 protection

---

Phoenix Contact 2023 © - all rights reserved

<https://www.phoenixcontact.com>

Phoenix Contact USA  
586 Fulling Mill Road  
Middletown, PA 17057, United States  
(+717) 944-1300  
[info@phoenixcon.com](mailto:info@phoenixcon.com)