

# SPECIFICATIONS AND ORDERING INFORMATION

# E3 - SERIES

1 1/2" DIAMETER 1.5 AMPS @ 28 VDC

The E3 Series was designed to provide spring return action in an open frame construction. Standard construction is available with 2 or 3 positions, 30° index, and solder lug terminals.



## SPECIFICATIONS

### ELECTRICAL

**Current and Voltage Rating:** Make and break resistive load 1.5 amps @ 28 VDC; 0.5 amp @ 115 VAC.  
**Current Carrying Capacity:** 9 amps.  
**Dielectric Strength:** 1,500 VAC between current carrying parts and ground.  
**Contact Resistance:** Average initial 3.5 milliohms.  
**Insulation Resistance:** In excess of 750,000 megohms.

**Hardware:** Mounting nut and lockwasher are shipped assembled.

### MECHANICAL

**Materials and Finishes:** All parts utilize non-corrosive materials as standard.  
**Clips and Rotors:** Brass with silver plate as standard.  
**Insulation:** Glass epoxy.  
**Index:** Coil spring.  
**Index Life:** 25,000 cycles minimum.  
**Index Torque:** Switches have lowest practical torque consistent with crisp detenting and smooth, reliable operation.  
**Index Angles:** Positive 30° standard.  
**Index Stops:** Fixed stops standard.  
**Stop Strength:** 25 in. lbs. minimum.

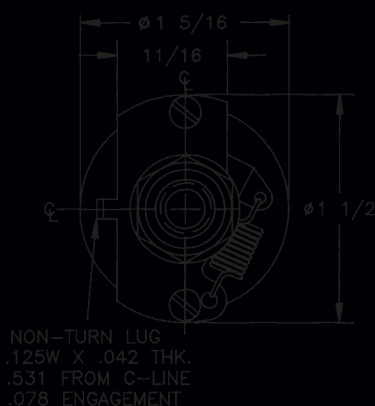
## STANDARD PART NUMBER

SPRING RETURN  
 SWITCHES - 30° INDEXING - FIXED STOPS - SOLDER LUG TERMINALS

POLES	ACTIVE POSITIONS	POLES/SECTION	NO. OF SECTIONS	SHORTING	NON-SHORTING	DESCRIPTION
04	02	4	1	E3G0402S-1	E3G0402N-1	..... SPRING RETURN FROM CLOCKWISE.
06	03	3	2	E3G0603S-2	E3G0603N-2	..... SPRING RETURN BOTH SIDES TO CENTER.
06	03	3	2	E3G0603S-3	E3G0603N-3	..... SPRING RETURN CLOCKWISE TO CENTER, POSITIVE INDEX COUNTER CLOCKWISE OF CENTER.

## DIMENSIONS

### STANDARD CONSTRUCTION



### E3G - GLASS EPOXY CONSTRUCTION

