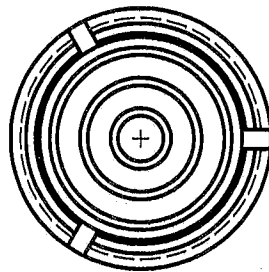
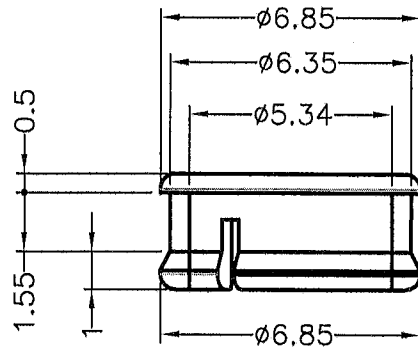



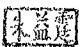
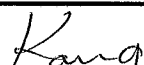
DIM.	TOL.
5mm DOWN	±0.2
5~20mm	±0.3
20~40mm	±0.4
40~60mm	±0.5
60~100mm	±0.8
100mm UP	±1.0

REVISIONS			
REV	DESCRIPTION	DATE	BY



MOUNTING HOLE  $\phi 6.35^{\pm 0.05}$

NOTE: MADE OF EQUIVALENT MATERIAL.  
使用同等材質

 <p>康揚企業股份有限公司 KANG YANG HARDWARE ENTERPRISE CO., LTD. 康揚塑膠(東莞)有限公司 KANG YANG PLASTIC(DONG GUAN) CO., LTD. 康哲電腦配件(吳江)有限公司 KANG CHE COMPUTER COMPONENTS(WUJIANG) CO., LTD.</p>				TITLE	LENS CAP	SPEC. DWG.	
				MATERIAL	PC UL94V-2	DATE	2004.08.16
				FINISH		DRAWN	Linda
				COLOR	NATURAL	CHECK	
PART NUMBER	LC5-3	DRAWING NUMBER	LC5-3	UNLESS OTHERWISE SPECIFIED TOLERANCE	SEE ABOVE	APPROVED	
SIZE	A4	SCALE	6:1	UNIT	mm	REV	A