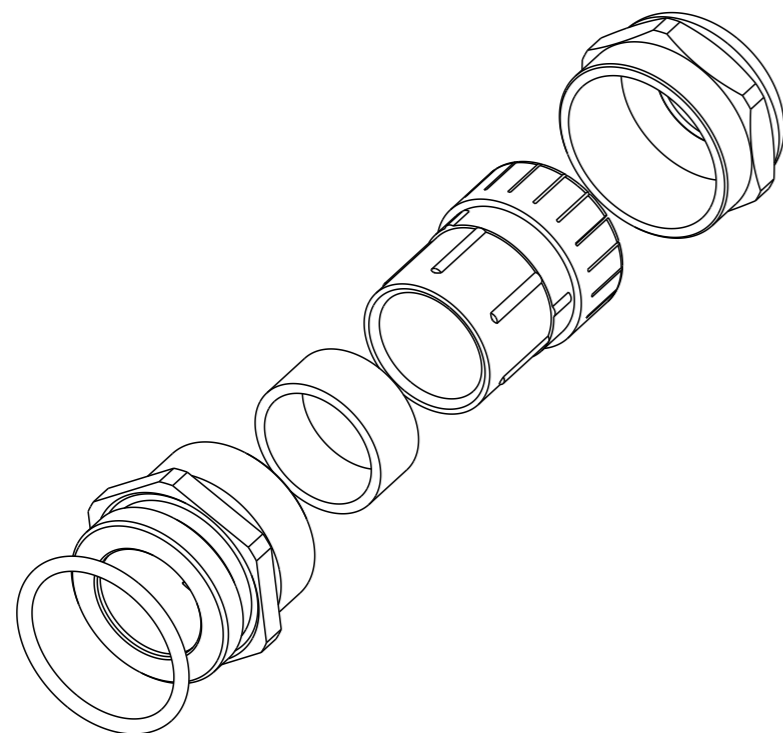
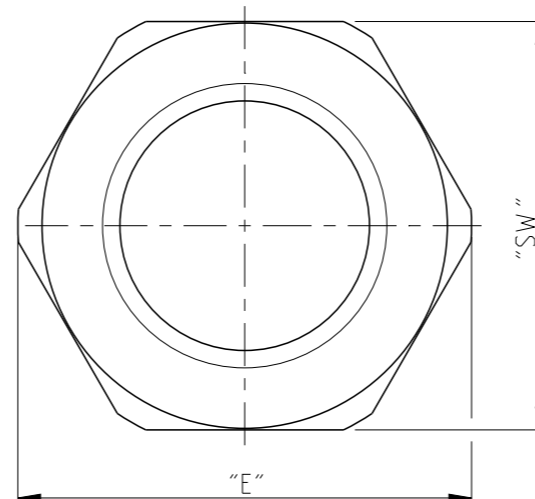
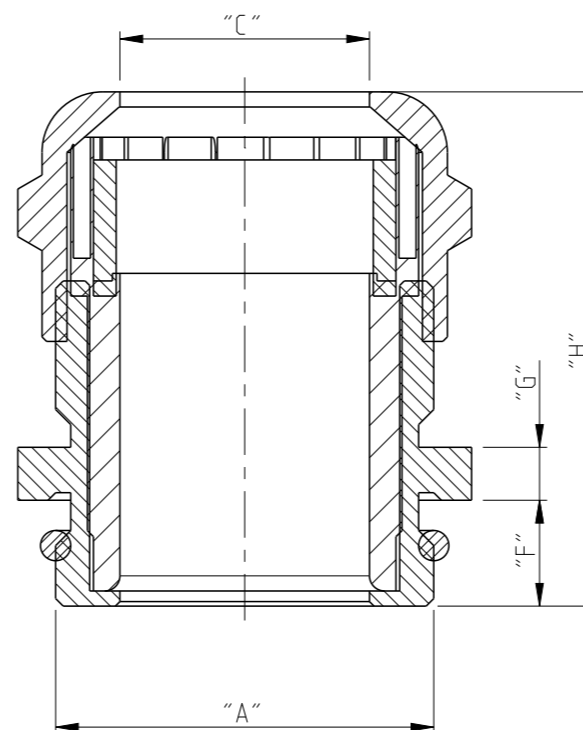


REVISIONS

P	LTR	DESCRIPTION	DATE	DWN	APVD
A2		ECR-08-019210	19OCT2009	AR	ST
A3		ECR-17-014051	04APR2018	SG	MKO



SCALE 1:1



M50	M50x1.5	∅35.3	∅60	9	4.5	47.5	55
M40	M40x1.5	∅27.3	∅46	8	4.5	41	43
M32	M32x1.5	∅21.3	∅36	8	4.5	38	34
M25	M25x1.5	∅16.3	∅30	7	3.5	36.5	27
M20	M20x1.5	∅13.3	∅24	6	3.5	33	22
M16	M16x1.5	∅9.1	∅19	5	3	29	17
SIZE	A	C	E	F	G	H max.	SW

DIMENSIONS

THIS DRAWING IS A CONTROLLED DOCUMENT.

DWN Schneider 20.02.2002

CHK Braun 20.02.2002

APVD -

PRODUCT SPEC -

APPLICATION SPEC -

WEIGHT -

CUSTOMER DRAWING

DIMENSIONS:		TOLERANCES UNLESS OTHERWISE SPECIFIED:	
mm			
	0 PLC	±	n.ISO 8015
	1 PLC	±	n.ISO 2768-MH-E
	2 PLC	±	n.DIN 16901-120
	3 PLC	±	
	4 PLC	±	
	ANGLES	±	
	FINISH		
MATERIAL	material_2	FINISH	finish_spec_2



TE Connectivity

NAME			
CABLE GLAND ASSY SERIES EMV, METRIC			
SIZE	CAGE CODE	DRAWING NO	RESTRICTED TO
A3	00779	C=1102772	
SCALE		SHEET	REV
2:1		1 OF 1	A3