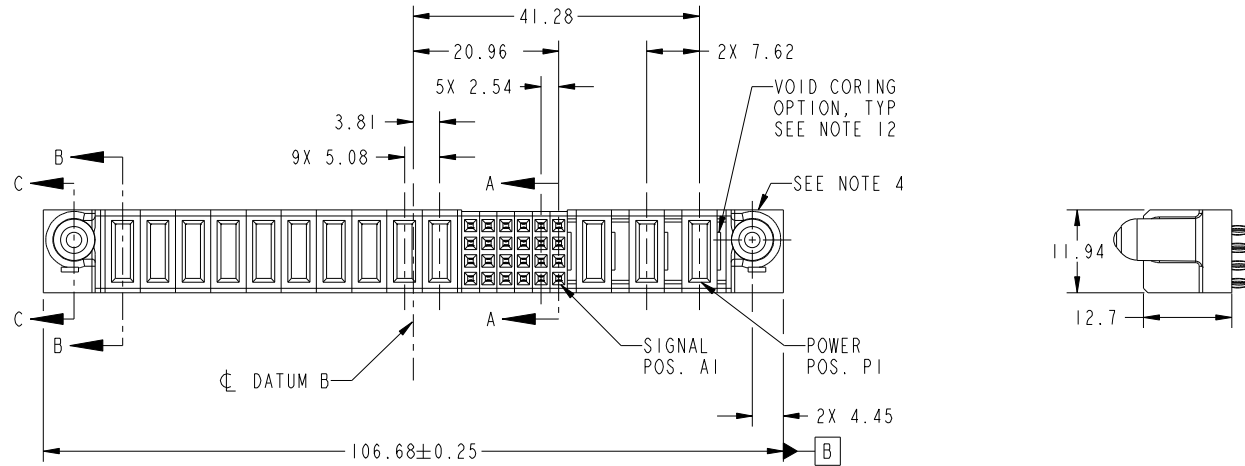


Tous droits strictement reserves. Reproduction ou communication a des tiers interdite sous quelque forme que ce soit sans autorisation écrite du propriétaire. Propriete de c FCI. Droits de reproduction FCI.



All rights strictly reserved. Reproduction or issue to third parties in any form whatever is not permitted without written authority from the proprietor. Property of FCI. Copyright FCI.

PRODUCT NO.	ROWS	POWER										SIGNAL					POWER					
		E2	P13	P12	P11	P10	P9	P8	P7	P6	P5	P4	6	5	4	3	2	1	P3	P2	P1	E1
51940-305- NOTE: 3	D C B A		PC	PC	PC	PC	PC	PC	PC	PC	PC	PC	F	F	F	F	F	F	PC	PF	PF	



CODE	DIM "M" MATING LENGTH	CONTACT TYPE
PC	[1.07]	POWER
F	[N/A]	SIGNAL
PF	[2.34]	POWER

mat'l code				SEE NOTES		tolerances unless otherwise specified		CUSTOMER	
ltr	ecn no.	dr	date	linear	0.X ±0.5	COPY		FCI www.fciconnect.com	
A	DG09-0301	WD	07/14/09	angles	0.XX ±0.25	projection		title 3ACP + 24S + 10P VERTICAL PRESS-FIT RECEPT	
					0.XXX ±0.1	MIM		product family PwrBlade code 213	
				dr	0° ±2°	scale 1:1		size dwg no 51940-305 sheet 1 of 4	
				enr	Warren Du 07/13/09				
				chr	Warren Du 07/13/09				
				appd	PM ZHENG 07/13/09				
					Joseph Hsia 07/13/09				
sheet index	revision sheet	A 1	A 2	A 3	A 4				

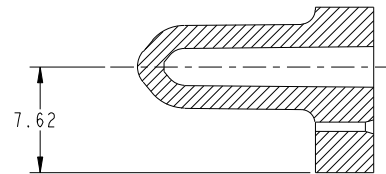
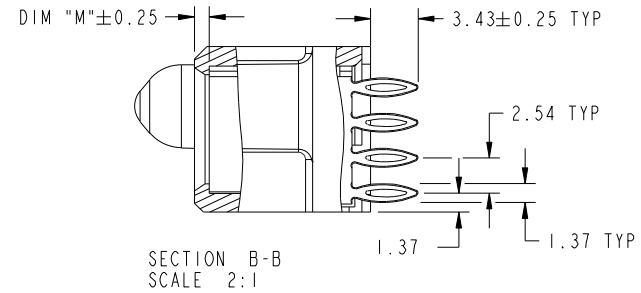
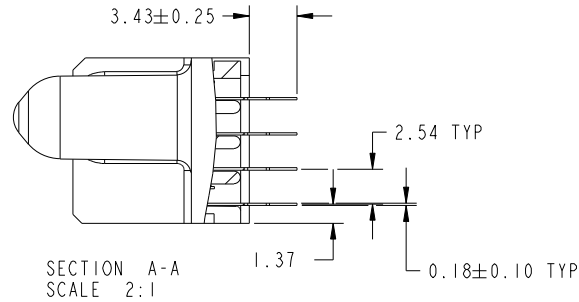
cage code 22526

Tous droits strictement reserves. Reproduction ou communication a des tiers interdite sous quelque forme que ce soit sans autorisation écrite du propriétaire. Propriete de c FCI. Droits de reproduction FCI.



All rights strictly reserved. Reproduction or issue to third parties in any form whatever is not permitted without written authority from the proprietor. Property of FCI. Copyright FCI.

PRODUCT NUMBER
51940-305_
NOTE: 3



mat'l code				tolerances unless otherwise specified		CUSTOMER		FCI	
ltr	ecn no.	dr	date	linear	0.X ± 0.5	COPY		www.fciconnect.com	
A					0.XX ± 0.25	projection		title	
					0.XXX ± 0.1			3ACP + 24S + 10P VERTICAL PRESS-FIT RECEPT	
				angles	0° ± 2°			product family PwrBlade code	
		dr	Warren Du	07/13/09		scale		size	
		enr	Warren Du	07/13/09		1:1		dwg no	
		chr	PM ZHENG	07/13/09				213	
		appd	Joseph Hsia	07/13/09				sheet	
sheet index		revision sheet						2 of 4	

cage code 22526

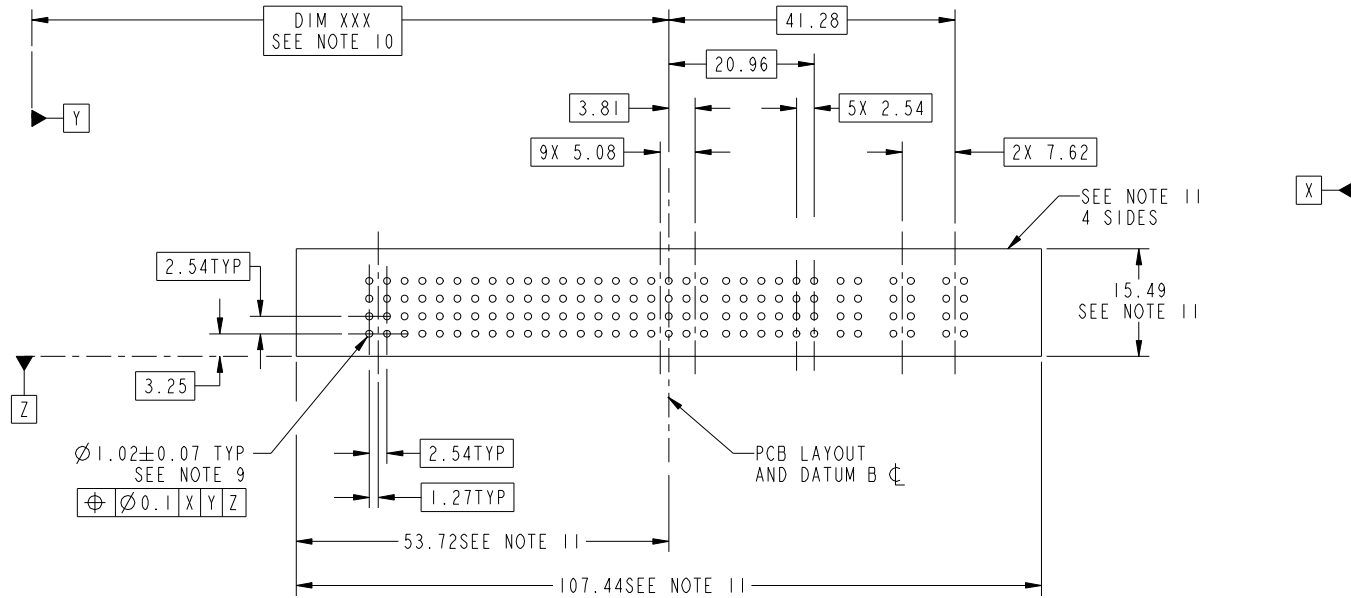
Pro/E

Tous droits strictement reserves. Reproduction ou communication a des tiers interdite sous quelque forme que ce soit sans autorisation écrite du propriétaire. Propriete de c FCI. Droits de reproduction FCI.



All rights strictly reserved. Reproduction or issue to third parties in any form whatever is not permitted without written authority from the proprietor. Property of FCI. Copyright FCI.

PRODUCT NUMBER
51940-305__
NOTE: 3



RECOMMENDED PCB LAYOUT

mat'l code				tolerances unless otherwise specified		CUSTOMER		FCI	
ltr	ecn no.	dr	date	linear	0.X ± 0.5	COPY		www.fciconnect.com	
A					0.XX ± 0.25	projection		title 3ACP + 24S + 10P VERTICAL PRESS-FIT RECEPT	
				angles	0.XXX ± 0.1	MIM		product family PwrBlade code 213	
		dr	Warren Du	07/13/09	0° ± 2°	scale		size dwg no 51940-305 sheet 3 of 4	
		enr	Warren Du	07/13/09		1:1			
		chr	PM ZHENG	07/13/09					
		appd	Joseph Hsia	07/13/09					
sheet index	revision sheet								

cage code 22526

Pro/E

Tous droits strictement reserves. Reproduction ou communication a des tiers interdite sous quelque forme que ce soit sans autorisation écrite du propriétaire. Propriete de c FCI. Droits de reproduction FCI.

All rights strictly reserved. Reproduction or issue to third parties in any form whatever is not permitted without written authority from the proprietor. Property of FCI. Copyright FCI.

PRODUCT NUMBER
51940-305_
NOTE: 3

NOTES:

1. DIMENSIONS AND TOLERANCES ARE IN ACCORDANCE WITH ASME Y14.5M, 1994 UNLESS OTHERWISE SPECIFIED.

CONNECTOR NOTES:

- 2 HOUSING MATERIAL: UL 94 V-0 GLASS FILLED HIGH-TEMP THERMOPLASTIC
POWER CONTACT MATERIAL: COPPER ALLOY
SIGNAL PIN MATERIAL: COPPER ALLOY
- 3. SEE ITEM 7 & 8 IN PRINT 10064183 FOR PLATING SPEC OF 51940-305 AND 51940-305LF RESPECTIVELY.

4 MANUFACTURER'S NAME, P/N, AND DATE CODE TO APPEAR ON THIS SURFACE.

5. PRODUCT SPECIFICATION GS-12-149.
APPLICATION SPECIFICATION BUS-20-067.

6. PACKAGED IN TRAYS.

PCB NOTES:

7. ALL HOLE DIAMETERS ARE FINISHED HOLE SIZE.

8 MOUNTING HOLES, WHERE APPLICABLE, ARE UNPLATED.

9 $\varnothing 1.151 \pm 0.025$ DRILLED HOLES PLATED WITH
0.008 MIN SnPb OR Sn OVER 0.03
TO 0.08 Cu PLATING TO ACHIEVE
 $\varnothing 1.02 \pm 0.07$ HOLE.

10 "DIM XXX" TO BE DETERMINED BY THE CUSTOMER.

11 CONNECTOR KEEP-OUT ZONE.

12. THE VOID CORING IN BETWEEN POWER MODULES, SIGNAL MODULES AND END MODULES ARE OPTIONAL AND THE SHAPE MAY BE DIFFERENT FOR OPTIMIZE THE MOLDING PROCESS. THE VOID CORING WILL NOT EFFECT TO PRODUCT FUNCTION.

mat'l code				tolerances unless otherwise specified		CUSTOMER		FCI	
ltr	ecr no.	dr	date	linear	0.X ± 0.5	COPY		www.fciconnect.com	
A				linear	0.XX ± 0.25	projection		title	
				angles	0.XXX ± 0.1			3ACP + 24S + 10P VERTICAL PRESS-FIT RECEPT	
				dr	0° ± 2°	MIM		product family PwrBlade code	
				enr	Warren Du 07/13/09			size 213	
				chr	Warren Du 07/13/09	scale		dwg no 4 of 4	
				appd	PM ZHENG 07/13/09	1:1		sheet	
					Joseph Hsia 07/13/09	A		4 of 4	
sheet index	revision sheet								

cage code 22526

Pro/E