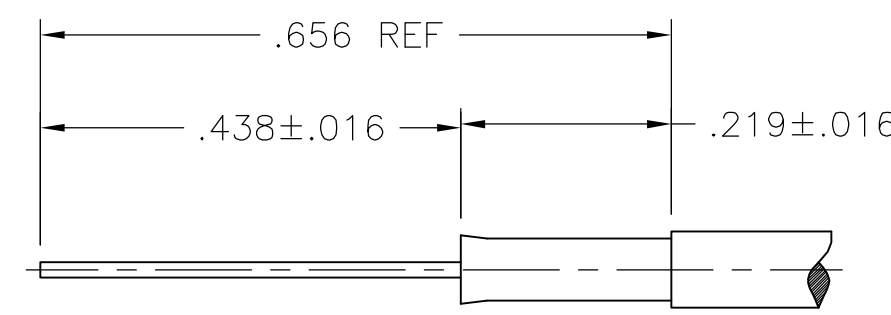
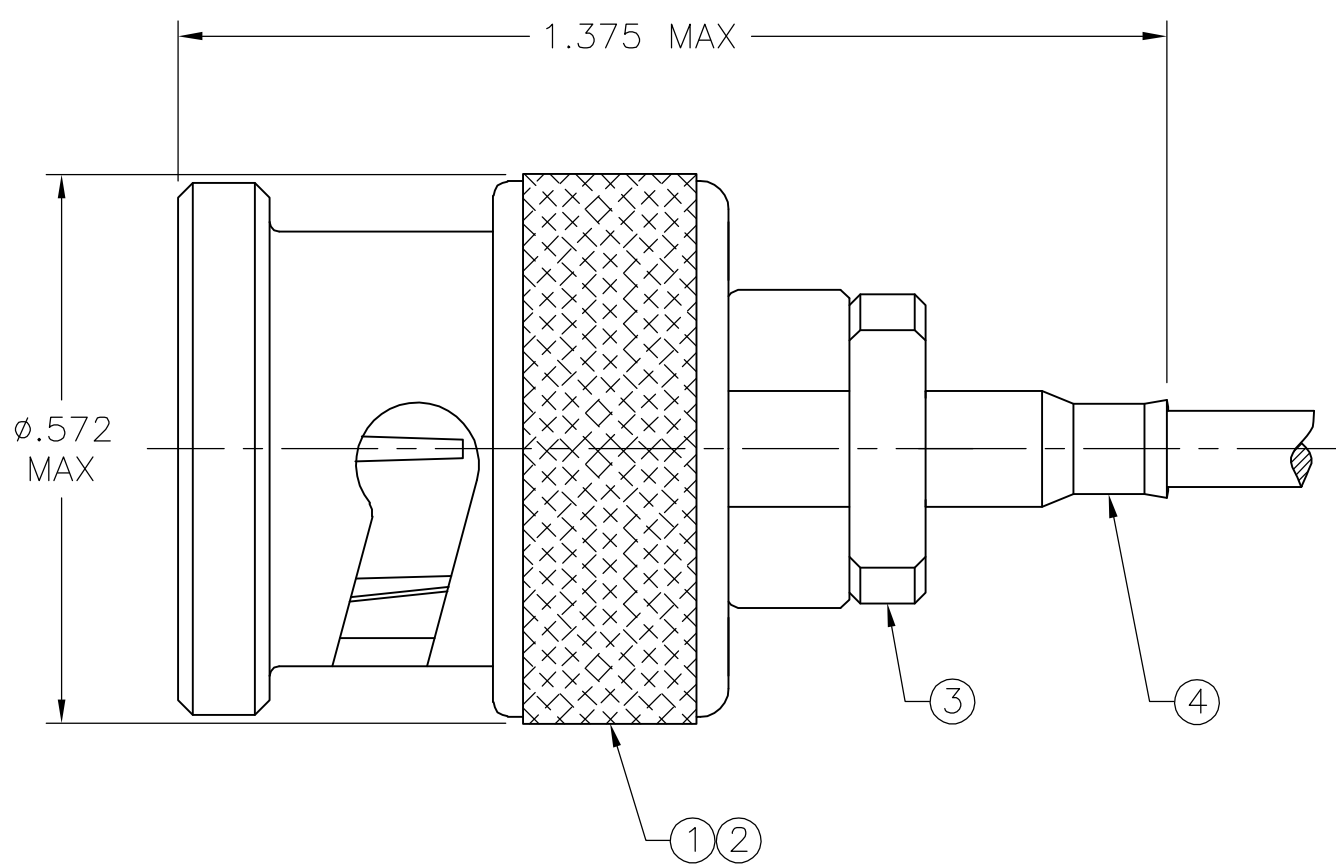


THIS DRAWING IS UNPUBLISHED. RELEASED FOR PUBLICATION
 © COPYRIGHT BY TYCO ELECTRONICS CORPORATION. ALL RIGHTS RESERVED.

LOC	DIST	REVISIONS			
P	LTR	DESCRIPTION	DATE	DWN	APVD
AJ	16	A	REV PER ECO 06-002539	07APR06	GB JH

- FOR USE WITH: RG-178/U & 196/U CABLE.
- USE CRIMPING TOOL: PROCRIMPER II 354940-1 WITH DIE SET 91910-2.
- SEE INSTRUCTION SHEET 408-1799-1.



RECOMMENDED STRIP LENGTH

9-328667-0	9-50780-4	2-329106-1	9-329804-0	5330876
④ FERRULE QTY=1	③ CRIMP END ASSY QTY=1	② GASKET QTY=1	① PLUG ASSEMBLY QTY=1	PART NUMBER
THIS DRAWING IS A CONTROLLED DOCUMENT.		DWN B. MCMASTER 15DEC05	Tyco Electronics Corporation Harrisburg, PA 17105-3608	
DIMENSIONS: INCHES		CHK J. LIPPERT 15DEC05	NAME	
		APVD J. LIPPERT 15DEC05	CONNECTOR, COAXIAL RF PLUG, SERIES BNC	
TOLERANCES UNLESS OTHERWISE SPECIFIED:		PRODUCT SPEC	RESTRICTED TO	
0 PLC ± - 1 PLC ± - 2 PLC ± - 3 PLC ± - 4 PLC ± - ANGLES ± -		APPLICATION SPEC	SIZE A3	CAGE CODE 00779
MATERIAL		WEIGHT .451 oz	DRAWING NO C-5330876	RESTRICTED TO -
FINISH		CUSTOMER DRAWING		SCALE 5:1
				SHEET 1 OF 1
				REV A