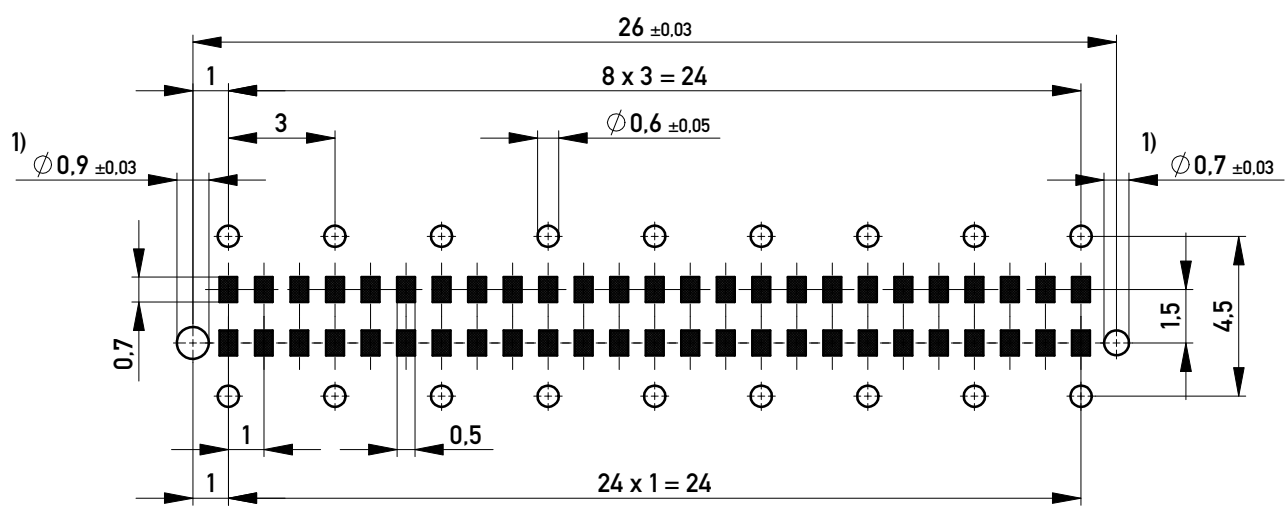
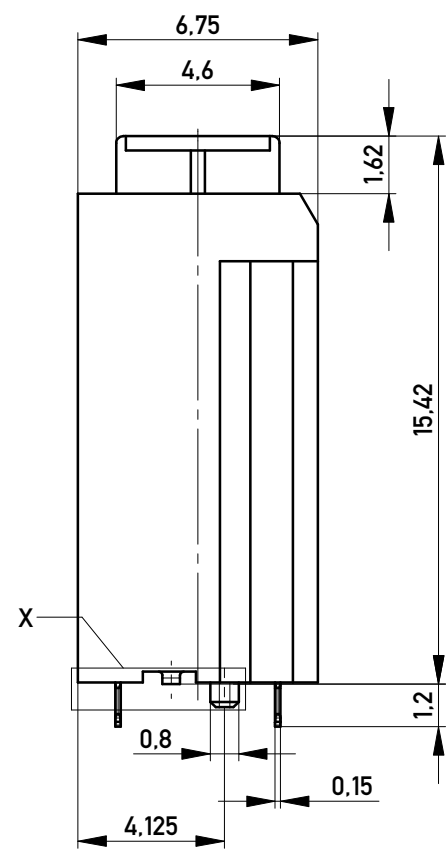


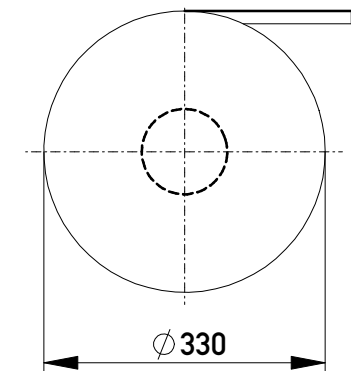
Leiterplatten-Layout Vorschlag / PCB-Layout proposal



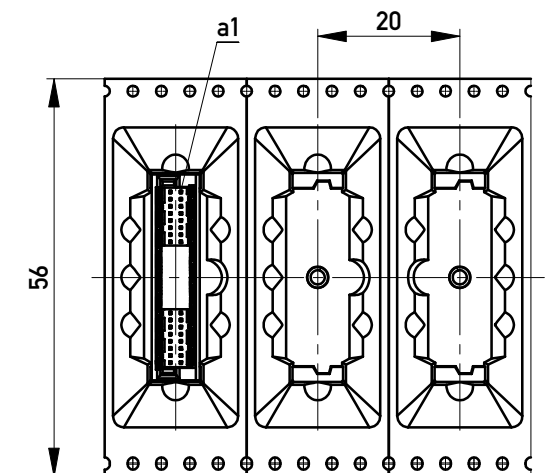
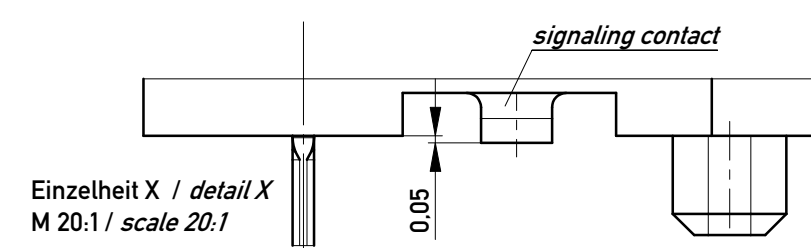
1) Durchmesser des Bohrers / drill tool



Verpackt im Gurt in Anlehnung an DIN IEC 60286-3
 tape on reel packaging according to DIN IEC 60286-3
 Verpackungseinheit: 170 Stück
 packaging unit: 170 pcs



Abspulrichtung - Reel off Direction



- Anforderungsstufe 1
Performance Level 1
- Kontaktbereich vergoldet
Mating Area gold plating
- Anschlussbereich verzinnt 4-6 µm
Terminal Area 4-6 µm tin plating
- Koplanarität der Anschlüsse ≤ 0.1 mm
Coplanarity Area of Termination ≤ 0.1 mm

Information: All rights reserved. Only for Information. To ensure that this is the latest version of this drawing, please contact one of the ERNI companies before using.	Tolerances All Dimensions in mm	Scale 5:1
	Subject to modification without prior notice. Drawing will not be updated.	Designation M10 MSpeed Blind Mate 50 THR
g Index	01.09.2017 Date	www.ERNI.com
Class MSPEED		354188 i A3

Copyright by ERNI GmbH
Proprietary notice pursuant to ISO 16016 to be observed.