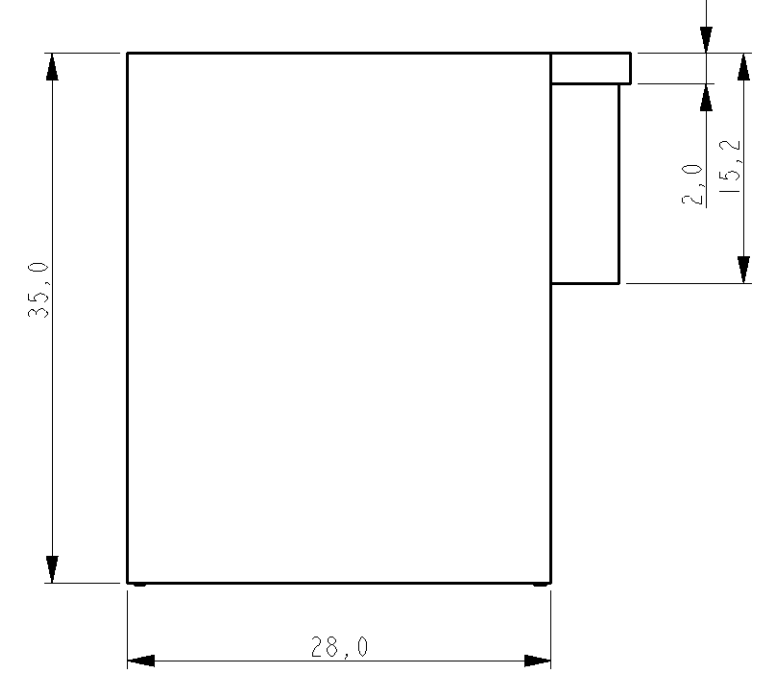
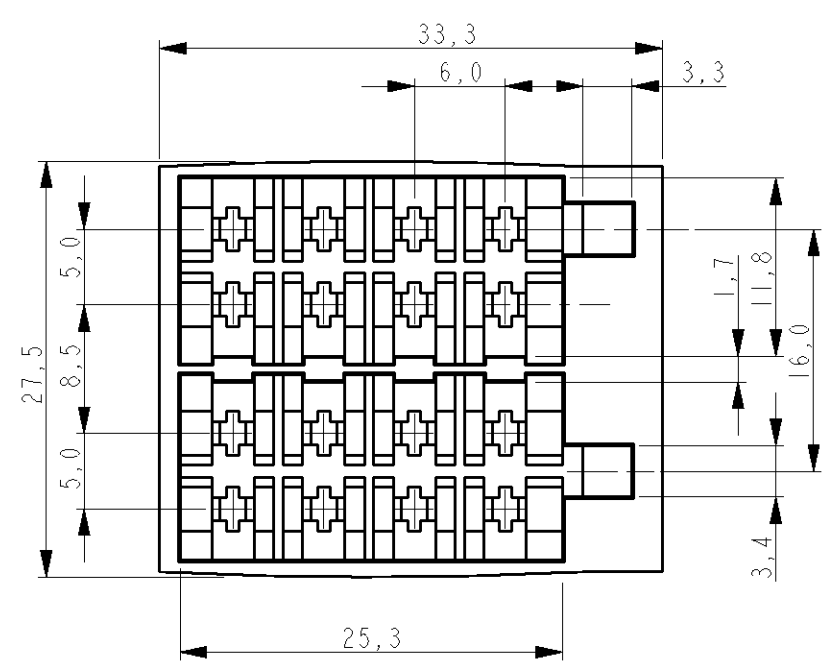
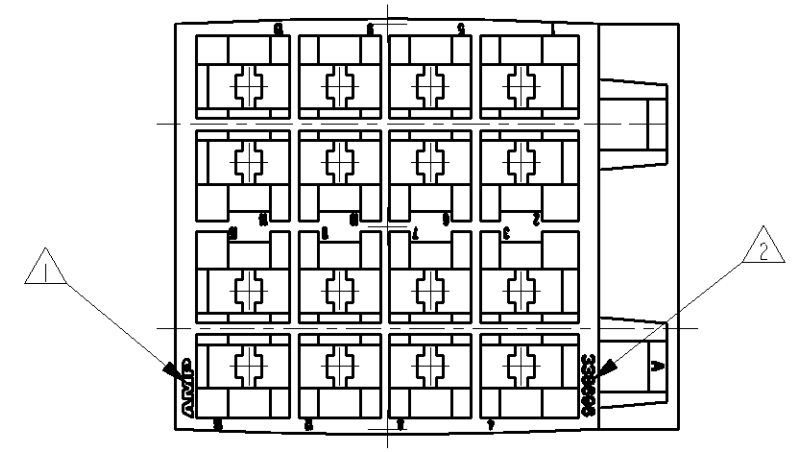
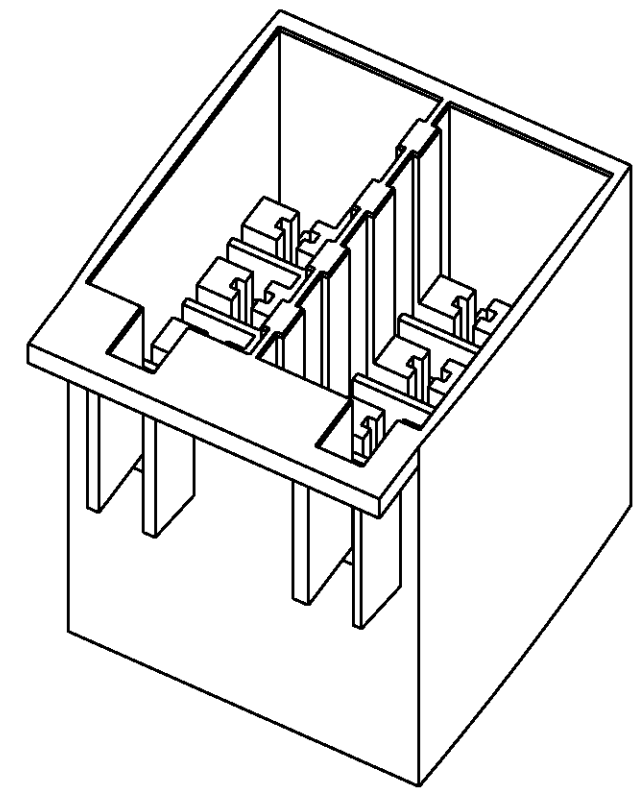
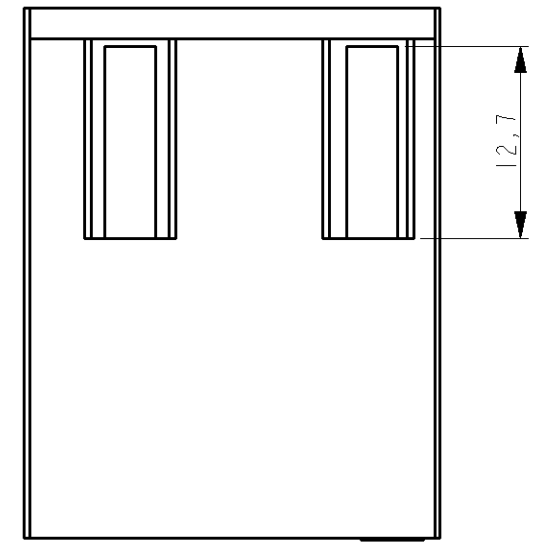


THIS DRAWING IS UNPUBLISHED. RELEASED FOR PUBLICATION
 © COPYRIGHT - BY TYCO ELECTRONICS CORPORATION. ALL RIGHTS RESERVED.

LOC	DIST	REVISIONS					
H	-	P	LTR	DESCRIPTION	DATE	DWN	APVD
			A	EH00-0386-00	31MAR2000	DH	EL
			B	ECR-09-021799	05OCT2009	DC	TdB



NOTES:
 1 AMP Trademark
 2 AMP Partnumber identification
 3 Applicable contacts:
 - p.n. 927892-1
 - p.n. 927893-1



THIS DRAWING IS A CONTROLLED DOCUMENT FOR TYCO ELECTRONICS CORPORATION
 IT IS SUBJECT TO CHANGE AND THE CONTROLLING ENGINEERING ORGANIZATION
 SHOULD BE CONTACTED FOR THE LATEST REVISION.

DIMENSIONS: mm		TOLERANCES UNLESS OTHERWISE SPECIFIED:	
		0 PLC	±0,2
		1 PLC	±0,1
		2 PLC	±0,05
		3 PLC	±0,025
		4 PLC	±0,01
		ANGLES	±0°30'
MATERIAL	FINISH		

1	2 x 8 POS ISO TAB HOUSING	PBT-GF30 BLACK	338696-1
ITEM NO.	DESCRIPTION	MATERIAL	PARTNUMBER
DWN	D. Halberstadt	Tyco Electronics Corporation 's-Hertogenbosch, Nederland	
CHK	-	NAME	
APVD	-	2x8 pos 2,8mm FASTIN-FASTON ISO TAB HOUSING	
PRODUCT SPEC	-	SIZE	RESTRICTED TO
APPLICATION SPEC	-	A3	-
WEIGHT	-	CAGE CODE	DRAWING NO
CUSTOMER DRAWING		00779	©=338696
SCALE 2:1		SHEET 1	OF 1
		REV	B