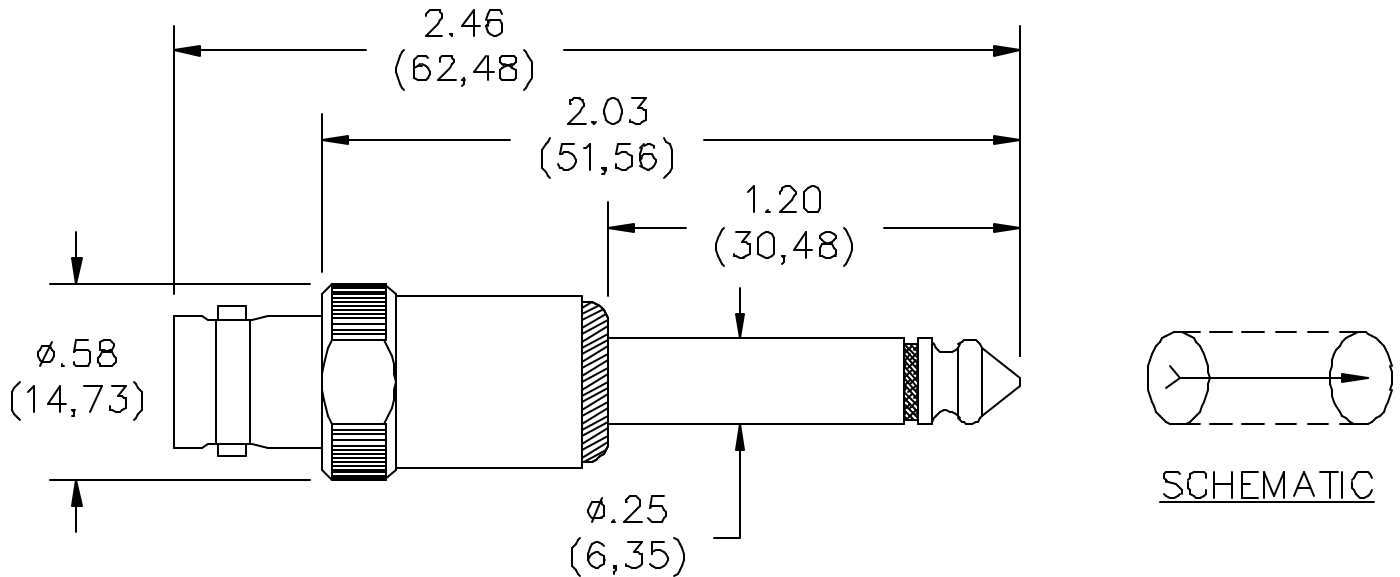


## Model 1297 BNC (Female) To Standard 1/4" Two Conductor Phone Plug



### FEATURES:

- Enables interconnection between telephone equipment and BNC based test instruments.
- Readily adapters standard phone jacks for BNC Cables.
- BNC (Female) contact is gold plated Beryllium Copper for noise free connection.
- Adapter is tarnish resistant for good lab appearance.

### MATERIALS:

BNC (Male): Body – Brass, Tarnish Resistant  
Center Contact: Beryllium Copper, Gold Plated  
Dielectric: PTFE  
Handle: Brass, Nickel Plated  
Phone Plug (Two Conductors): Brass, Nickel Plated

### RATINGS:

Operating Voltages: 500 VRMS  
Operating Temperature: +125°C (+257°F)  
Impedance: 50 Ohms

All dimensions are in inches. Tolerances (except noted): .xx =  $\pm .02$ " (.51 mm), .xxx =  $\pm .005$ " (.127 mm).  
All specifications are to the latest revisions. Specifications are subject to change without notice.  
Registered trademarks are the property of their respective companies. Made in USA

# Pomona®

**Model 1297**  
**BNC (Female) To Standard 1/4"**  
**Two Conductor Phone Plug**

**ORDERING INFORMATION:** Model 1297

All dimensions are in inches. Tolerances (except noted): .xx =  $\pm .02$ " (.51 mm), .xxx =  $\pm .005$ " (.127 mm).  
All specifications are to the latest revisions. Specifications are subject to change without notice.  
Registered trademarks are the property of their respective companies. Made in USA

6/9/99

SY/EH/LS

S:\Engineering\Release\DataSheets\FI\IkeDataSheet\d1297\_1\_01.doc

**Sales: 800-490-2361 Fax: 888-403-3360**

**Technical Assistance: 800-241-2060**

PomonaACCESS 90502 (800) 444-6785 or (425) 446-6010

More drawings available at [www.pomonaelectronics.com](http://www.pomonaelectronics.com)

Page 1 of 2