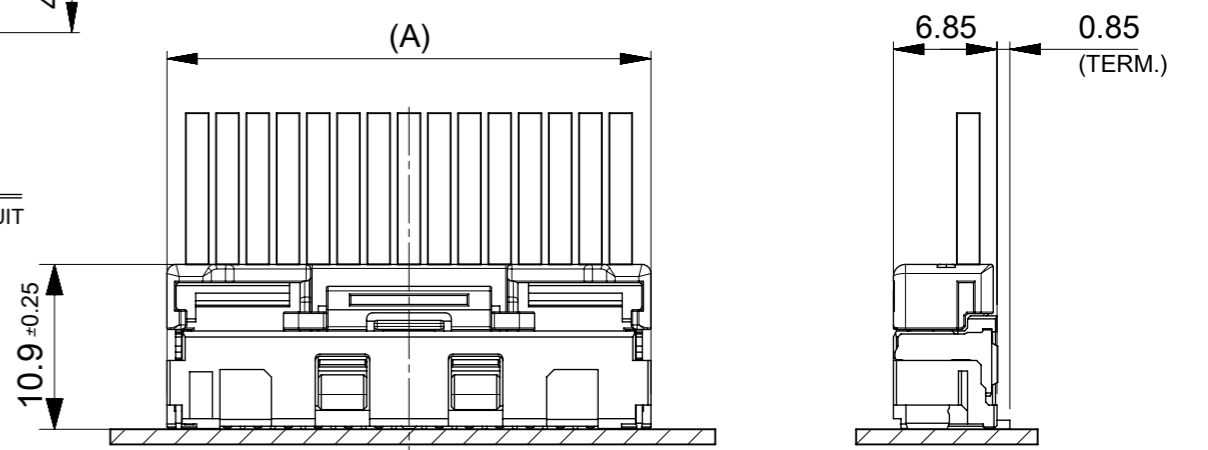
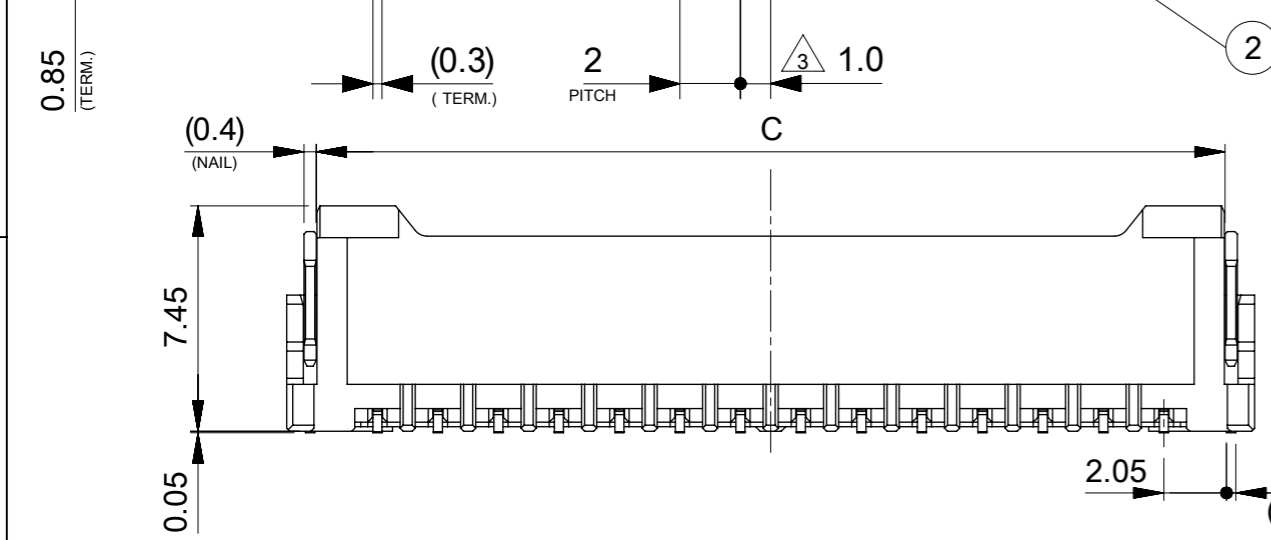
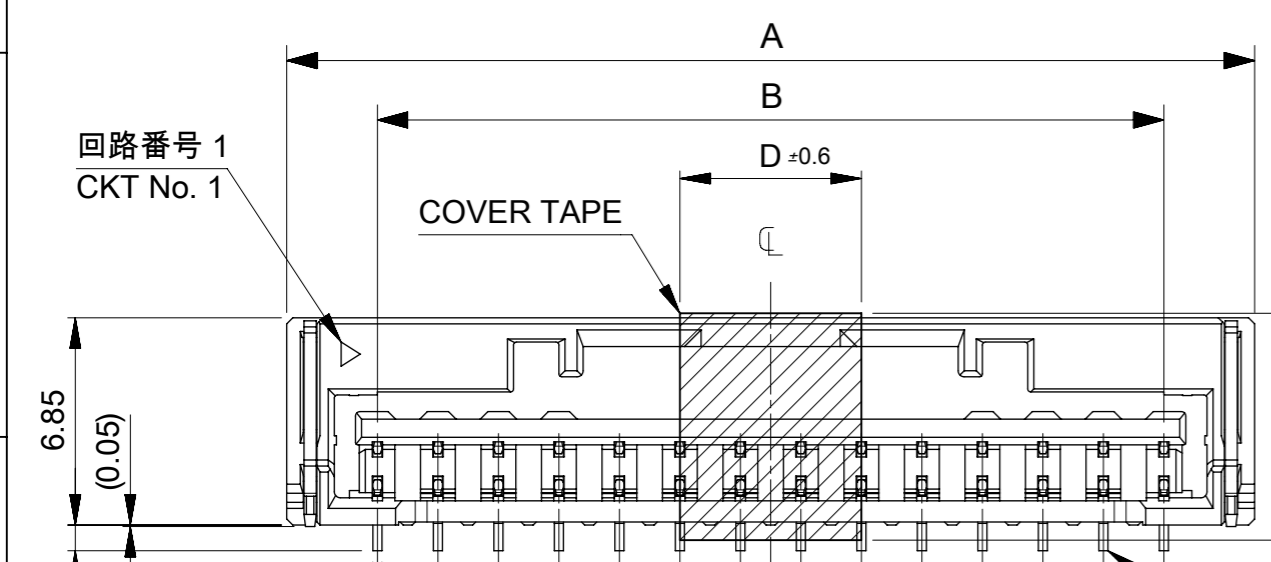


2~5極カバーテープ形状  
COVER TAPE FIGURE OF 2-5 CIRCUIT



嵌合図 MATED CONNECTOR  
(SCALE : 2-1)



NOTES

1. 嵌合相手 : 502439-\*\*00  
MATE WITH : 502439-\*\*00
2. 端子テール部 及び ネイルの平坦度: 0.1MAX  
TAIL AND NAIL COPLANARITY TO BE 0.1 MAX.
3. 極数/2 = 偶数に適用  
APPLY FOR CKT. SIZE /2 = EVEN.
4. 端子テール部 及び ネイルに錫めつきを使用しているため、  
外観に摺動痕が付く場合がございます。  
THE WOUND OF FRICTION MIGHT ADHERE TO EXTERNALS  
BECAUSE THE TIN PLATING IS USED FOR THE NAIL AND NAIL.
5. 本製品のプラスチック部に黒点等が確認される場合や  
色合いが異なる場合がありますが、製品性能に影響はありません。  
THERE IS NO INFLUENCE IN THE PRODUCT PERFORMANCE THOUGH  
THE BLACK SPOT ETC. MIGHT BE CONFIRMED TO THE PLASTIC PART  
OF THIS PRODUCT AND THE SHADE MIGHT BE DIFFERENT.
6. 梱包形状詳細については、5024431570PSD000を参照下さい。  
PLEASE REFER TO 5024431570PSD000 FOR THE DETAILED FORM OF THE PACKAGE.

6.0	32	28	34	502443-1560	15
6.0	30	26	32	502443-1460	14
6.0	28	24	30	502443-1360	13
6.0	26	22	28	502443-1260	12
					11
					10
6.0	20	16	22	502443-0960	9
6.0	18	14	20	502443-0860	8
6.0	16	12	18	502443-0760	7
6.0	14	10	16	502443-0660	6
12.8	12	8	14	502443-0560	5
10.8	10	6	12	502443-0460	4
8.8	8	4	10	502443-0360	3
6.8	6	2	8	502443-0260	2
D	C	B	A	EMBOSSED TAPE PACKAGE 注文番号 ORDER NO.	極数 CKT.NO.

番号 NO.	部品 PART	材質 MATERIAL
①	ハウジング HOUSING	ポリアミド UL94V-0 色 : ナチュラル POLYAMIDE UL94V-0 COLOR:NATURAL
②	ターミナル TERMINAL	銅合金 COPPER ALLOY
		錫めつき : 1.0 micro-meter MIN. MATTE TIN PLATING(TAIL AREA) ニッケルめつき(下地) : 1.0 micro-meter MIN. NICKEL (UNDER PLATING)
③	ネイル NAIL	銅合金 COPPER ALLOY
		錫めつき : 1.0 micro-meter MIN. MATTE TIN PLATING ニッケルめつき(下地) : 1.0 micro-meter MIN. NICKEL (UNDER PLATING)

RELEASE STATUS P1 RELEASE DATE 07.03.2017 11:17:21

THIS DRAWING CONTAINS INFORMATION THAT IS PROPRIETARY TO MOLEX ELECTRONIC TECHNOLOGIES, LLC AND SHOULD NOT BE USED WITHOUT WRITTEN PERMISSION

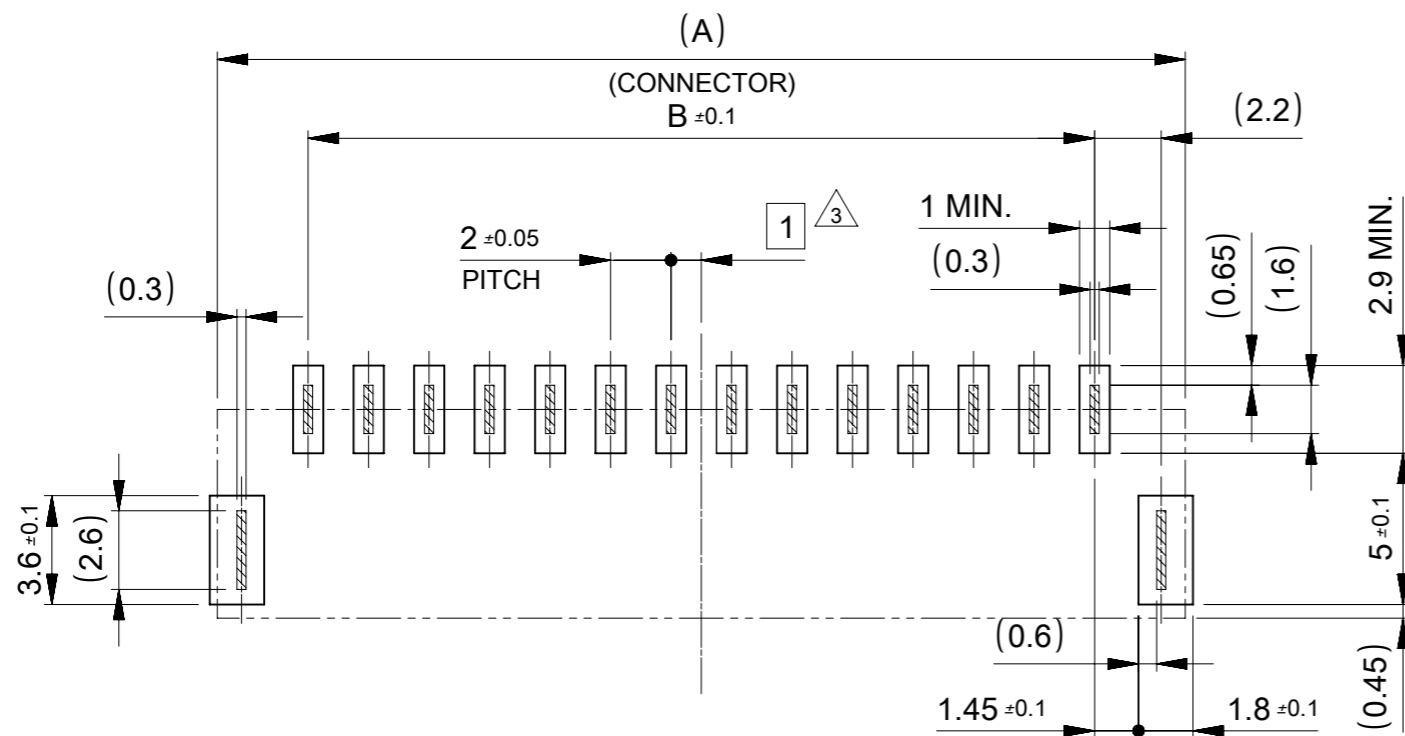
RELEASED 2016/09/20 2017/03/07	EC NO: 113635 DRWN: RWATANABE01 CHK'D: AIDA APPR: TKANEKO	GENERAL TOLERANCES (UNLESS SPECIFIED)		DIMENSION UNITS	SCALE
		ANGULAR TOL ± 3.0 °		MM	4:1
		4 PLACES ± 0.2	3 PLACES ± 0.2	DRWN BY	DATE
		2 PLACES ± 0.2	1 PLACE ± 0.2	RWATANABE01	2016/09/20
DRAFT WHERE APPLICABLE MUST REMAIN WITHIN DIMENSIONS		0 PLACES ± 0.2	CHK'D BY	DATE	
			AIDA	2017/03/07	
			APPR BY	DATE	
			TKANEKO	2017/03/07	
		DRAWING SIZE	THIRD ANGLE PROJECTION		
		A3			

**molex**<sup>®</sup>

CLIK-MATE 2.0  
SINGLE ROW ST TYPE REC. ASSY  
WITH COVER TAPE

PRODUCT CUSTOMER DRAWING

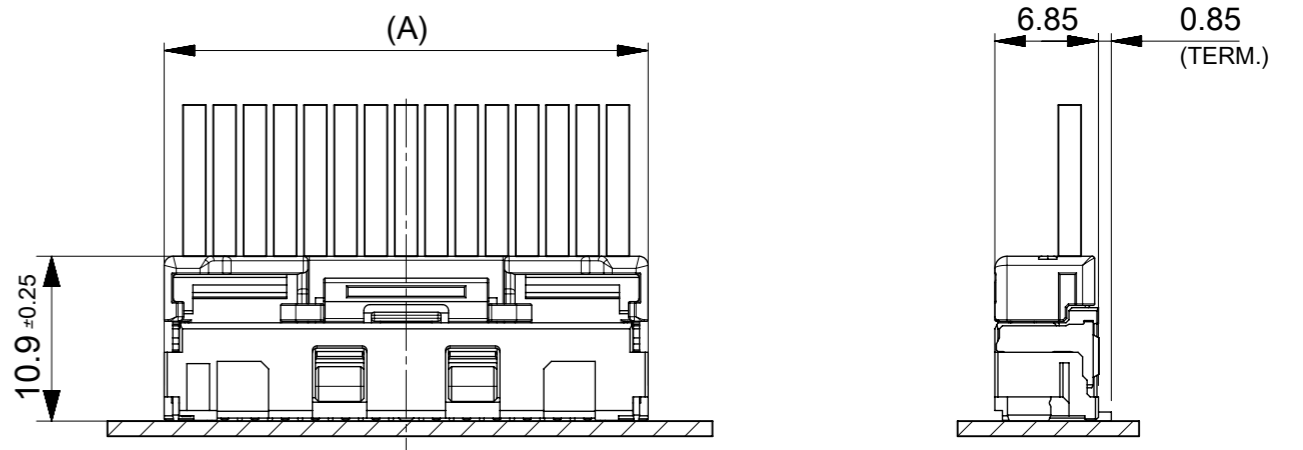
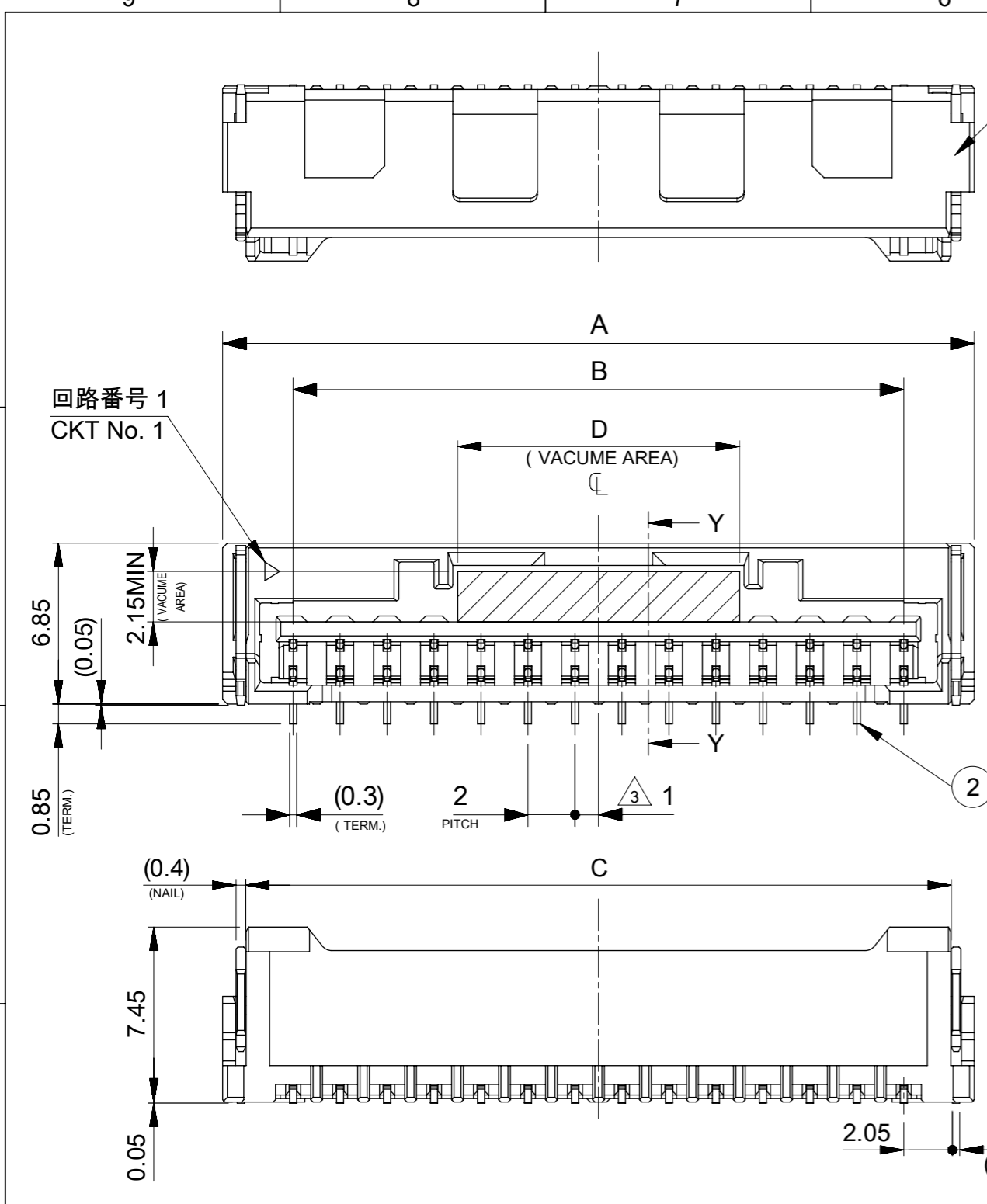
SERIES	MATERIAL NUMBER	CUSTOMER
502443	SEE TABLE	GENERAL
DOCUMENT NUMBER	DOC TYPE	DOC PART
5024431508	PSD	000
SHEET NUMBER		
1 OF 2		



基板パターンレイアウト(参考)  
RECCOMENDED P.C.B PATTERN LAYOUT (REF.)

THIS DRAWING CONTAINS INFORMATION THAT IS PROPRIETARY TO MOLEX ELECTRONIC TECHNOLOGIES, LLC AND SHOULD NOT BE USED WITHOUT WRITTEN PERMISSION

EC NO: 113635 DRWN: RWATANABE01 CHK'D: AIDA APPR: TKANEKO	2016/09/20 2017/03/07	GENERAL TOLERANCES (UNLESS SPECIFIED)		DIMENSION UNITS <b>MM</b>	SCALE <b>4:1</b>		
	4 PLACES ± 0.2 3 PLACES ± 0.2 2 PLACES ± 0.2 1 PLACE ± 0.2 0 PLACES ± 0.2	ANGULAR TOL ± 3.0 °		DRWN BY <b>RWATANABE01</b>	DATE <b>2016/09/20</b>		CLIK-MATE 2.0 SINGLE ROW ST TYPE REC. ASSY WITH COVER TAPE
	DRAFT WHERE APPLICABLE MUST REMAIN WITHIN DIMENSIONS		CHK'D BY <b>AIDA</b>	DATE <b>2017/03/07</b>			
	APPR BY <b>TKANEKO</b>		DATE <b>2017/03/07</b>	PRODUCT CUSTOMER DRAWING			
	<b>A</b>	REV	DRAWING SIZE <b>A3</b>	THIRD ANGLE PROJECTION			SERIES <b>502443</b>
RELEASE STATUS   P1   RELEASE DATE   07.03.2017   11:17:21		DOCUMENT NUMBER <b>5024431508</b>		DOC TYPE <b>PSD</b>	DOC PART <b>000</b>	SHEET NUMBER <b>2 OF 2</b>	



嵌合図 MATED CONNECTOR  
(SCALE : 2-1)

NOTES

1. 嵌合相手 : 502439-\*\*00  
MATE WITH : 502439-\*\*00
2. 端子テール部 及び ネイルの平坦度: 0.1MAX  
TAIL AND NAIL COPLANARITY TO BE 0.1 MAX.
- △ 3. 極数/2 = 偶数に適用  
APPLY FOR CKT. SIZE /2 = EVEN.
4. 端子テール部 及び ネイルに錫めっきを使用しているため、  
外観に摺動痕が付く場合がございます。  
BECAUSE THE TIN PLATING IS USED FOR THE NAIL AND NAIL.  
THE WOUND OF FRICTION MIGHT ADHERE TO EXTERNALS.
5. 本製品のプラスチック部に黒点等が確認される場合や  
色合いが異なる場合がありますが、製品性能に影響はありません。  
THERE IS NO INFLUENCE IN THE PRODUCT PERFORMANCE THOUGH  
THE BLACK SPOT ETC. MIGHT BE CONFIRMED TO THE PLASTIC PART  
OF THIS PRODUCT AND THE SHADE MIGHT BE DIFFERENT.
6. ELV 及び RoHS 適合品  
ELV AND RoHS COMPLIANT
7. 梱包形状詳細については、5024431570PSD000を参照下さい。  
PLEASE REFER TO 5024431570PSD000 FOR THE DETAILED FORM OF THE PACKAGE.

16	32	28	34	502443-1570	15
12	30	26	32	502443-1470	14
12	28	24	30	502443-1370	13
12	26	22	28	502443-1270	12
					11
					10
12	20	16	22	502443-0970	9
12	18	14	20	502443-0870	8
10	16	12	18	502443-0770	7
8	14	10	16	502443-0670	6
6	12	8	14	502443-0570	5
4	10	6	12	502443-0470	4
2.9	8	4	10	502443-0370	3
3.7	6	2	8	502443-0270	2
D	C	B	A	EMBOSSED TAPE PACKAGE 注文番号 ORDER NO.	極数 CKT.NO.

番号 NO.	部品 PART	材質 MATERIAL
①	ハウジング HOUSING	ポリアミド UL94V-0 色 : ナチュラル POLYAMIDE UL94V-0 COLOR:NATURAL
②	ターミナル TERMINAL	銅合金 COPPER ALLOY
		錫めっき : 1.0 micro-meter MIN. MATTE TIN PLATING(TAIL AREA) ニッケルめっき(下地) : 1.0 micro-meter MIN. NICKEL (UNDER PLATING)
③	ネイル NAIL	銅合金 COPPER ALLOY
		錫めっき : 1.0 micro-meter MIN. MATTE TIN PLATING ニッケルめっき(下地) : 1.0 micro-meter MIN. NICKEL (UNDER PLATING)

RELEASE STATUS P1 RELEASE DATE 31.07.2017 09:56:27

THIS DRAWING CONTAINS INFORMATION THAT IS PROPRIETARY TO MOLEX ELECTRONIC TECHNOLOGIES, LLC AND SHOULD NOT BE USED WITHOUT WRITTEN PERMISSION

REVISED EC NO: 120034 DRWN: AISHIKAWA CHK'D: AIDA REV APPR: TKANEKO	2017/07/28	2017/07/31	2017/07/31
	GENERAL TOLERANCES (UNLESS SPECIFIED)		
	ANGULAR TOL ± 3.0 °		
	4 PLACES	± 0.2	
3 PLACES ± 0.2			
2 PLACES ± 0.2			
1 PLACE ± 0.2			
0 PLACES ± 0.2			
DRAFT WHERE APPLICABLE MUST REMAIN WITHIN DIMENSIONS			

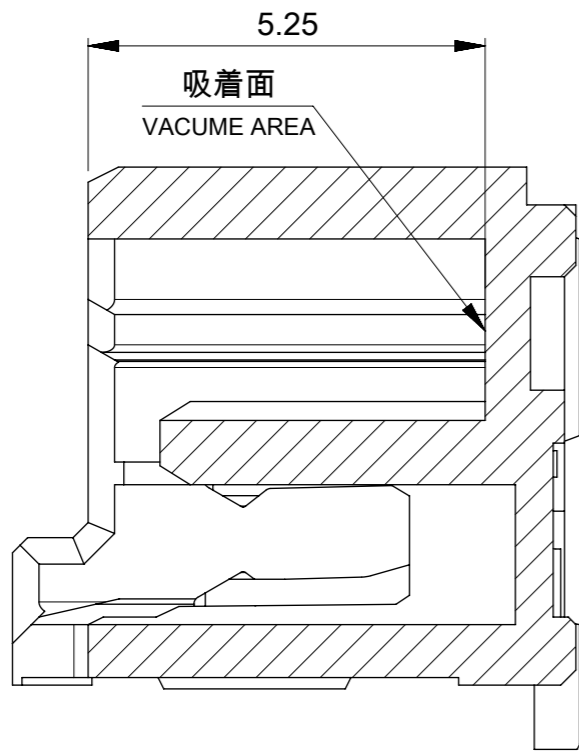
DIMENSION UNITS	SCALE
MM	4:1
DRWN BY	DATE
AISHIKAWA	2016/04/19
CHK'D BY	DATE
KOMURAKAMI	2016/04/28
APPR BY	DATE
TKANEKO	2016/04/28
DRAWING SIZE	THIRD ANGLE PROJECTION
A3	

**molex**

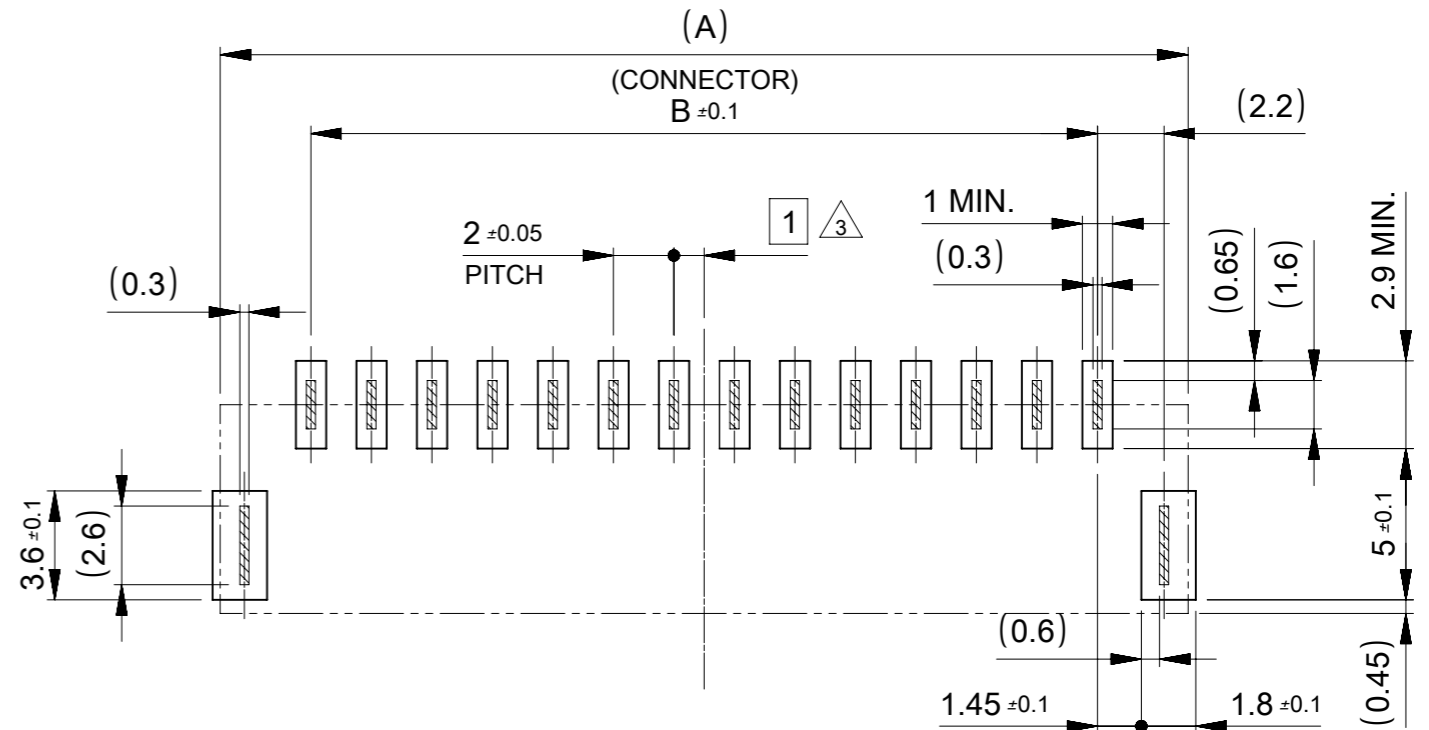
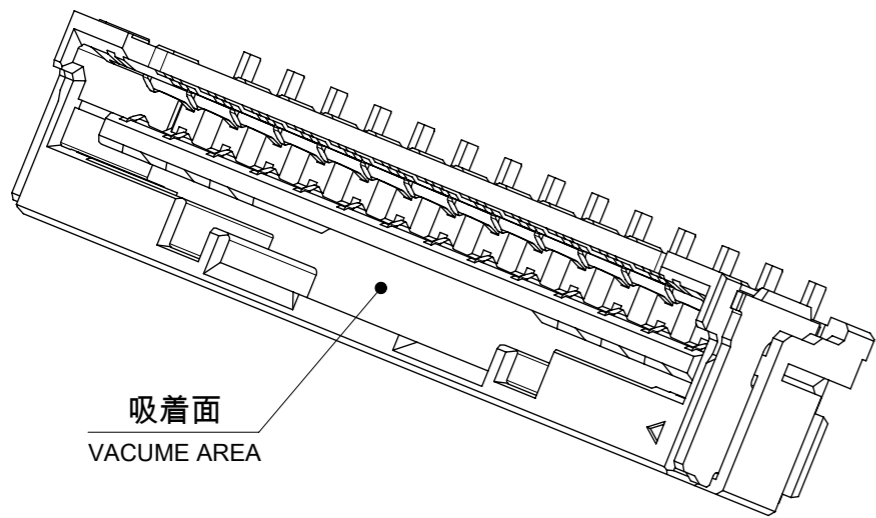
CLIK-MATE 2.0MM PITCH  
W/B CONN. ST TYPE REC. ASSY 2-15CKT

PRODUCT CUSTOMER DRAWING

SERIES	MATERIAL NUMBER	CUSTOMER
502443	SEE TABLE	GENERAL
DOCUMENT NUMBER	DOC TYPE	DOC PART
5024431509	PSD	000
SHEET NUMBER		1 OF 2



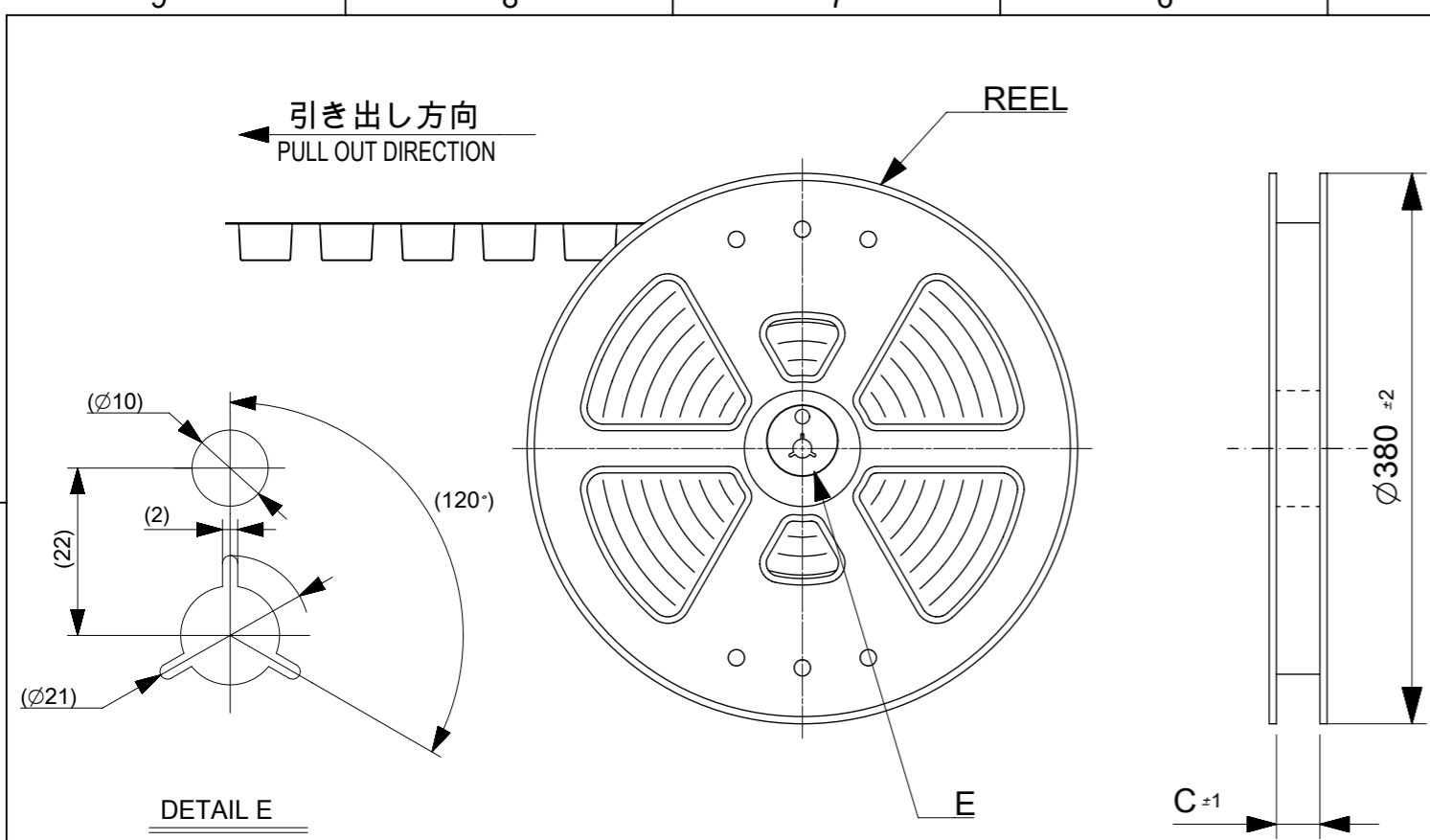
SECTION Y-Y  
(SCALE :10-1)



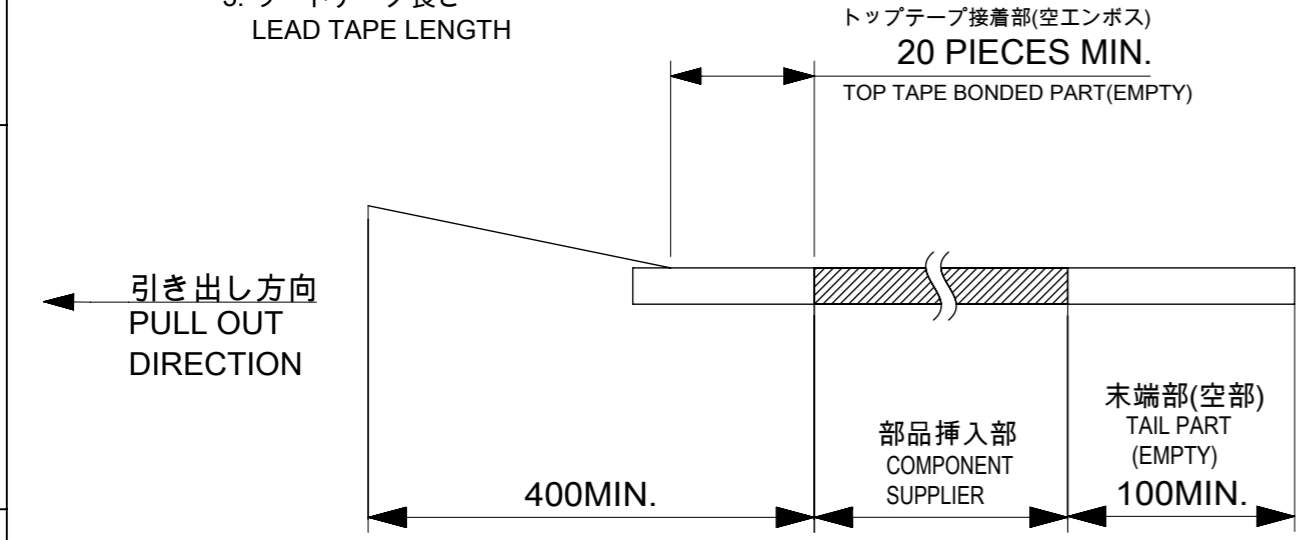
基板パターンレイアウト(参考)  
RECOMMENDED P.C.B PATTERN LAYOUT (REF.)

THIS DRAWING CONTAINS INFORMATION THAT IS PROPRIETARY TO MOLEX ELECTRONIC TECHNOLOGIES, LLC AND SHOULD NOT BE USED WITHOUT WRITTEN PERMISSION

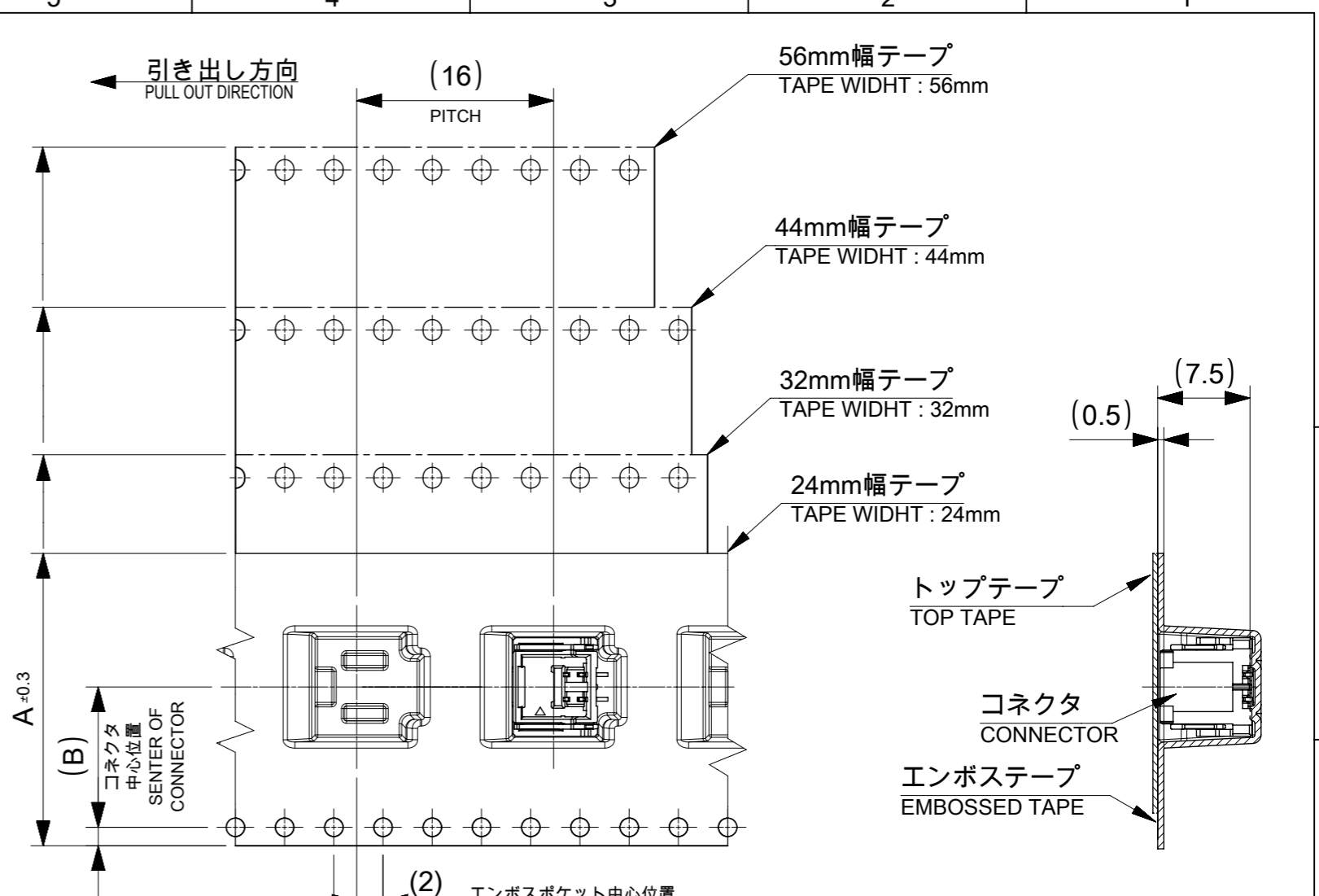
REVISED	2017/07/28	GENERAL TOLERANCES (UNLESS SPECIFIED)	DIMENSION UNITS	SCALE	<b>molex</b> <sup>®</sup>		
	2017/07/31		MM	4:1			
	2017/07/31		ANGULAR TOL ± 3.0 °	DRWN BY		DATE	CLIK-MATE 2.0MM PITCH W/B CONN. ST TYPE REC. ASSY 2-15CKT
			4 PLACES ± 0.2	AISHIKAWA		2016/04/19	
			3 PLACES ± 0.2	CHK'D BY		DATE	
	2 PLACES ± 0.2	KOMURAKAMI	2016/04/28	PRODUCT CUSTOMER DRAWING			
	1 PLACE ± 0.2	APPR BY	DATE				
	0 PLACES ± 0.2	TKANEKO	2016/04/28	SERIES	MATERIAL NUMBER	CUSTOMER	
	DRAFT WHERE APPLICABLE MUST REMAIN WITHIN DIMENSIONS	DRAWING SIZE	THIRD ANGLE PROJECTION	502443	SEE TABLE	GENERAL	
		A3		DOCUMENT NUMBER	DOC TYPE	DOC PART	SHEET NUMBER
				5024431509	PSD	000	2 OF 2



- NOTE**
- 製品詳細寸法については、5024431509PSD000及び5024431508PSD000を参照下さい。  
PLEASE REFER TO 5024431509PSD000 OR 5024431508PSD000 FOR THE DETAILED DIMENSION OF THE CONNECTOR.
  - 梱包数量：650個 / リール。  
NUMBER OF CONNECTORS : 650 PIECES/REEL
  - リードテープ長さ  
LEAD TAPE LENGTH



- 4. 材料**
- MATERIAL**
- キャリアテープ：ポリスチレン  
CARRIER TAPE : POLYSTYRENE
- トップテープ：ポリエステル、ポリエチレン、ポリエチレンテレフタレート  
TOP TAPE : POLYESTER, POLYETHELENE, POLYETHYLENE TEREPHTHALATE
- リール：ポリスチレン <リサイクル材を含む>  
REEL : POLYSTYRENE <RECYCLE MATERIAL CONTAINED>



57.5	26.2	56	502443-15**	15
57.5	26.2	56	502443-14**	14
45.5	20.2	44	502443-13**	13
45.5	20.2	44	502443-12**	12
				11
				10
45.5	20.2	44	502443-09**	9
45.5	20.2	44	502443-08**	8
33.5	14.2	32	502443-07**	7
33.5	14.2	32	502443-06**	6
25.5	11.5	24	502443-05**	5
25.5	11.5	24	502443-04**	4
25.5	11.5	24	502443-03**	3
25.5	11.5	24	502443-02**	2
C	B	エンボステープ幅A WIDTH OF TAPE	製品番号 MATERIAL NO.	極数 CKT. NO.

THIS DRAWING CONTAINS INFORMATION THAT IS PROPRIETARY TO MOLEX ELECTRONIC TECHNOLOGIES, LLC AND SHOULD NOT BE USED WITHOUT WRITTEN PERMISSION

<b>QUALITY SYMBOLS</b> ▽A = 0 ▽E = 0 ▽F = 0 ▼ = 0 ▽C = 0 ⊠ = 0 ■ = 0 ▽ = 0	<b>REVISED</b> EC NO: 113635 DRWN: AISHIKAWA CHK'D: AIDA APPR: TKANEKO	2017/02/16 2017/03/07 2017/03/07	<b>GENERAL TOLERANCES (UNLESS SPECIFIED)</b> ANGULAR TOL ± 3.0 ° 4 PLACES ± 0.2 3 PLACES ± 0.2 2 PLACES ± 0.2 1 PLACE ± 0.2 0 PLACES ± 0.2	DIMENSION UNITS <b>MM</b>	SCALE <b>NTS</b>		
		DRWN BY <b>AISHIKAWA</b>	DATE <b>2016/04/19</b>	CHK'D BY <b>KOMURAKAMI</b>	DATE <b>2016/04/28</b>		<b>CLIK-MATE 2.0</b> <b>SINGLE ROW ST TYPE EMBOSSSED TAPE PACKAGE</b>
		APPR BY <b>TKANEKO</b>	DATE <b>2016/04/28</b>	<b>PRODUCT CUSTOMER DRAWING</b>			
		DRAFT WHERE APPLICABLE MUST REMAIN WITHIN DIMENSIONS	DRAWING SIZE <b>A3</b>	THIRD ANGLE PROJECTION	SERIES <b>502443</b>		MATERIAL NUMBER <b>SEE TABLE</b>
DOCUMENT NUMBER <b>5024431570</b>		DOC TYPE <b>PSD</b>	DOC PART <b>000</b>	SHEET NUMBER <b>1 OF 2</b>			

9 8 7 6 5 4 3 2 1

E

WITH COVER TAPE		
HSG COLOR : NATURAL		
502443-**60	502443-1560	15
	502443-1460	14
	502443-1360	13
	502443-1260	12
		11
		10
	502443-0960	9
	502443-0860	8
	502443-0760	7
	502443-0660	6
	502443-0560	5
	502443-0460	4
	502443-0360	3
502443-0260	2	
コネクタシリーズ CONNECTOR SERIES	製品番号 MATERIAL NO.	極数 CKT. NO.

D

C

WITHOUT COVER TAPE		
HSG COLOR : NATURAL		
502443-**70	502443-1570	15
	502443-1470	14
	502443-1370	13
	502443-1270	12
		11
		10
	502443-0970	9
	502443-0870	8
	502443-0770	7
	502443-0670	6
	502443-0570	5
	502443-0470	4
	502443-0370	3
502443-0270	2	
コネクタシリーズ CONNECTOR SERIES	製品番号 MATERIAL NO.	極数 CKT. NO.

B

A

<b>QUALITY SYMBOLS</b> 	THIS DRAWING CONTAINS INFORMATION THAT IS PROPRIETARY TO MOLEX ELECTRONIC TECHNOLOGIES, LLC AND SHOULD NOT BE USED WITHOUT WRITTEN PERMISSION										
	REVISED EC NO: 113635 DRWN: AISHIKAWA CHK'D: AIDA REV APPR: TKANEKO	2017/02/16 2017/03/07 2017/03/07		<b>GENERAL TOLERANCES (UNLESS SPECIFIED)</b> ANGULAR TOL ± 3.0 °		DIMENSION UNITS <b>MM</b>	SCALE <b>NTS</b>				
		4 PLACES ± 0.2	3 PLACES ± 0.2	DRWN BY <b>AISHIKAWA</b>		DATE 2016/04/19					
		2 PLACES ± 0.2	1 PLACE ± 0.2	CHK'D BY <b>KOMURAKAMI</b>		DATE 2016/04/28					
		0 PLACES ± 0.2	DRAFT WHERE APPLICABLE MUST REMAIN WITHIN DIMENSIONS		APPR BY <b>TKANEKO</b>		DATE 2016/04/28	PRODUCT CUSTOMER DRAWING			
		DRAWING SIZE <b>A3</b>		THIRD ANGLE PROJECTION 		SERIES 502443		MATERIAL NUMBER SEE TABLE		CUSTOMER GENERAL	
	B				DOCUMENT NUMBER 5024431570		DOC TYPE PSD	DOC PART 000	SHEET NUMBER 2 OF 2		

RELEASE STATUS	P1	RELEASE DATE	07.03.2017	11:17:22
----------------	----	--------------	------------	----------

9 8 7 6 5 4 3 2 1

FORMAT: master-b-prod-A3  
REVISION: 0  
DATE: 2015/12/14