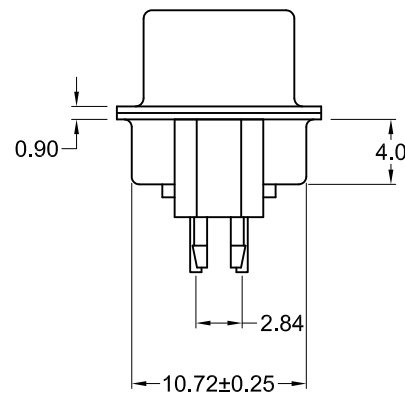
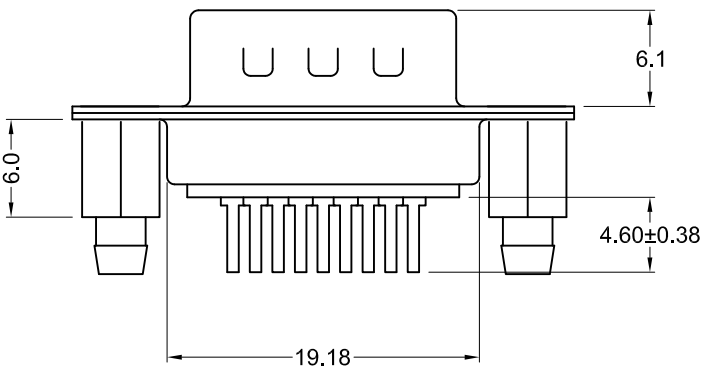
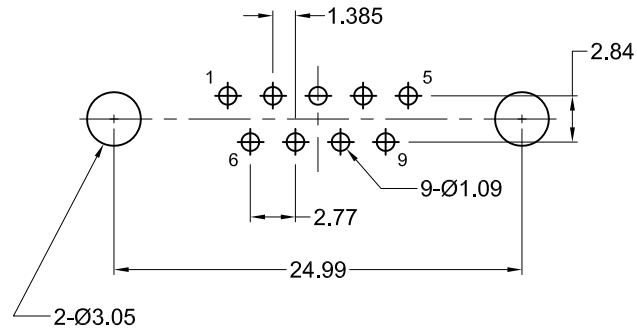


**Recommended PCB Layout
(top view)**



Material and Finish

Shell: steel, Nickel plated
 Insulator: PBT with glass-fiber reinforcement, UL 94V-0 rated, color-black

Contact Material:
 Plug - Brass

Contact Plating:

Standard:
 Gold flash on mating end, tin on termination end, with entire contact nickel underplated

-15 Option:
 15u" gold on mating end, tin on termination end, with entire contact nickel underplated

-30 Option:
 30u" gold on mating end, tin on termination end, with entire contact nickel underplated

Electrical Specifications

- Rated Current: 2A
- Rated Voltage: 30V RMS
- Withstanding Voltage: 500V (rms) AC for 1 minute
- Insulation Resistance: more than 1000 Megohm at 500V DC
- Contact Resistance: 13 milliohm max.
- Dielectric Strength: 1000V for 1 minute
- Operating Temperature: -55°C to +105°C

Ordering Information

| Part Number | Contact Area Plating Finish |
|-----------------|-----------------------------|
| K85X-ED-9P-BR | Gold Flash (standard) |
| K85X-ED-9P-BR15 | 15u" Gold (15 option) |
| K85X-ED-9P-BR30 | 30u" Gold (30 option) |



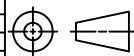
| Tolerances |
|-------------------------|
| X.X ± 0.25 |
| X.XX ± 0.15 |
| Unless Stated Otherwise |

| REV. | DATE | DESCRIPTION | REV. BY | CHK. BY | DRAWN BY | DATE |
|------|----------|-------------|------------|-------------|------------|----------|
| A1 | 11/14/05 | New Drawing | R. Aguirre | H. MA | R. Aguirre | 10/13/05 |
| A2 | 1/9/08 | ECO #07-052 | WILL H. | H. MA | | |
| A3 | 12/31/17 | ECO #17-030 | G. Serrato | C. Furumasu | | |
| | | | | | | |
| | | | | | | |

K85X-ED-9P-BR

Vertical PCB Mount D-Sub ,RoHS Compliant

9 Pin Male, Boardlocks



UNITS
mm