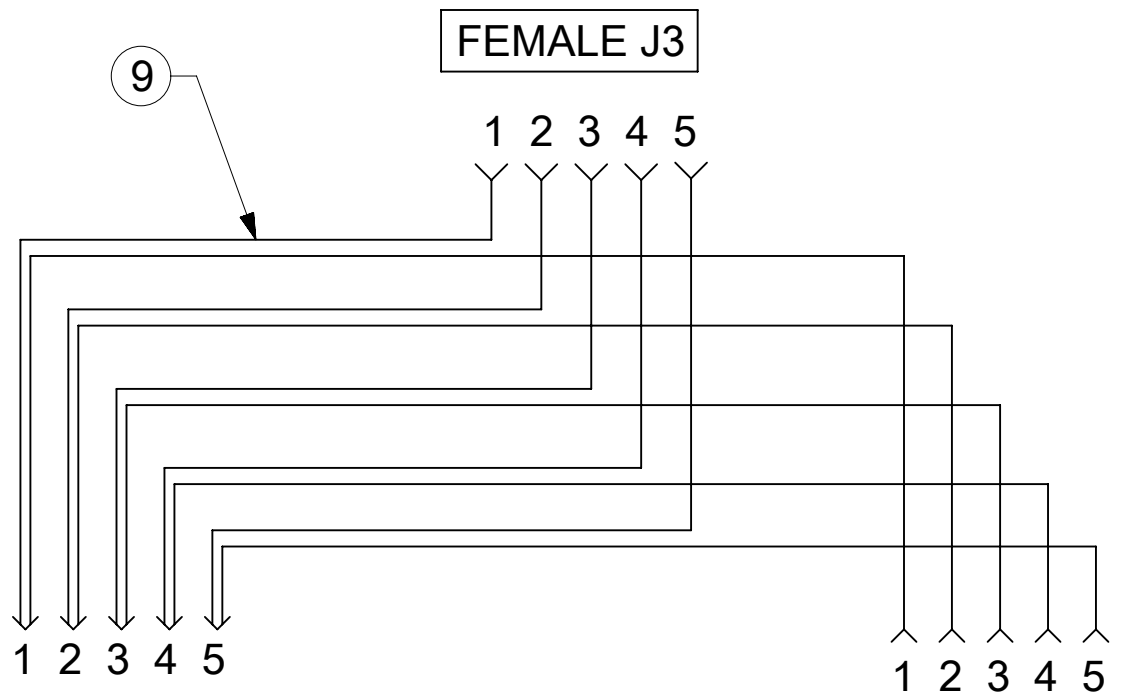
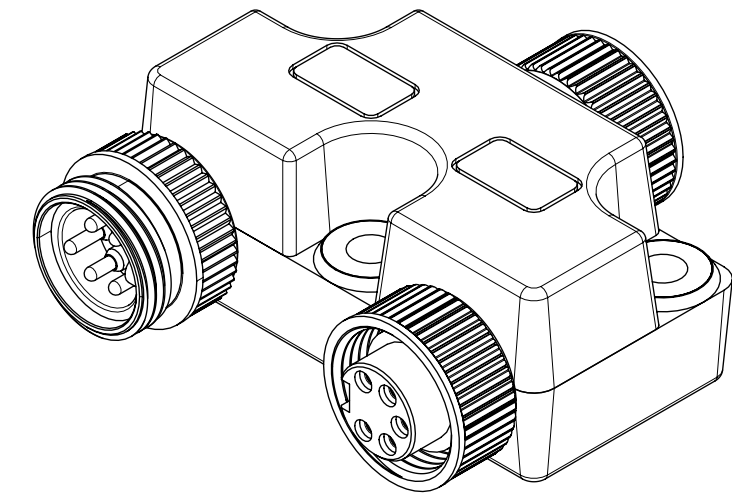
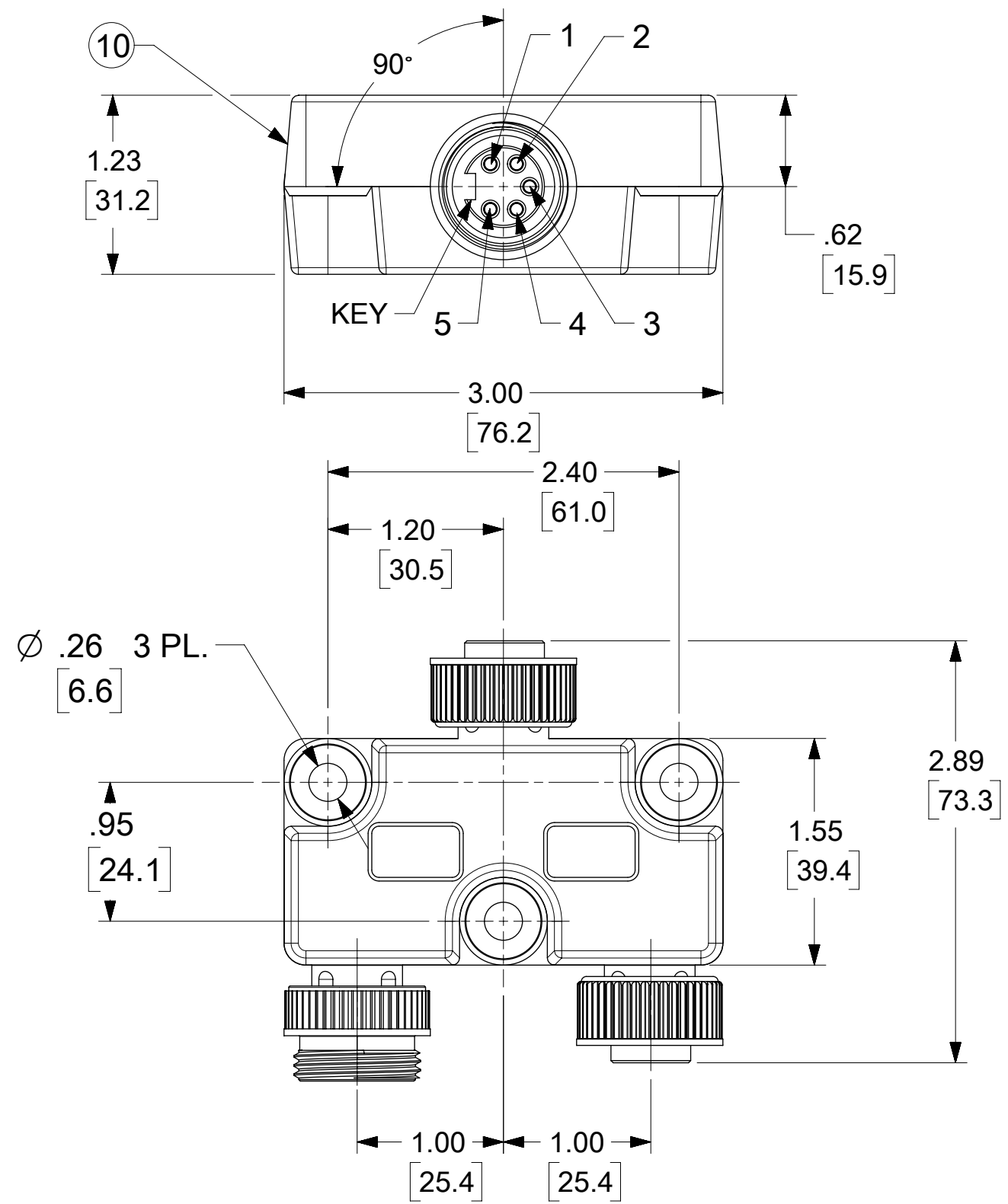


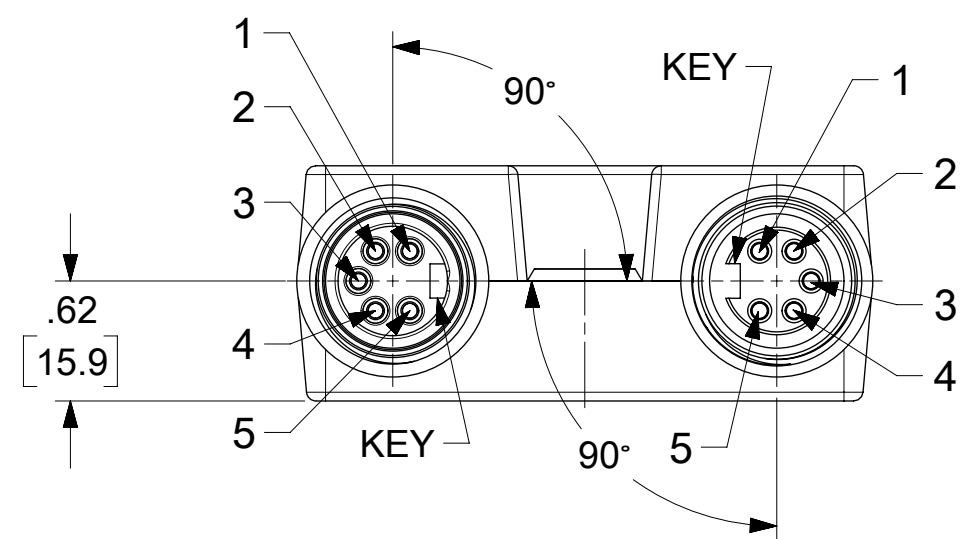
FEMALE J3



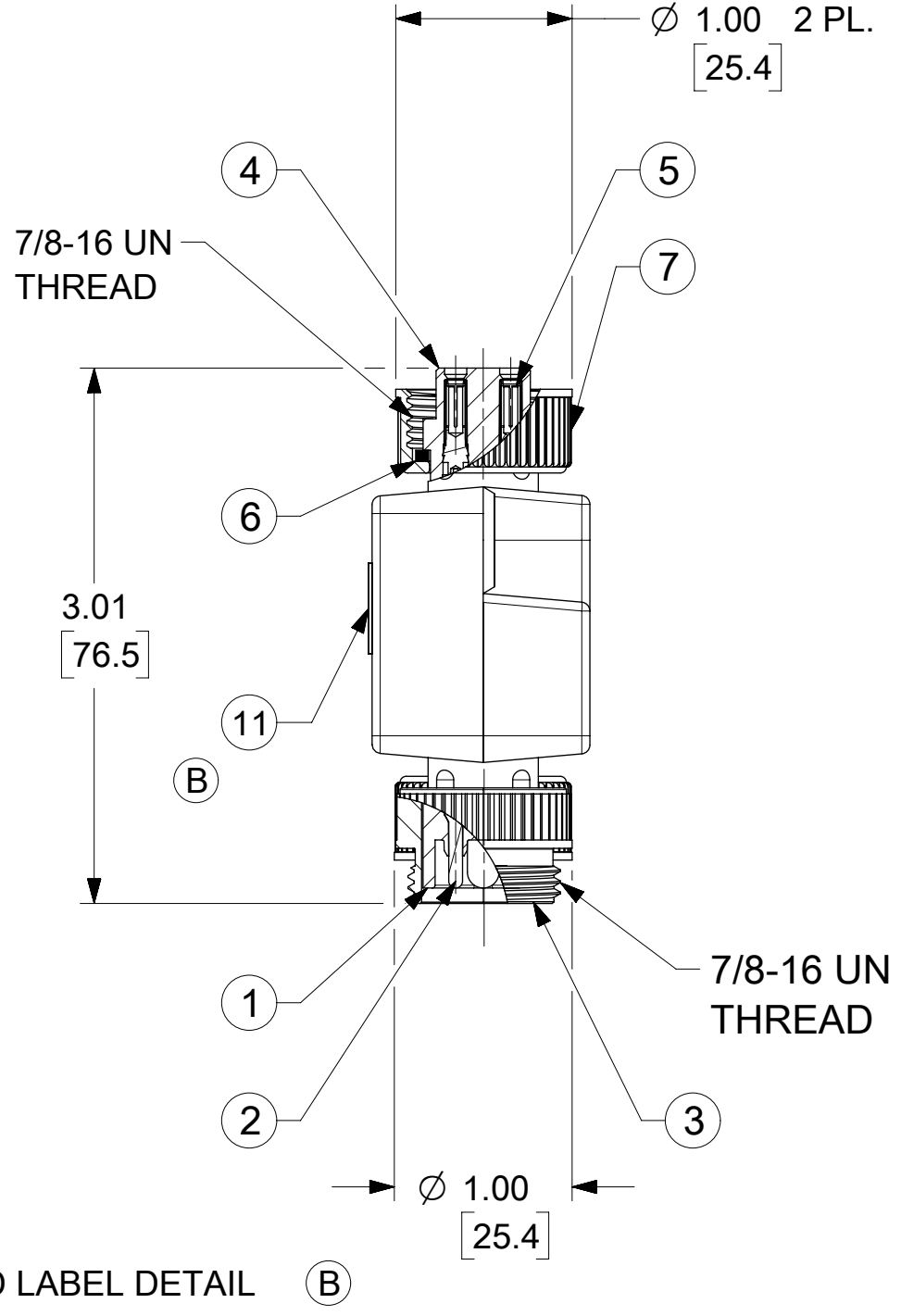
WIRING SCHEMATIC

MALE J1

FEMALE J2



- NOTES:
1. MATERIAL: AS NOTED
 2. FINISH: AS NOTED
 3. ELECTRICAL:
VOLTAGE; 600VDC
CURRENT: 8A
 4. TEMP RATING: -20°TO +80°C
 5. PROTECTION: IP67 (WHEN MATED)
 6. COUPLING THREAD: AS NOTED
 7. UL RECOGNIZED FILE: E152210
 8. ALL DIMS ARE FOR REFERENCE UNLESS TOLERANCED OR NOTED OTHERWISE



ENG. P/N
VOLTS/AMPS
YY/MM/DD

ITEM	DESCRIPTION	MATERIAL	FINISH
11	ID LABEL	POLYPROPYLENE	CLEAR
10	OVERMOLD	TPE	GRAY
9	WIRE, 18AWG, UL1015	PVC INSULATION	
8	SLEEVE	NYLON	WHITE
7	FEMALE COUPLING	ZINC DIE-CAST	BLACK E-COAT
6	FRICTION RING	NYLON	WHITE
5	CONTACT SOCKET	Cu ALLOY	GOLD PLATED
4	FEMALE INSERT	TPE	BLACK
3	MALE COUPLING	ZINC DIE-CAST	BLACK E-COAT
2	CONTACT PIN	Cu ALLOY	GOLD PLATED
1	MALE INSERT	TPE	BLACK

PART NO.	ENG. NO.
1300350071	DN3200

FUNCTIONAL SYMBOLS		THIS DRAWING CONTAINS INFORMATION THAT IS PROPRIETARY TO MOLEX ELECTRONIC TECHNOLOGIES, LLC AND SHOULD NOT BE USED WITHOUT WRITTEN PERMISSION		CURRENT REV DESC: ADD ID LABEL PER MFG REQUEST	
FA=	0	DIMENSION UNITS	SCALE		
FE=	0	INCH	1:1		
FD=	0	GENERAL TOLERANCES (UNLESS SPECIFIED)			
DIVISIONAL SYMBOLS		MM	INCH		
		4 PLACES ±	±		
		3 PLACES ±	±		
		2 PLACES ±	±		
		1 PLACE ±	±		
		0 PLACES ±	±		
		ANGULAR TOL	± °		
		DRAFT WHERE APPLICABLE MUST REMAIN WITHIN DIMENSIONS			
		THIRD ANGLE PROJECTION	DRAWING	SERIES	
			C-SIZE	130035	
		EC NO: 709543		2022/06/07	
		DRWN: RSTONE		2022/06/22	
		CHK'D: ALEON01		2022/06/27	
		APPR: BWOODMAN		2022/08/26	
		INITIAL REVISION:			
		DRWN: BW		2009/08/24	
		APPR: JM		2009/08/26	
		DOCUMENT NUMBER		DOC TYPE	DOC PART
		1300350071		PSD	000
		MATERIAL NUMBER		CUSTOMER	SHEET NUMBER
		SEE P/N CHART		GENERAL MARKET	1 OF 1

molex

MINI-CHANGE 5 POLE PASSIVE Y BLOCK

PRODUCT CUSTOMER DRAWING