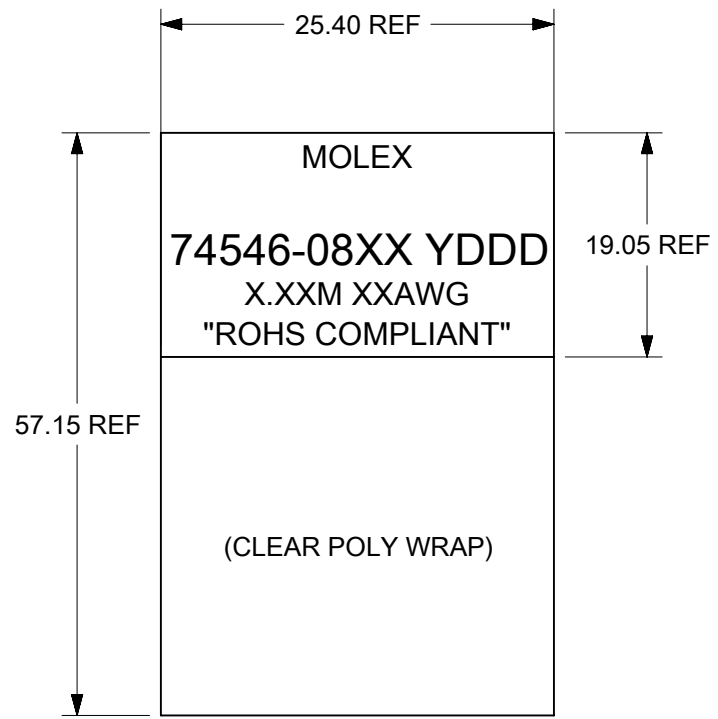


**LABEL DETAILS**



| P/N        | LENGTH       | GAGE | TOLERANCE | JACKET RATING |
|------------|--------------|------|-----------|---------------|
| 74546-0801 | 1M           | 28   | 0.05M     | VW1           |
| 74546-0802 | 2M           | 28   | 0.05M     | VW1           |
| 74546-0803 | 3M           | 28   | 0.05M     | VW1           |
| 74546-0804 | 4M           | 28   | 0.10M     | VW1           |
| 74546-0805 | 5M           | 26   | 0.10M     | CL2           |
| 74546-0806 | 6M           | 26   | 0.13M     | CL2           |
| 74546-0807 | 7M           | 24   | 0.13M     | CL2           |
| 74546-0808 | 8M $\Delta$  | 24   | 0.13M     | CL2           |
| 74546-0809 | 9M $\Delta$  | 24   | 0.15M     | CL2           |
| 74546-0810 | 10M $\Delta$ | 24   | 0.15M     | CL2           |
| 74546-0813 | 0.5M         | 28   | 0.03M     | VW1           |

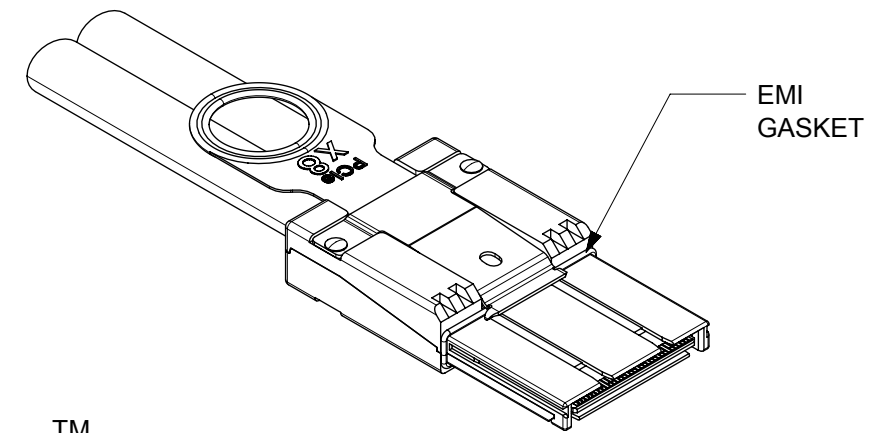
- NOTES:**
- MATERIAL= BACKSHELLS - ZINC DIECAST  
PULL - NYLON  
CABLE JACKET RATING - SEE TABLE.
  - LENGTH AND TOLERANCE - SEE TABLE
  - ELECTRICAL PERFORMANCE PER PCI EXPRESS EXTERNAL CABLING SPEC.
  - PLUG MATES TO RECEPTACLE 75586-0002, AND EMI GUIDE HOUSING ASSY. 74540-0100
  - ASSEMBLY IS TO BE RoHS COMPLIANT BY FEBRUARY 1, 2006.
- $\Delta$ . NOT COMPLIANT WITH INSERTION LOSS SPEC PER THR PCIe CABLING SPEC.

P/N: 74546-08XX - MOLEX PART NUMBER (SEE P/N TABLE)

X.XXM = CABLE LENGTH IN METERS (EX-0.5M, 1.0M, 1.5M)  
SEE P/N TABLE FOR THE NUMBER OF DIGITS

XXAWG = CABLE SIZE IN AWG

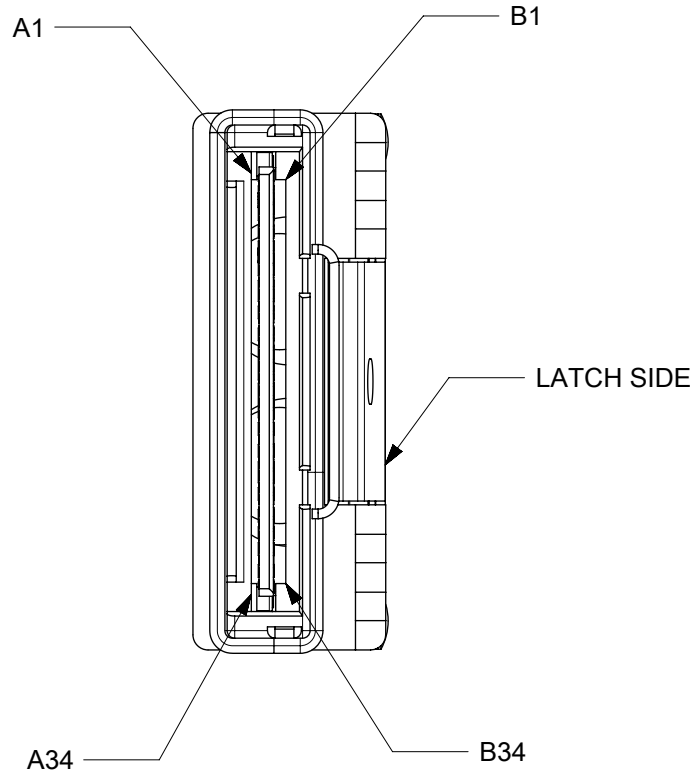
S/N: YDDD - SERIAL NUMBER  
Y = YEAR, THE LAST DIGIT OF YEAR  
DDD = DAY OF THE YEAR



TM  
IPASS IS A TRADEMARK OF MOLEX

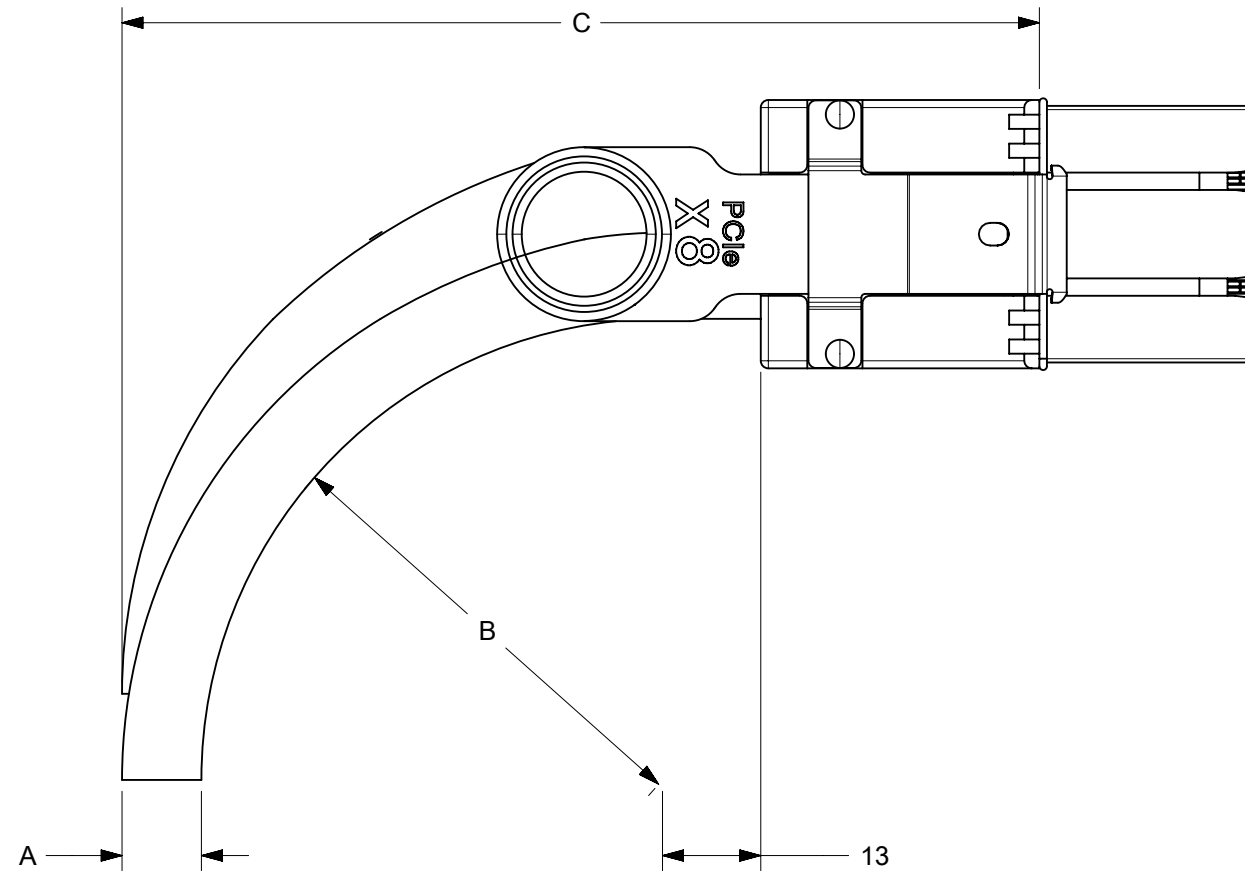
|                    |   |                                       |                                  |                    |         |                                |                 |  |                                   |
|--------------------|---|---------------------------------------|----------------------------------|--------------------|---------|--------------------------------|-----------------|--|-----------------------------------|
| FUNCTIONAL SYMBOLS | THIS DRAWING CONTAINS INFORMATION THAT IS PROPRIETARY TO MOLEX ELECTRONIC TECHNOLOGIES, LLC AND SHOULD NOT BE USED WITHOUT WRITTEN PERMISSION |                                       | CURRENT REV DESC: MIGRATED TO NX |                    |         | <b>molex</b>                   |                 |  |                                   |
|                    | DIMENSION UNITS   | SCALE                                 |                                  |                    |         |                                |                 |  | I-PASS<br>X8 CABLE ASSEMBLY GEN 1 |
|                    | $\nabla = 0$  | mm                                    | 1:1                              | EC NO: 697045      |         |                                | DOCUMENT NUMBER |  |                                   |
|                    | $\nabla = 0$  | GENERAL TOLERANCES (UNLESS SPECIFIED) |                                  | DRWN: SKRISHNAMURT |         |                                | PSD 001 L1      |  |                                   |
| $\nabla = 0$       | ANGULAR TOL $\pm 0.5^\circ$   |                                       | 2022/01/14                       |                    |         | PRODUCT CUSTOMER DRAWING       |                 |  |                                   |
| DIVISIONAL SYMBOLS | 4 PLACES  | $\pm$                                 | 2022/02/24                       |                    |         | DOC TYPE   DOC PART   REVISION |                 |  |                                   |
|                    | 2 PLACES  | $\pm 0.13$                            | 2022/02/24                       |                    |         | SD-74546-800                   |                 |  |                                   |
|                    | 1 PLACE   | $\pm 0.25$                            | INITIAL REVISION:                |                    |         | MATERIAL NUMBER                |                 |  |                                   |
|                    | 0 PLACES  | $\pm$                                 | DRWN: BREED                      |                    |         | CUSTOMER                       |                 |  |                                   |
|                    | DRAFT WHERE APPLICABLE MUST REMAIN WITHIN DIMENSIONS  |                                       | THIRD ANGLE PROJECTION           |                    | DRAWING | SERIES                         | SHEET NUMBER    |  |                                   |
|                    |   |                                       |                                  |                    | B-SIZE  | 74546                          | 1 OF 4          |  |                                   |

|         |     |     |         |
|---------|-----|-----|---------|
| GND     | A1  | B1  | GND     |
| PETp0   | A2  | B2  | PERp0   |
| PETn0   | A3  | B3  | PERn0   |
| GND     | A4  | B4  | GND     |
| PETp1   | A5  | B5  | PERp1   |
| PETn1   | A6  | B6  | PERn1   |
| GND     | A7  | B7  | GND     |
| PETp2   | A8  | B8  | PERp2   |
| PETn2   | A9  | B9  | PERn2   |
| GND     | A10 | B10 | GND     |
| PETp3   | A11 | B11 | PERp3   |
| PETn3   | A12 | B12 | PERn3   |
| GND     | A13 | B13 | GND     |
| CREFLK+ | A14 | A14 | CREFLK+ |
| CREFLK- | A15 | A15 | CREFLK- |
| GND     | A16 | A16 | GND     |
| NC      | A17 | A17 | NC      |
| NC      | A18 | A18 | NC      |
| SB_RTN  | A19 | A19 | SB_RTN  |
| CPRSNT# | A20 | A20 | CPRSNT# |
| CPWRON  | A21 | A21 | CPWRON  |
| GND     | A22 | B22 | GND     |
| PETp4   | A23 | B23 | PERp4   |
| PETn4   | A24 | B24 | PERn4   |
| GND     | A25 | B25 | GND     |
| PETp5   | A26 | B26 | PERp5   |
| PETn5   | A27 | B27 | PERn5   |
| GND     | A28 | B28 | GND     |
| PETp6   | A29 | B29 | PERp6   |
| PETn6   | A30 | B30 | PERn6   |
| GND     | A31 | B31 | GND     |
| PETp7   | A32 | B32 | PERp7   |
| PETn7   | A33 | B33 | PERn7   |
| GND     | A34 | B34 | GND     |
| GND     | B1  | A1  | GND     |
| PERp0   | B2  | A2  | PETp0   |
| PERn0   | B3  | A3  | PETn0   |
| GND     | B4  | A4  | GND     |
| PERp1   | B5  | A5  | PETp1   |
| PERn1   | B6  | A6  | PETn1   |
| GND     | B7  | A7  | GND     |
| PERp2   | B8  | A8  | PETp2   |
| PERn2   | B9  | A9  | PETn2   |
| GND     | B10 | A10 | GND     |
| PERp3   | B11 | A11 | PETp3   |
| PERn3   | B12 | A12 | PETn3   |
| GND     | B13 | A13 | GND     |
| NC      | B14 | B14 | NC      |
| NC      | B15 | B15 | NC      |
| NC      | B16 | B16 | NC      |
| NC      | B17 | B17 | NC      |
| NC      | B18 | B18 | NC      |
| NC      | B19 | B19 | NC      |
| CWAKE#  | B20 | B20 | CWAKE#  |
| CPERST# | B21 | B21 | CPERST# |
| GND     | B22 | A22 | GND     |
| PERp4   | B23 | A23 | PETp4   |
| PERn4   | B24 | A24 | PETn4   |
| GND     | B25 | A25 | GND     |
| PERp5   | B26 | A26 | PETp5   |
| PERn5   | B27 | A27 | PETn5   |
| GND     | B28 | A28 | GND     |
| PERp6   | B29 | A29 | PETp6   |
| PERn6   | B30 | A30 | PETn6   |
| GND     | B31 | A31 | GND     |
| PERp7   | B32 | A32 | PETp7   |
| PERn7   | B33 | A33 | PETn7   |
| GND     | B34 | A34 | GND     |



TM  
IPASS IS A TRADEMARK OF MOLEX

|  |   |                        |                          |        |                            |   |  |  |
|--|---|------------------------|--------------------------|--------|----------------------------|---|--|--|
| FUNCTIONAL SYMBOLS                                   | THIS DRAWING CONTAINS INFORMATION THAT IS PROPRIETARY TO MOLEX ELECTRONIC TECHNOLOGIES, LLC AND SHOULD NOT BE USED WITHOUT WRITTEN PERMISSION |                        |                          |        |                            |   |  |  |
|  | DIMENSION UNITS   | SCALE                  |                          |        |                            | CURRENT REV DESC: MIGRATED TO NX<br><br>EC NO: 697045<br>DRWN: SKRISHNAMURT 2022/01/14<br>CHKD: JORTIZ02 2022/02/24<br>APPR: JORTIZ02 2022/02/24<br>INITIAL REVISION:<br>DRWN: BREED 2004/11/16<br>APPR: DDOYE 2004/12/02 |  |  |
|  | GENERAL TOLERANCES (UNLESS SPECIFIED)   |                        |                          |        |                            |   |  |  |
|  | ANGULAR TOL ± 0.5°  |                        |                          |        |                            |   |  |  |
| DIVISIONAL SYMBOLS                                   | 4 PLACES ±  | 3 PLACES ±             | PRODUCT CUSTOMER DRAWING |        |                            |   |  |  |
|  | 2 PLACES ± 0.13   | 1 PLACE ± 0.25         | DOCUMENT NUMBER          |        |                            |   |  |  |
|  | 0 PLACES ±  |                        | SD-74546-800             |        | DOC TYPE DOC PART REVISION |   |  |  |
| DRAFT WHERE APPLICABLE MUST REMAIN WITHIN DIMENSIONS |   | THIRD ANGLE PROJECTION | DRAWING                  | SERIES | MATERIAL NUMBER            | CUSTOMER  |  |  |
|  |   |                        | B-SIZE                   | 74546  | SEE TABLE                  | GENERAL MARKET  |  |  |
|  |   |                        |                          |        |                            | SHEET NUMBER  |  |  |
|  |   |                        |                          |        |                            | 2 OF 4  |  |  |



| CABLE GAGE                   | 24    | 26   | 28   |
|------------------------------|-------|------|------|
| A. CABLE DIAMETER            | 10.4  | 9.3  | 8.4  |
| B. MINIMUM OUTER RADIUS      | 46.9  | 41.7 | 37.7 |
| C. FACEPLATE TO OUTER RADIUS | 102.2 | 97.0 | 93.0 |

TM  
IPASS IS A TRADEMARK OF MOLEX

| FUNCTIONAL SYMBOLS   | THIS DRAWING CONTAINS INFORMATION THAT IS PROPRIETARY TO MOLEX ELECTRONIC TECHNOLOGIES, LLC AND SHOULD NOT BE USED WITHOUT WRITTEN PERMISSION |                 | <p><b>molex</b></p> <p>I-PASS<br/>X8 CABLE ASSEMBLY GEN 1</p> <p>PRODUCT CUSTOMER DRAWING</p> |         |          |                 |                |     |                                  |        |                 |          |          |          |  |  |              |     |     |    |
|--|---|-----------------|---|---------|----------|-----------------|----------------|-----|----------------------------------|--------|-----------------|----------|----------|----------|--|--|--------------|-----|-----|----|
|  | <table border="1"> <tr> <th>DIMENSION UNITS</th> <th>SCALE</th> </tr> <tr> <td>mm</td> <td>1:1</td> </tr> </table>                            | DIMENSION UNITS |   |         |          | SCALE           | mm             | 1:1 | CURRENT REV DESC: MIGRATED TO NX |        | DOCUMENT NUMBER | DOC TYPE | DOC PART | REVISION |  |  |              |     |     |    |
| DIMENSION UNITS  | SCALE   |                 |   |         |          |                 |                |     |                                  |        |                 |          |          |          |  |  |              |     |     |    |
| mm   | 1:1   |                 |   |         |          |                 |                |     |                                  |        |                 |          |          |          |  |  |              |     |     |    |
| <table border="1"> <tr> <td colspan="2">GENERAL TOLERANCES (UNLESS SPECIFIED)</td> </tr> <tr> <td>ANGULAR TOL</td> <td>± 0.5°</td> </tr> <tr> <td>4 PLACES</td> <td>±</td> </tr> <tr> <td>3 PLACES</td> <td>±</td> </tr> <tr> <td>2 PLACES</td> <td>± 0.13</td> </tr> <tr> <td>1 PLACE</td> <td>± 0.25</td> </tr> <tr> <td>0 PLACES</td> <td>±</td> </tr> </table> | GENERAL TOLERANCES (UNLESS SPECIFIED)   |                 | ANGULAR TOL   | ± 0.5°  | 4 PLACES | ±               | 3 PLACES       | ±   | 2 PLACES                         | ± 0.13 | 1 PLACE         | ± 0.25   | 0 PLACES | ±        | EC NO: 697045<br>DRWN: SKRISHNAMURT 2022/01/14<br>CHKD: JORTIZ02 2022/02/24<br>APPR: JORTIZ02 2022/02/24 |  | SD-74546-800 | PSD | 001 | L1 |
| GENERAL TOLERANCES (UNLESS SPECIFIED)  |   |                 |   |         |          |                 |                |     |                                  |        |                 |          |          |          |  |  |              |     |     |    |
| ANGULAR TOL  | ± 0.5°  |                 |   |         |          |                 |                |     |                                  |        |                 |          |          |          |  |  |              |     |     |    |
| 4 PLACES   | ±   |                 |   |         |          |                 |                |     |                                  |        |                 |          |          |          |  |  |              |     |     |    |
| 3 PLACES   | ±   |                 |   |         |          |                 |                |     |                                  |        |                 |          |          |          |  |  |              |     |     |    |
| 2 PLACES   | ± 0.13  |                 |   |         |          |                 |                |     |                                  |        |                 |          |          |          |  |  |              |     |     |    |
| 1 PLACE  | ± 0.25  |                 |   |         |          |                 |                |     |                                  |        |                 |          |          |          |  |  |              |     |     |    |
| 0 PLACES   | ±   |                 |   |         |          |                 |                |     |                                  |        |                 |          |          |          |  |  |              |     |     |    |
| DIVISIONAL SYMBOLS   | INITIAL REVISION:<br>DRWN: BREED 2004/11/16<br>APPR: DDOYE 2004/12/02   |                 | MATERIAL NUMBER   |         | CUSTOMER |                 | SHEET NUMBER   |     |                                  |        |                 |          |          |          |  |  |              |     |     |    |
|  | DRAFT WHERE APPLICABLE MUST REMAIN WITHIN DIMENSIONS  |                 | THIRD ANGLE PROJECTION  | DRAWING | SERIES   | MATERIAL NUMBER | CUSTOMER       |     |                                  |        |                 |          |          |          |  |  |              |     |     |    |
|  |   |                 |   | B-SIZE  | 74546    | SEE TABLE       | GENERAL MARKET |     |                                  |        |                 |          |          |          |  |  |              |     |     |    |
|  |   |                 |   |         |          |                 | 3 OF 4         |     |                                  |        |                 |          |          |          |  |  |              |     |     |    |

F

F

E

E

D

D

C

C

B

B

A

A

| REV | DATE       | DESCRIPTION   |
|-----|------------|---|
| A   | N/A        | N/A   |
| B   | N/A        | N/A   |
| C   | N/A        | N/A   |
| D   | N/A        | N/A   |
| E   | N/A        | N/A   |
| F   | N/A        | N/A   |
| G   | N/A        | N/A   |
| H   | N/A        | N/A   |
| I   | N/A        | N/A   |
| J   | N/A        | N/A   |
| K   | N/A        | N/A   |
| L   | N/A        | N/A   |
| L1  | 01/27/2022 | 1) MIGRATED THE SLAES DRAWING TO NX<br>2) ADDED THE BARCODE IN THE LABEL WHICH CONTAINS PART NUMBER AND SERIAL NUMBER |
|     |            |   |
|     |            |   |
|     |            |   |
|     |            |   |

|   |                                       |                        |                                  |   |          |                |              |        |  |
|---|---------------------------------------|------------------------|----------------------------------|---|----------|----------------|--------------|--------|--|
| THIS DRAWING CONTAINS INFORMATION THAT IS PROPRIETARY TO MOLEX ELECTRONIC TECHNOLOGIES, LLC AND SHOULD NOT BE USED WITHOUT WRITTEN PERMISSION |                                       |                        |                                  |   |          |                |              |        |  |
| FUNCTIONAL SYMBOLS  | DIMENSION UNITS                       | SCALE                  | CURRENT REV DESC: MIGRATED TO NX |   |          |                |              |        |  |
|   | $\nabla = 0$                          | mm                     | 1:1                              | EC NO: 697045<br>DRWN: SKRISHNAMURT 2022/01/14<br>CHKD: JORTIZ02 2022/02/24<br>APPR: JORTIZ02 2022/02/24<br>INITIAL REVISION:<br>DRWN: BREED 2004/11/16<br>APPR: DDOYE 2004/12/02 |          |                |              |        |  |
|   | GENERAL TOLERANCES (UNLESS SPECIFIED) |                        |                                  |   |          |                |              |        |  |
|   | ANGULAR TOL $\pm 0.5^\circ$           |                        |                                  |   |          |                |              |        |  |
|   | 4 PLACES $\pm$                        |                        |                                  |   |          |                |              |        |  |
| DIVISIONAL SYMBOLS  | 3 PLACES $\pm$                        |                        | PRODUCT CUSTOMER DRAWING         |   |          |                |              |        |  |
|   | 2 PLACES $\pm 0.13$                   |                        | DOCUMENT NUMBER                  |   | DOC TYPE | DOC PART       | REVISION     |        |  |
|   | 1 PLACE $\pm 0.25$                    |                        | SD-74546-800                     |   | PSD      | 001            | L1           |        |  |
|   | 0 PLACES $\pm$                        |                        | MATERIAL NUMBER                  |   | CUSTOMER |                | SHEET NUMBER |        |  |
| DRAFT WHERE APPLICABLE MUST REMAIN WITHIN DIMENSIONS  |                                       | THIRD ANGLE PROJECTION |                                  | DRAWING   | SERIES   | GENERAL MARKET |              | 4 OF 4 |  |
|   |                                       |                        |                                  | B-SIZE  | 74546    |                |              |        |  |