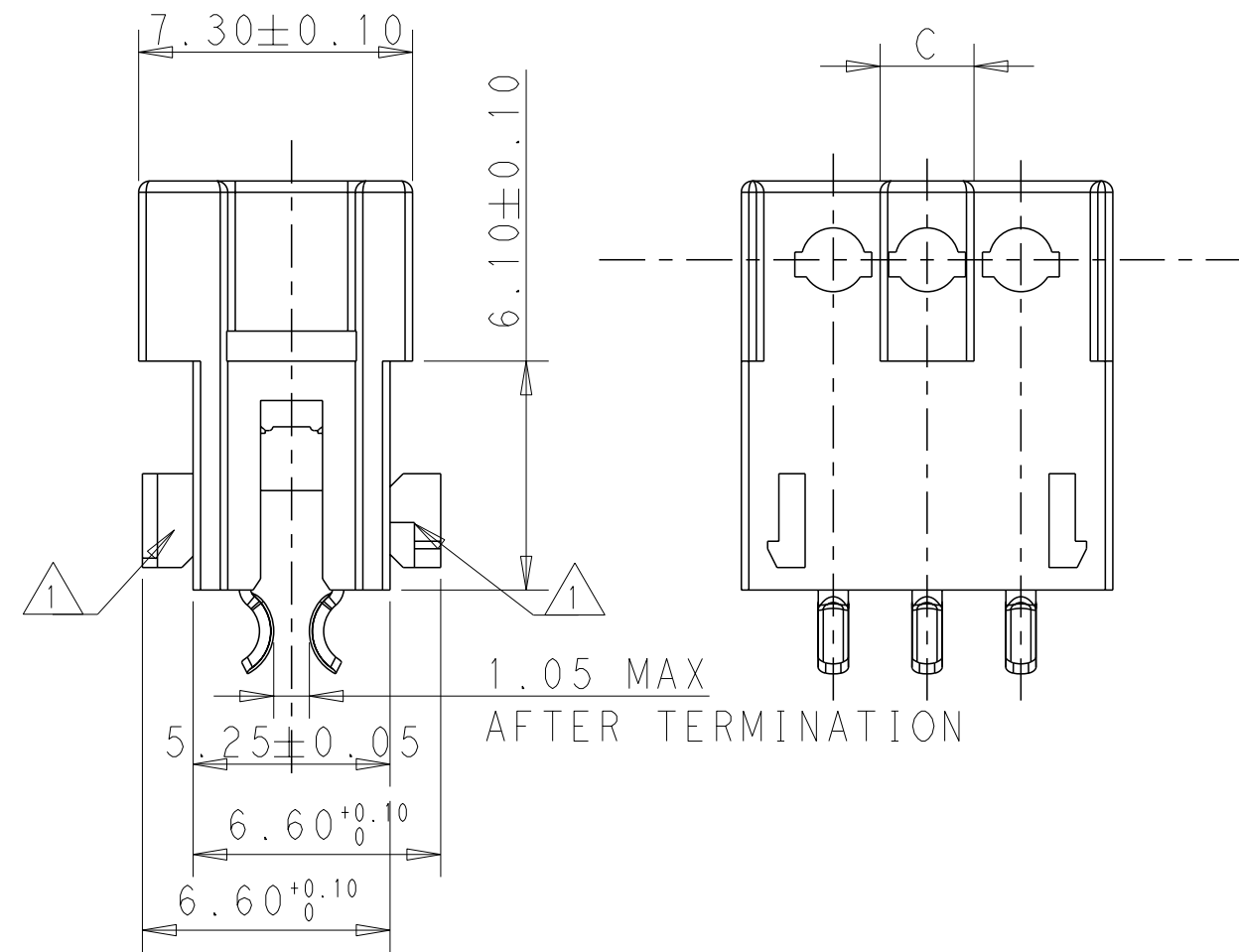
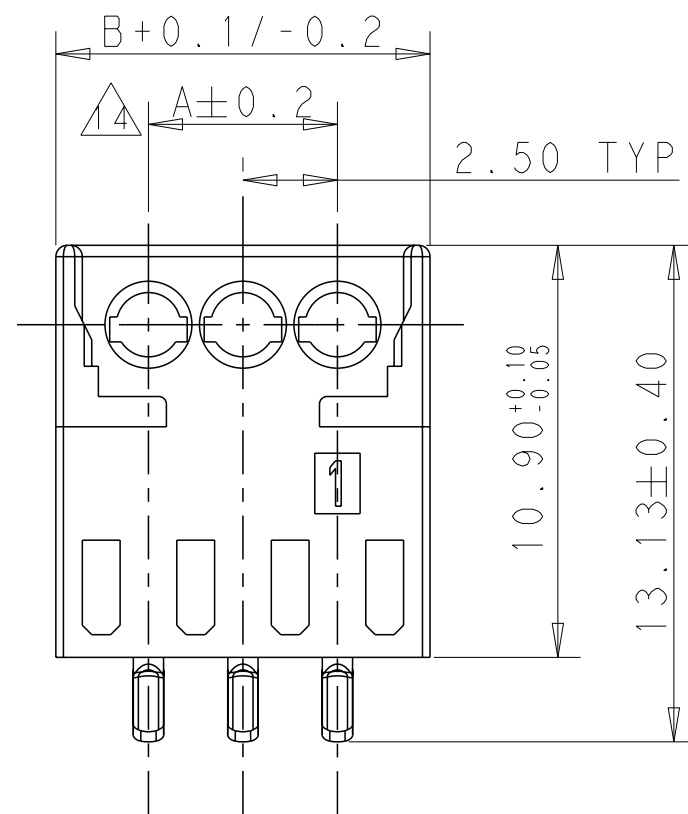
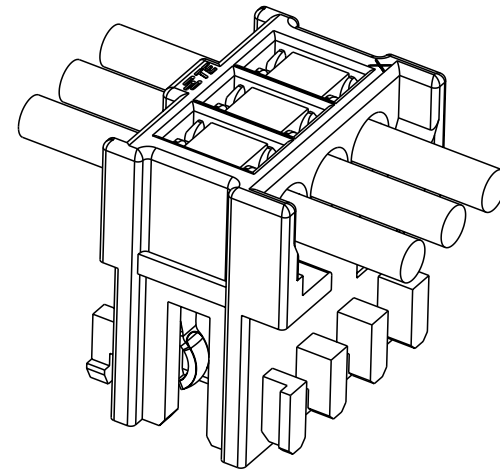
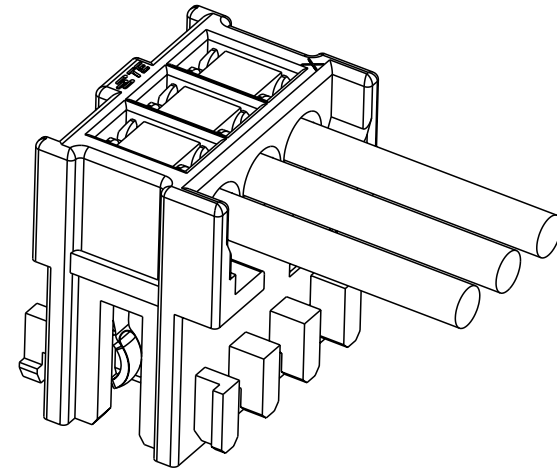
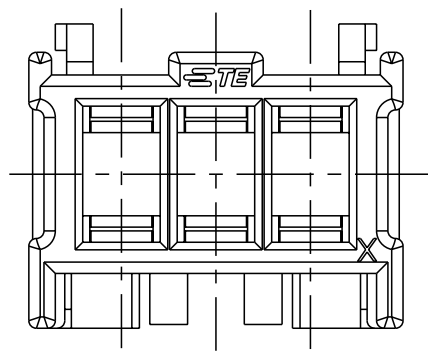
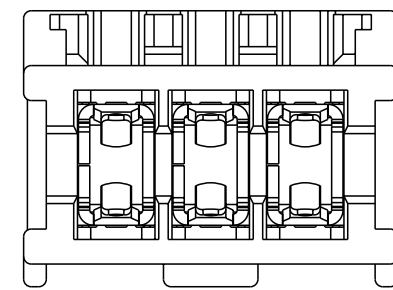
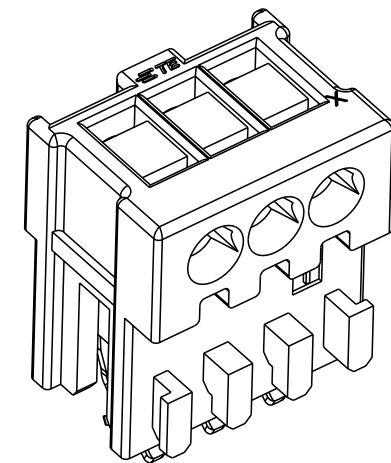
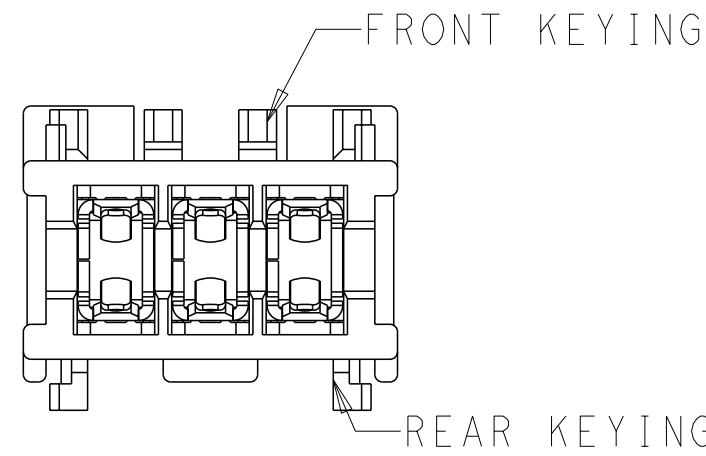
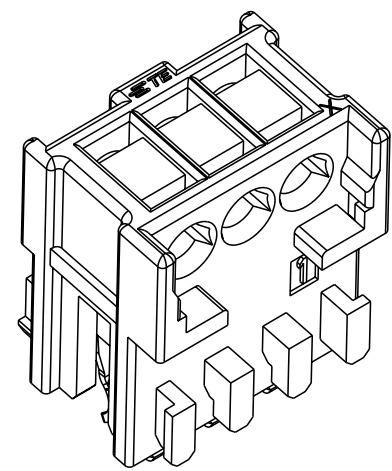


THIS DRAWING IS UNPUBLISHED. RELEASED FOR PUBLICATION
 © COPYRIGHT copyright.d8te- ALL RIGHTS RESERVED.

REVISIONS				
P	LTR	DESCRIPTION	DATE	APVD
	D2	ECR-22-140247	27MAY2022	LZ FL



KEYING OPTION A AS SHOWN



OPTION A
FRONT KEYING + REAR KEYING
OPENING ON FRONT

OPTION B
FRONT KEYING ONLY
CLOSING ON FRONT

KEYING OPTIONS

TERMINATED STATUS

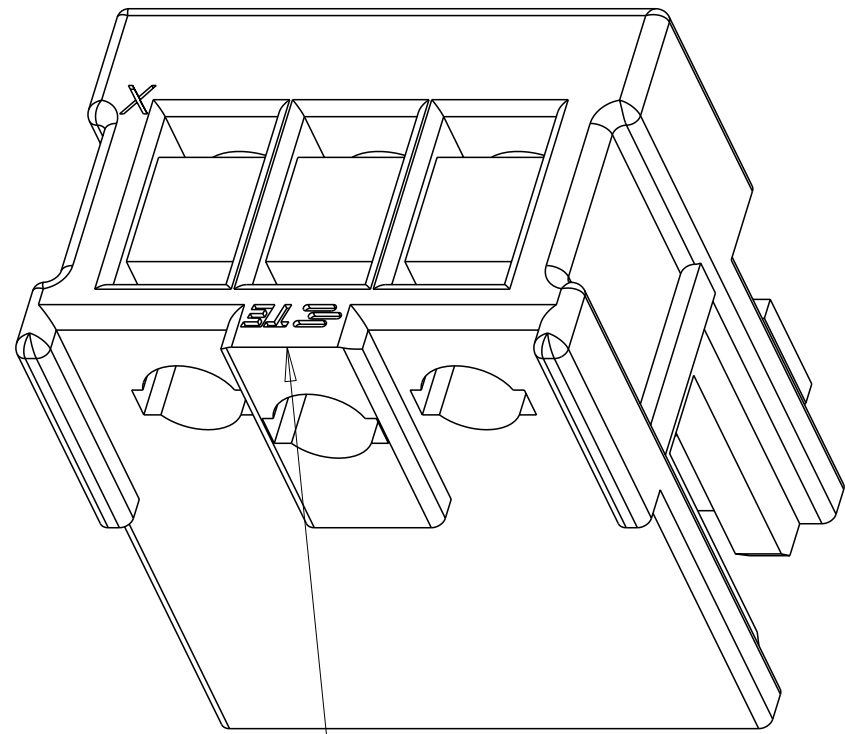
- 1 KEYING RIBS: POSSIBLE TO BE CUT WITH TERMINATION MACHINE
- 2. MATING PART: PCB OR TAB HEADER ACC. RAST 2.5 STANDARD
- 3. HOUSING: NYLON, IEC 60335-1 GLOW WIRE TEST 750°C WITHOUT FLAME CONTACT: COPPER ALLOY WITH TIN PLATED
- 4. WIRE RANGE 0.22~0.35MM², INSULATION RANGE 1.2~1.6 MM
- 5 KEYING RIBS BETWEEN CAVITY NO.. SEE TABLE
- 6 TWO KEYING OPTIONS ARE AVAILABLE, THE DIMENSIONS FOR THE TWO OPTIONS ARE THE SAME EXCEPT THAT THE OPTION B HAS ONLY THE FRONT KEYING AND CLOSED FRONT OF HOUSING
- 7. FULLY LOADED AND SELECTIVELY LOADED VERSIONS ARE AVAILABLE
- 8 X.. CAVITY LOADED WITH CONTACT
O.. CAVITY WITHOUT CONTACT
- 9 KEYING CONFIGURATION SEE PAGE 5, IF NO DETAIL KEYING CONFIGURATION SHOWN TO A PN, THEN NO NEED TO CUT ANY KEYING ON THIS PN
- 10. THE SCRATCHES ON THE HOUSING DUE TO THE BARBS OF THE CONTACT ARE ACCEPTABLE, DETAIL PICTURES PLEASE SEE THE SEPC 114-106198.
- 11 PRELIMINARY PART NOT RELEASED FOR PRODUCTION
- 12 THE PART NUMBER IS WITH LOOSE PIECE AND PACKAGED WITH TUBE
- 13 THE PART NUMBER IS WITH CHAIN CONNECTION
- 14 DIMENSION "A" IS FROM FIRST HOLE TO LAST HOLE IN THE HOUSING
- 15 PNS WITH BLACK HOUSING, OTHERS ARE WITH NATURAL HOUSING
- 16 PACKING WITH U SHAPE TUBE
- 17 PACKING WITH O SHAPE TUBE

THIS DRAWING IS A CONTROLLED DOCUMENT.		DWN 09 JUN 2015 WINTER WANG	TE Connectivity	
DIMENSIONS: mm		CHK 09 JUN 2015 DANIEL ZHANG		
TOLERANCES UNLESS OTHERWISE SPECIFIED:		APVD 09 JUN 2015 RICCARDO ROBONE	NAME Customer Drawing MONOPLUG 2.5 CONNECTOR	
0 PLC ±0.4		PRODUCT SPEC 108-106198	SIZE A2	
1 PLC ±0.3		APPLICATION SPEC 114-106198	CAGE CODE -	
2 PLC ±0.2		WEIGHT -	DRAWING NO C-2232884	
3 PLC ±		CUSTOMER DRAWING	RESTRICTED TO -	
4 PLC ±		SCALE 5:1	SHEET 1 OF 4	
ANGLES ±		REV D2		
FINISH -				

Printed on 27 May 2022 19:52 (China Standard Time) from IE295817

THIS DRAWING IS UNPUBLISHED. RELEASED FOR PUBLICATION
 © COPYRIGHT copyright.d8te ALL RIGHTS RESERVED.

REVISIONS				
P	LTR	DESCRIPTION	DATE	APVD
		SEE SHEET 1		



WITHOUT OBVIOUS RADIUS IN THIS EDGE, ONLY FOR 3P, 4P & 5P

PROPERTIES	CAVITIES LOADED	KEYING OPTION	POS.	DIM A	DIM B	DIM C	PART-NO	PART-NO
UL94-V0 GWT 750°C TIN PLATED LOOSE PIECE	ALL CAVITIES LOADED WITH CONTACT, FULLY LOADED	B	13	30	34.9	2.5	1-2232893-3	1-2406853-3
			12	27.5	32.4	5	1-2232893-2	1-2406853-2
			11	25	29.9	2.5	1-2232893-1	1-2406853-1
			10	22.5	27.4	5	1-2232892-0	1-2406852-0
			9	20	24.9	2.5	1-2232892-9	1-2406852-9
			8	17.5	22.4	5	1-2232892-8	1-2406852-8
			7	15	19.9	2.5	1-2232892-7	1-2406852-7
			6	12.5	17.4	5	1-2232892-6	1-2406852-6
			5	10	14.9	2.5	1-2351101-5 ^{△15}	1-2406854-5 ^{△15}
			5	10	14.9	2.5	1-2232892-5	1-2406852-5
			4	7.5	12.4	5	1-2351101-4 ^{△15}	1-2406854-4 ^{△15}
			4	7.5	12.4	5	1-2232892-4	1-2406852-4
			3	5	9.9	2.5	1-2351101-3 ^{△15}	1-2406854-3 ^{△15}
3	5	9.9	2.5	1-2232892-3	1-2406852-3			
2	2.5	7.4	2.5	1-2232892-2	1-2406852-2			

PROPERTIES	CAVITIES LOADED	KEYING OPTION	POS.	DIM A	DIM B	DIM C	PART-NO
UL94-V0 GWT 750°C TIN PLATED LOOSE PIECE	ALL CAVITIES LOADED WITH CONTACT, FULLY LOADED	A	13	30	34.9	2.5	1-2232885-3
			12	27.5	32.4	5	1-2232885-2
			11	25	29.9	2.5	1-2232885-1
			10	22.5	27.4	5	1-2232884-0
			9	20	24.9	2.5	1-2232884-9
			8	17.5	22.4	5	1-2232884-8
			7	15	19.9	2.5	1-2232884-7
			6	12.5	17.4	5	1-2232884-6
			5	10	14.9	2.5	1-2232884-5
			4	7.5	12.4	5	1-2232884-4
			3	5	9.9	2.5	1-2232884-3
			2	2.5	7.4	2.5	1-2232884-2

THIS DRAWING IS A CONTROLLED DOCUMENT.		DWN WINTER WANG 09 JUN 2015	TE Connectivity	
DIMENSIONS: mm		CHK DANIEL ZHANG 09 JUN 2015		
TOLERANCES UNLESS OTHERWISE SPECIFIED:		APVD RICCARDO ROBONE 09 JUN 2015	NAME Customer Drawing MONOPLUG 2.5 CONNECTOR	
0 PLC ±0.4 1 PLC ±0.3 2 PLC ±0.2 3 PLC ± 4 PLC ± ANGLES ± FINISH -		PRODUCT SPEC 108-106198	SIZE A2	CAGE CODE -
MATERIAL		APPLICATION SPEC 114-106198	DRAWING NO C-2232884	RESTRICTED TO -
		WEIGHT -	SCALE 5:1	SHEET 2 OF 4
		CUSTOMER DRAWING	REV D2	

Printed on 27 May 2022 19:52 (China Standard Time) from IE295817

THIS DRAWING IS UNPUBLISHED. RELEASED FOR PUBLICATION
 © COPYRIGHT copyright.d8Te- ALL RIGHTS RESERVED.

REVISIONS				
P	LTR	DESCRIPTION	DATE	APVD
		SEE SHEET 1		

UL94-V0 GWT 750°C TIN PLATED LOOSE PIECE	X	O	X	O	X	O	X	O	X	O	X	O	X	B	13	30	34.9	2.5	1-2232891-3	1-2406851-3
	X	X	X	O	O	X	O	O	X	X	X	X			12	27.5	32.4	5	1-2232891-2	1-2406851-2
	X	X	X	O	O	O	X	O	X	O	X				11	25	29.9	2.5	2-2232891-1	2-2406851-1
	X	O	X	O	X	O	X	O	X	O	X				11	25	29.9	2.5	1-2232891-1	1-2406851-1
	X	O	O	X	O	X	O	X	O	X					10	22.5	27.4	5	4-2232890-0	4-2406849-0
	X	X	O	X	O	X	O	X	O	X					10	22.5	27.4	5	3-2232890-0	3-2406849-0
	X	X	O	X	O	X	O	X	X	X					10	22.5	27.4	5	1-2232890-0	1-2406849-0
	X	O	X	O	X	O	X	O	X						9	20	24.9	2.5	1-2232890-9	1-2406849-9
	X	X	O	O	O	X	X	X							8	17.5	22.4	5	1-2232890-8	1-2406849-8
	X	O	X	O	X	O	X								7	15	19.9	2.5	1-2352002-7 \triangle_{15}	1-2406856-7 \triangle_{15}
	X	O	X	O	X	O	X								7	15	19.9	2.5	1-2232890-7	1-2406849-7
	X	O	X	O	X	X									6	12.5	17.4	5	1-2232890-6	1-2406849-6
	X	O	X	O	X										5	10	14.9	2.5	1-2352002-5 \triangle_{15}	1-2406856-5 \triangle_{15}
	X	O	X	O	X										5	10	14.9	2.5	1-2232890-5	1-2406849-5
	X	O	X	X											4	7.5	12.4	5	1-2232890-4	1-2406849-4
X	O	X											3	5	9.9	2.5	1-2232890-3	1-2406849-3		
X	O												2	2.5	7.4	2.5	1-2232890-2	1-2406849-2		
PROPERTIES	1	2	3	4	5	6	7	8	9	10	11	12	13	KEYING OPTION	POS.	DIM A	DIM B	DIM C	PART-NO. \triangle_{12} \triangle_{16}	PART-NO. \triangle_{12} \triangle_{17}
CAVITIES LOADED \triangle_8																				

UL94-V0 GWT 750°C TIN PLATED LOOSE PIECE	X	O	X	O	X	O	X	O	X	O	X	O	X	A	13	30	34.9	2.5	1-2232895-3			
	X	X	X	O	O	X	O	O	X	X	X	X			12	27.5	32.4	5	1-2232895-2			
	X	X	X	O	O	O	X	O	X	O	X				11	25	29.9	2.5	2-2232895-1			
	X	O	X	O	X	O	X	O	X	O	X				11	25	29.9	2.5	1-2232895-1			
	X	X	O	X	O	X	O	X	X	X					10	22.5	27.4	5	1-2232894-0			
	X	O	X	O	X	O	X	O	X						9	20	24.9	2.5	1-2232894-9			
	X	X	O	O	O	X	X	X							8	17.5	22.4	5	1-2232894-8			
	X	O	X	O	X	O	X								7	15	19.9	2.5	1-2232894-7			
	X	O	X	O	X	X									6	12.5	17.4	5	1-2232894-6			
	X	O	X	O	X										5	10	14.9	2.5	1-2232894-5			
	X	O	X	X											4	7.5	12.4	5	1-2232894-4			
	X	O	X												3	5	9.9	2.5	1-2232894-3			
	X	O													2	2.5	7.4	2.5	1-2232894-2			
	PROPERTIES	1	2	3	4	5	6	7	8	9	10	11	12		13	KEYING OPTION	POS.	DIM A	DIM B	DIM C	PART-NO. \triangle_{11} \triangle_{12} \triangle_{16}	
	CAVITIES LOADED \triangle_8																					

THIS DRAWING IS A CONTROLLED DOCUMENT.		DWN 09 JUN 2015 WINTER WANG	STE TE Connectivity	
		CHK 09 JUN 2015 DANIEL ZHANG		
		APVD 09 JUN 2015 RICCARDO ROBONE	NAME Customer Drawing MONOPLUG 2.5 CONNECTOR	
DIMENSIONS: mm		TOLERANCES UNLESS OTHERWISE SPECIFIED:		PRODUCT SPEC 108-106198
		0 PLC ±0.4		APPLICATION SPEC 114-106198
		1 PLC ±0.3		SIZE A2
		2 PLC ±0.2		CAGE CODE -
		3 PLC ±		DRAWING NO C-2232884
		4 PLC ±		RESTRICTED TO -
MATERIAL -		FINISH -		SCALE 5:1
				SHEET 3 OF 4
				REV D2
		CUSTOMER DRAWING		

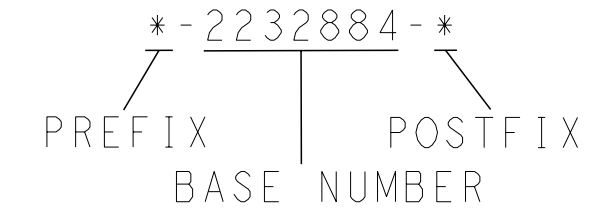
Printed on 27 May 2022 19:52 (China Standard Time) from IE295817

THIS DRAWING IS UNPUBLISHED. RELEASED FOR PUBLICATION
 © COPYRIGHT copyright.d8te ALL RIGHTS RESERVED.

REVISIONS				
P	LTR	DESCRIPTION	DATE	APVD
		SEE SHEET 1		

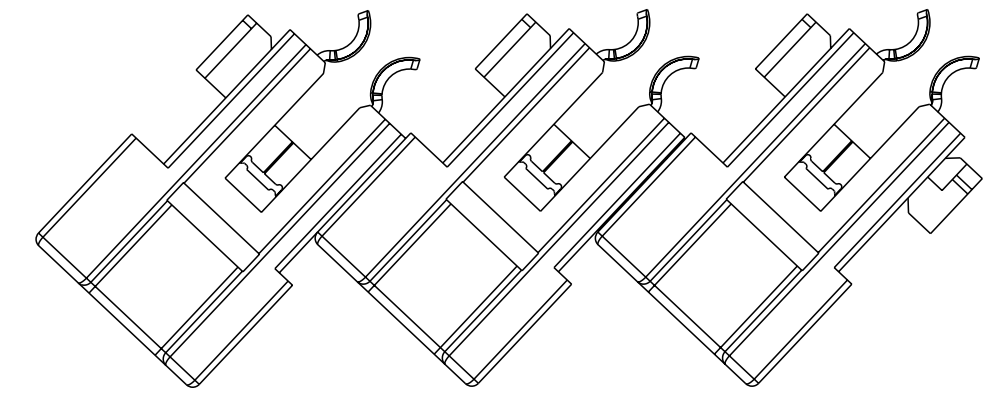
FOR ANY PART NUMBER WITH KEYING OPTION A, THERE ARE TWO PACKGING STYLE AVAILABLE, LOOSE PIECE AND CHAIN CONNECTION. THE P/N OF THE PARTS IN CHAIN CONNECTION IS BASED ON THE PARTS IN LOOSE PIECE, THE PREFIX AND POSTFIX ARE THE SAME FOR THE SAME STRUCTURE OF THE PARTS, BUT THE BASE NUMBERS ARE DIFFERENT ACCORDING TO DIFFERENT PACKAGING STYLE. THE FOLLOWING TABLE SHOWS THE P/S FOR THE PARTS IN CHAIN CONNECTION BASED ON THE PARTS IN LOOSE PIECE

PACKAGING STYLE	△1 LOOSE PIECE △2	△1 CHAIN CONNECTION △3
PART NUMBER OF MONOPLUG 2.5	*-2232884-*	*-2305996-*
	-2232885-	*-2305997-*
	-2232894-	*-2305998-*
	-2232895-	*-2305999-*
	-2304155-	*-2306437-*
	-2306443-	*-2306438-*
	-2306439-	*-2306441-*
	-2306440-	*-2306442-*



* CAN BE THE NUMBER FROM 0 TO 9, AND 0 CAN BE DEFAULT

FOR EXAMPLE, IF A PART OF MONOPLUG 2.5 IS IN LOOSE PIECE, AND IT'S PART NUMBER IS 1-2232885-2, AND IF THE SAME PART IS IN CHAIN CONNECTION, THEN THE PART NUMBER IS 1-2305997-2



△3 CHAIN CONNECTION

THIS DRAWING IS A CONTROLLED DOCUMENT.		DWN 09 JUN 2015 WINTER WANG	STE TE Connectivity	
DIMENSIONS: mm		CHK 09 JUN 2015 DANIEL ZHANG		
TOLERANCES UNLESS OTHERWISE SPECIFIED:		APVD 09 JUN 2015 RICCARDO ROBONE	NAME Customer Drawing MONOPLUG 2.5 CONNECTOR	
0 PLC ±0.4		PRODUCT SPEC 108-106198	SIZE A2	CAGE CODE -
1 PLC ±0.3		APPLICATION SPEC 114-106198	DRAWING NO C-2232884	RESTRICTED TO -
2 PLC ±0.2		WEIGHT -	SCALE 5:1	SHEET 4 OF 4
3 PLC ±		CUSTOMER DRAWING	REV D2	
4 PLC ±				
ANGLES ±				
FINISH -				

Printed on 27 May 2022 19:52 (China Standard Time) from IE295817