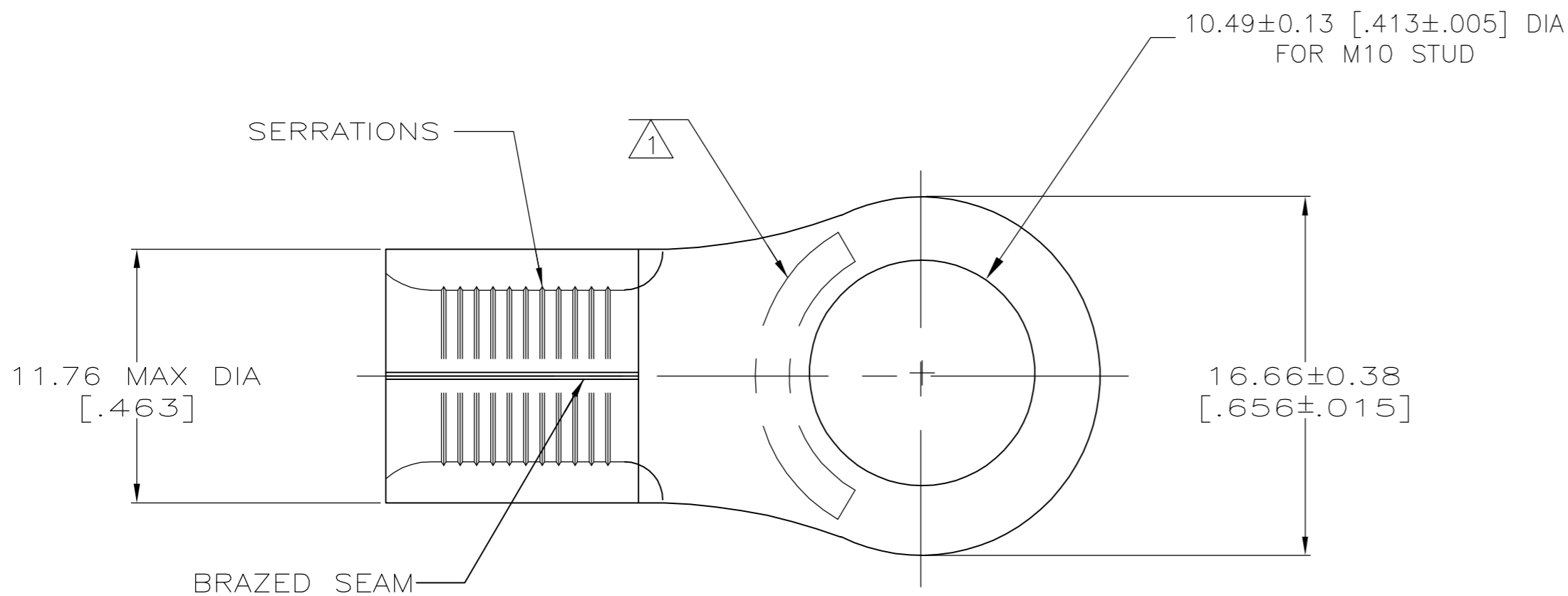
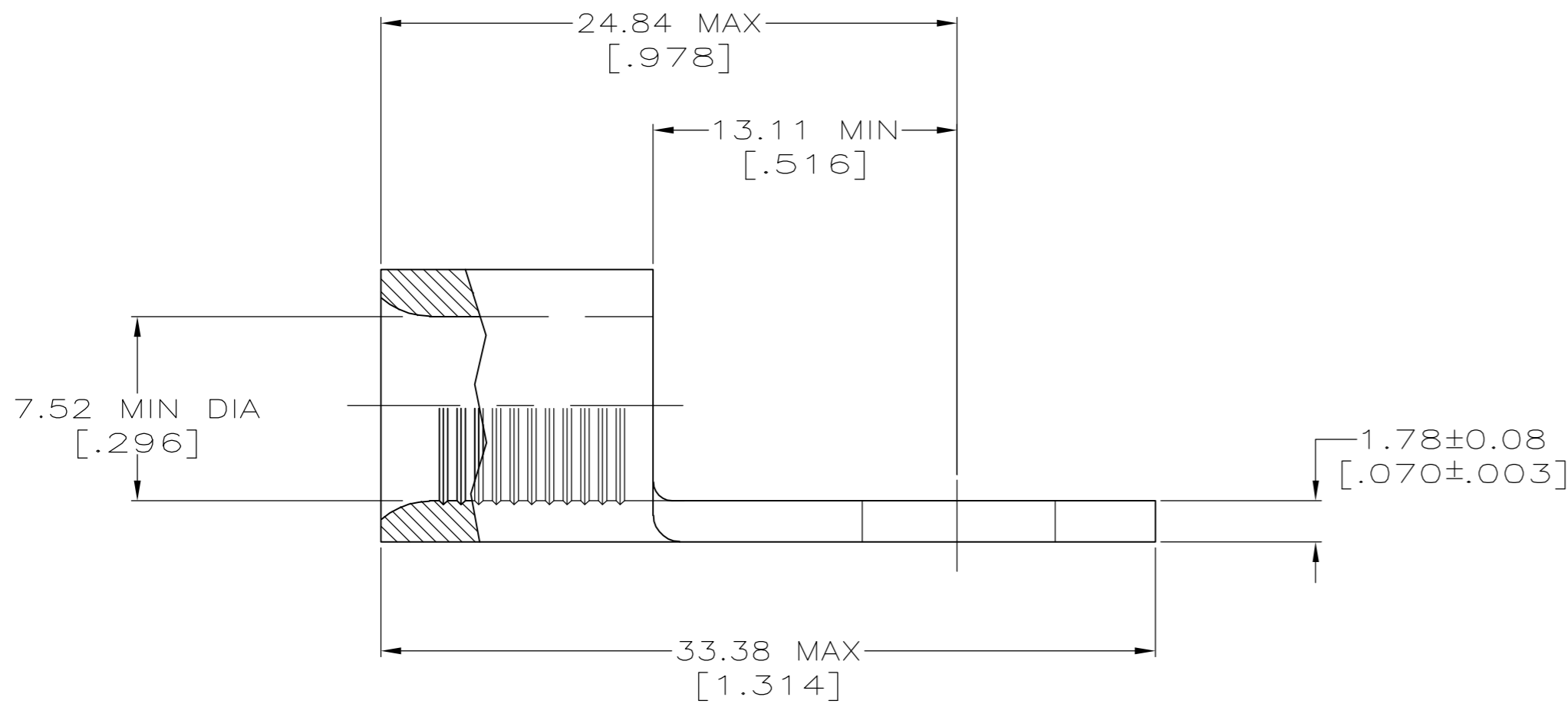


THIS DRAWING IS UNPUBLISHED. RELEASED FOR PUBLICATION
 © COPYRIGHT BY TYCO ELECTRONICS CORPORATION. ALL RIGHTS RESERVED.

| LOC | DIST | REVISIONS | | | |
|-----|------|-------------|-----------------------|---------|-------|
| P | LTR | DESCRIPTION | DATE | DWN | APVD |
| G | 14 | C | REV PER ECR 06-005021 | 01MAR06 | JR TM |



- STAMP AMP 4* APPROX AS SHOWN
- 2 MAX RECOMMENDED OPERATING TEMP IS 170°C MAX
- 3 VOLTAGE RATING, NOT APPLICABLE
- 4 WIRE CROSS SECTION AREA:
16.8-26.7mm² [33,100-52,600] CIR MIL
SOLID OR STRANDED
- 5 COPPER PER ASTM B-152, ANNEALED
- 6 TIN PLATE 0.00254 [.000100] MIN PER ASTM B545



| | | |
|-----|----------------|----------|
| 100 | LOOSE PIECE | 160075 |
| QTY | PACKAGING TYPE | PART NO. |

| | | | | | |
|--|---|------------------|--------------------------------------|------------|---|
| THIS DRAWING IS A CONTROLLED DOCUMENT. | | DWN | JR RUTH | 01MAR06 | Tyco Electronics Corporation Harrisburg, PA 17105-3608 |
| DIMENSIONS: INCHES | | CHK | T MICHIELUTTI | 01MAR06 | |
| TOLERANCES UNLESS OTHERWISE SPECIFIED: | | APVD | T MICHIELUTTI | 01MAR06 | |
| 0 PLC ± - 1 PLC ± - 2 PLC ± - 3 PLC ± 0.20[.008] 4 PLC ± - ANGLES ± - FINISH | | PRODUCT SPEC | NAME | | |
| | | APPLICATION SPEC | TERMINAL, RING TONGUE, SOLISTRAND | | RESTRICTED TO |
| MATERIAL | 5 | WEIGHT | - | SIZE | A2 |
| CUSTOMER DRAWING | | SCALE | 4:1 | CAGE CODE | 00779 |
| | | SHEET | 1 of 1 | DRAWING NO | C=160075 |
| | | REV | C | | |

160075