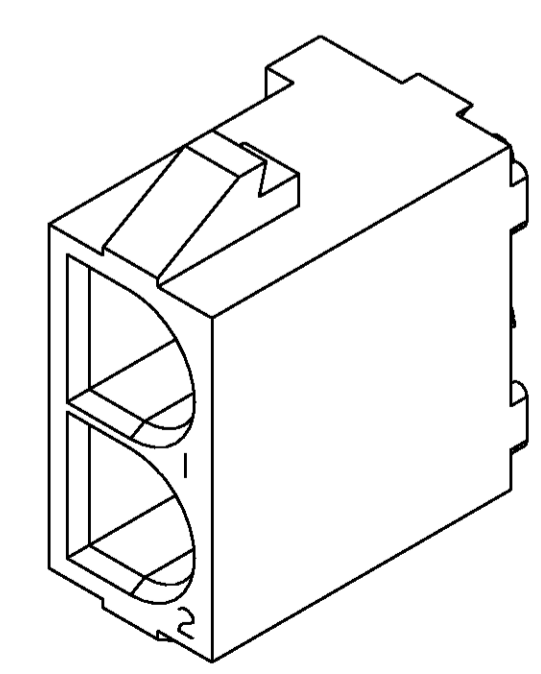
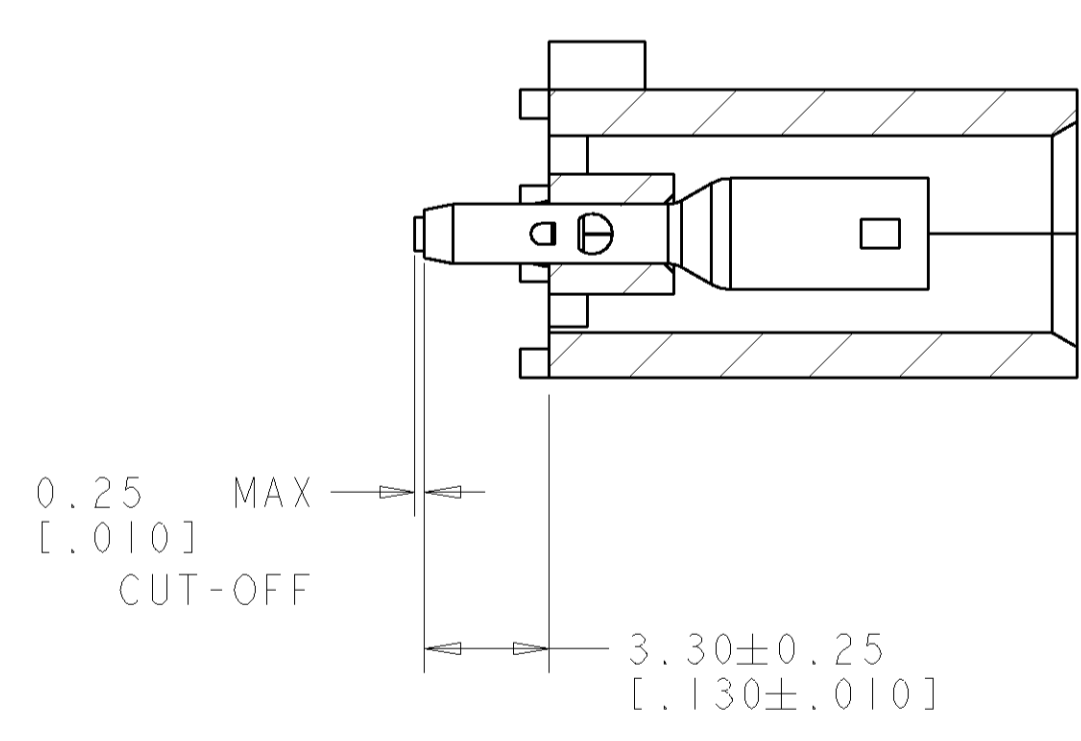
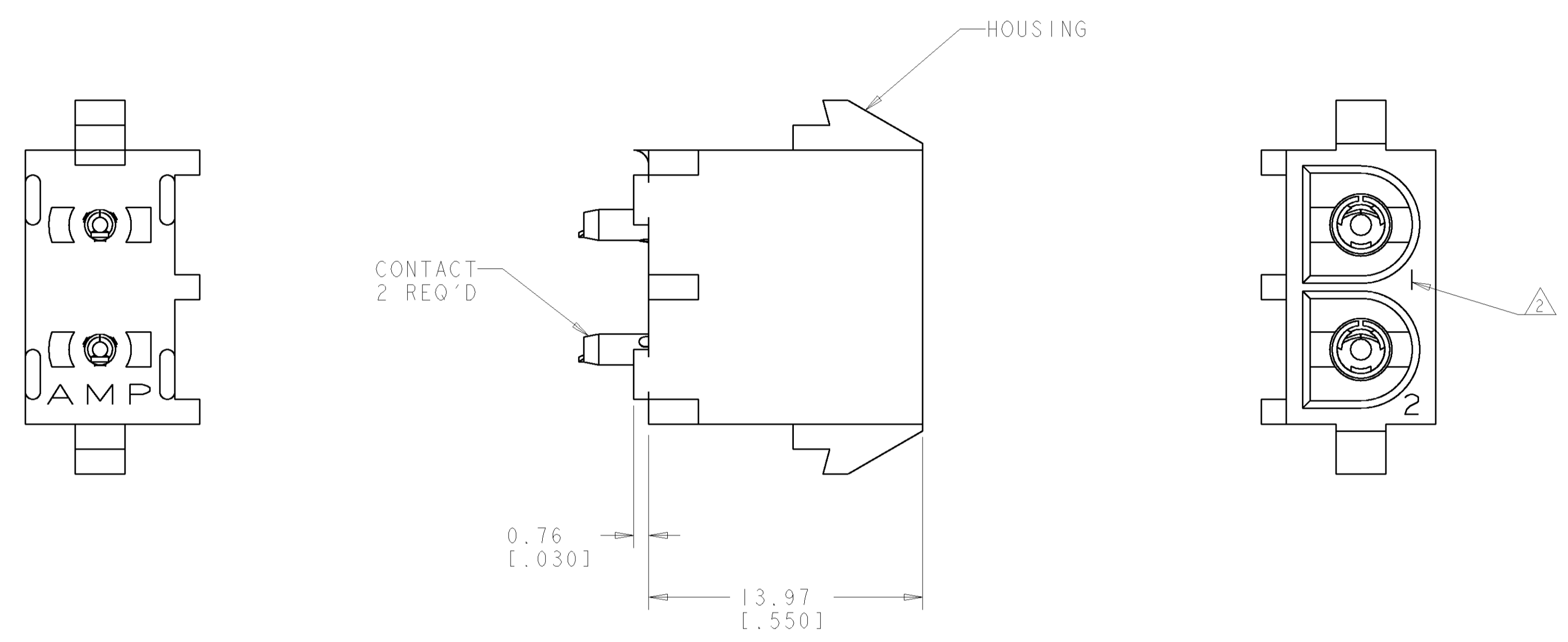
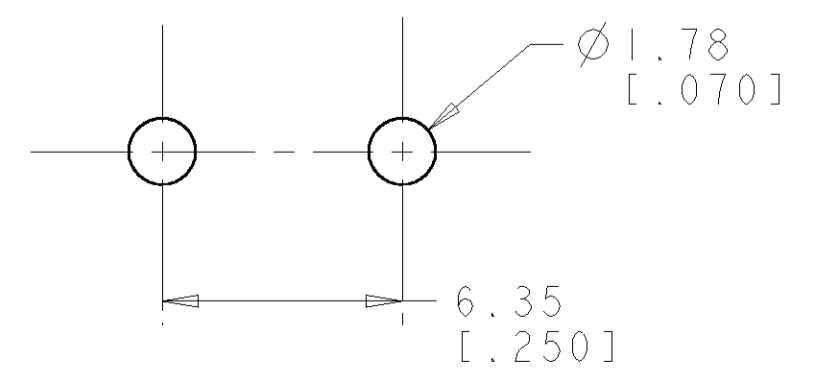


REVISES		DATE	BY	APP'D
CM	00	0	REVISOR	
		24MAR04	KW	SR

- PARTS COMPLY TO AMP SOLDERABILITY SPECIFICATION 109-11-2.
- CIRCUIT IDENTIFICATION CHARACTERS ARE ADJACENT TO THE INDICATED CAVITIES, BUT LOCATION AND ORIENTATION MAY DIFFER FROM PRINT.
- DIMENSIONS IN BRACKETS ARE IN INCHES.



3 DIMENSIONAL VIEW
SCALE 4:1



RECOMMENDED MOUNTING HOLE PATTERN
FOR 1.57 [0.062] THICK P.C. BOARD

PHOSFOR BRONZE, PRE-TIN PIN CONTACT MATERIAL AND FINISH	NYLON, UL94V-2, NATURAL HOUSING MATERIAL AND COLOR	1586354-1 PART NUMBER
<small>THE DIMENSIONS OF DIMENSIONS SPECIFIED FOR THIS PRODUCT ARE BASED ON THE DIMENSIONS OF THE PARTS AS SHOWN IN THE DRAWING UNLESS OTHERWISE SPECIFIED.</small> DIMENSIONS: mm [INCHES] TOLERANCES UNLESS OTHERWISE SPECIFIED: 0 PLC ± 1 PLC ± 2 PLC ±0.13 (0.005) 3 PLC ± 4 PLC ± ANGLES ±40° 30'		DWN R. WHITAKER 07-OCT-2003 ENR S. RIDGILL 07-OCT-2003 APP'D S. RIDGILL 07-OCT-2003 PRODUCT SPEC APPLICATION SPEC WEIGHT - CUSTOMER DRAWING
MATERIAL SEE TABLE FINISH SEE TABLE		Tyco Electronics Harrisburg, PA 17105-3608 NAME: SOCKET HEADER ASSEMBLY, 2 CIRCUIT, SHORT TAIL, UNIVERSAL MATE-N-LOK™ SIZE: CAGE CODE DRAWING NO. RESTRICTED TO A1 00779 C=1586354 SCALE 5:1 SHEET 1 OF 1 REV 0

