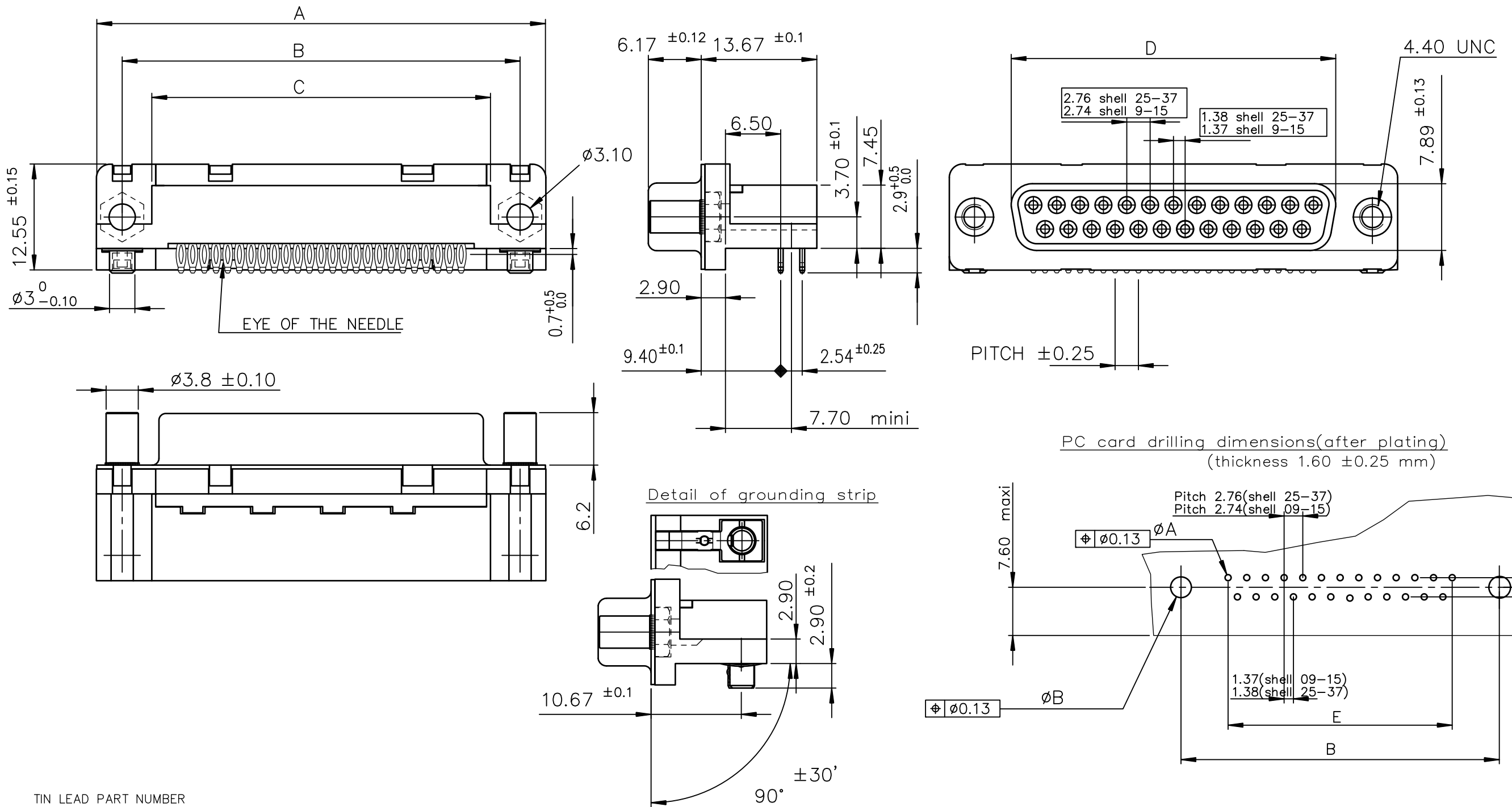


view shown without grounding and plastic pin



TIN LEAD PART NUMBER

SHELL	A±0.38	B±0.12	C±0.10	D±0.25	E±0.07	PART NUMBER	PART NUMBER
09	30.81	24.99	18.00	16.21	10.96	D09S82C4GV00	D09S82C6GV00
15	39.14	33.32	26.32	24.54	19.18	D15S82C4GV00	D15S82C6GV00
25	53.03	47.04	40.04	38.25	33.12	D25S82C4GV00	D25S82C6GV00
37	69.32	63.50	56.50	54.71	49.68	D37S82C4GV00	D37S82C6GV00
						Gold flash	0.76 μ gold

LEAD FREE PART NUMBER

SHELL	A±0.38	B±0.12	C±0.10	D±0.25	E±0.07	PART NUMBER	PART NUMBER
09	30.81	24.99	18.00	16.21	10.96	D09S82C4GV00LF	D09S82C6GV00LF
15	39.14	33.32	26.32	24.54	19.18	D15S82C4GV00LF	D15S82C6GV00LF
25	53.03	47.04	40.04	38.25	33.12	D25S82C4GV00LF	D25S82C6GV00LF
37	69.32	63.50	56.50	54.71	49.68	D37S82C4GV00LF	D37S82C6GV00LF
						Gold flash	0.76 μ gold

GENERAL CHARACTERISTICS AND ROHS INFORMATIONS:

SEE DRAWING C01-8646-0001

mat'l. code		surface		tolerance		projection		product family	
-		ISO 1302 ✓		ISO 406 ISO 1101				D-SUB	
ltr		ecn no	dr	date		tolerances unless otherwise specified		title	
H		ELX-I-18050	MP	2014/06/23		angles linear .0±0.1 .00±0.1 .000±0.1			
						scale 2:1		dwg no sheet 1 of 1 s C01-8646-0391 A	
								type Product Customer Drawin	
sheet index		revision sheet		H					
		1							