

PART NAME: KNOB SCALE: 1:1 DATE: 12/4/07 DR. BY JAM

DAVIES MOLDING COMPANY
CAROL STREAM, ILLINOIS 60188

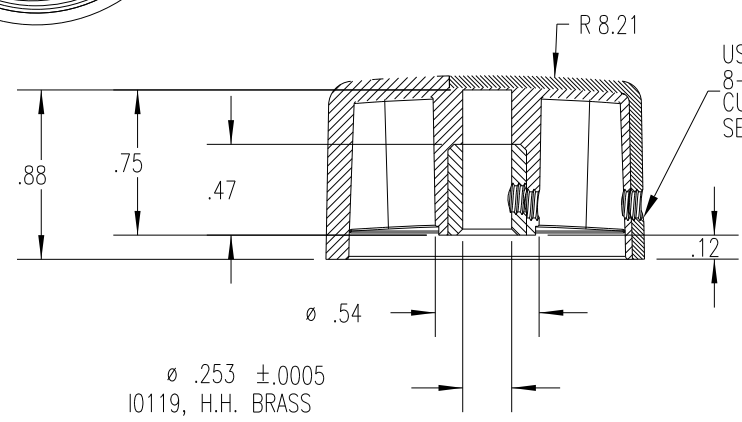
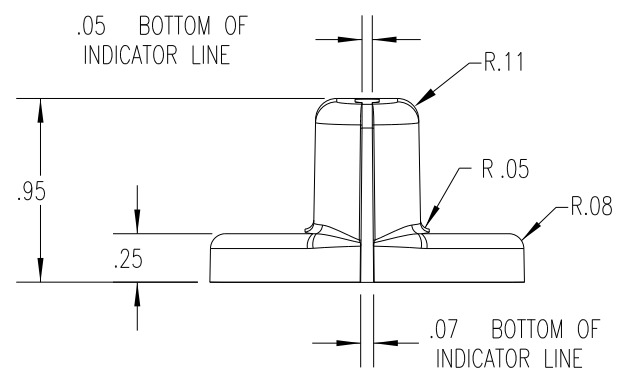
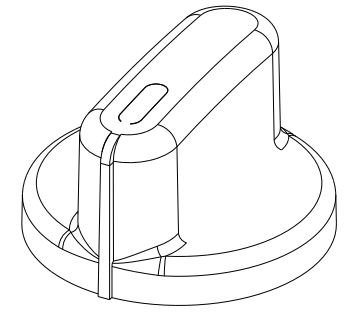
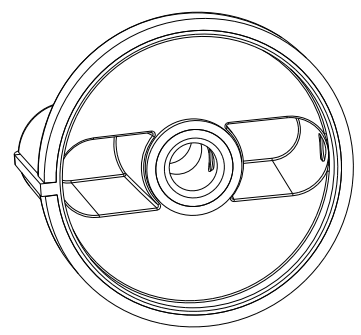
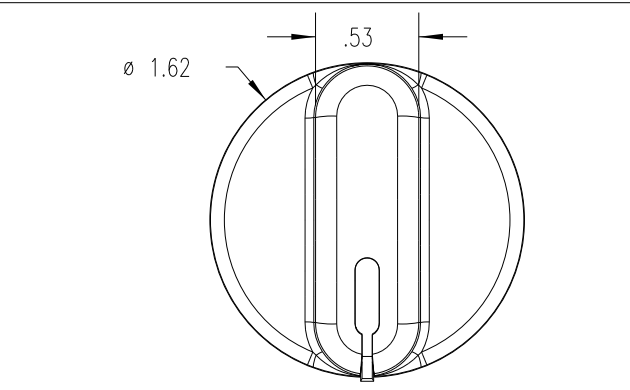
P/N 1506-B

THIS DRAWING IS THE PROPERTY OF DAVIES MOLDING COMPANY, IS SUBMITTED SOLELY AS A DESIGN OR ENGINEERING PROJECT.
WE ACCEPT NO RESPONSIBILITY WHATSOEVER FOR THE PRACTICAL APPLICATION OF THE PIECES MADE TO THIS DESIGN.

BASE PART 1506-01

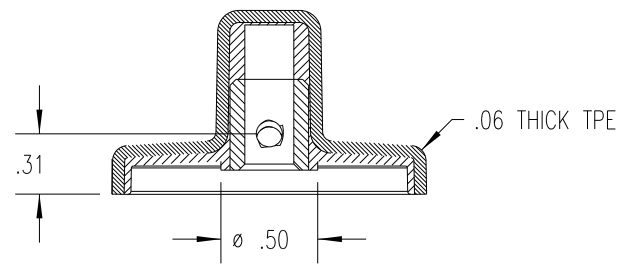
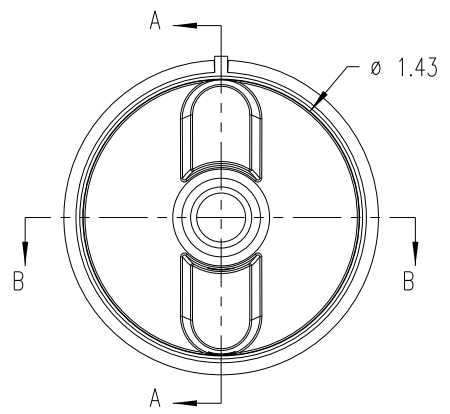
SET SCREW I1266

(A)
(C)



USE #28 DRILL (Ø .140)
8-32 TAP, 8-32 X 1/4
CUP POINT, SOCKET,
SET SCREW, I1266

SECTION A-A



SECTION B-B

SUBSTRATE MATERIAL: PC666G33L MAXAMID NYLON (CL5)
COLOR: WHITE (SWNYGFWH) (B)

OVERMOLD MATERIAL: RC666G33L MAXAMID NYLON (BD1)
COLOR: BLACK

| | | | | | |
|---|----------------------------------|---------|--------------------|-----|----------|
| TOLERANCES: UNLESS OTHERWISE SPECIFIED | DO NOT SCALE DRAWING | C | ADDED BASE PART | JAM | 4/16/13 |
| | | B | WAS NATURAL | JAM | 7/13/10 |
| DECIMALS: X.XXX ± .005 X.XX ± .015 | MM: X.XX ± 0.15MM X.X ± 0.4MM | A | MOLD # WAS 1506 | JAM | 12/14/09 |
| | | - | WAS SK1506-09 | JAM | 12/4/07 |
| FRACTIONS ± 1/64 | ANG. ± 1° | CHANGES | | | |