

74FR16245 16-Bit Transceiver with 3-STATE Outputs

General Description

The 'FR16245 contains sixteen non-inverting bidirectional buffers with 3-STATE outputs and is intended for bus-oriented applications. Current sinking capability is 64 mA on both the A and B ports. The device is byte controlled. Each byte has separate control inputs which can be shorted together for full 16-bit operation. The transmit/receive (T/R \bar{n}) inputs determine the direction of data flow through the transceiver. The output enable (\overline{OE}_n) inputs disable both A and B ports by placing them in an high impedance state.

- Bidirectional data paths
- A and B output sink capability of 64 mA, source capability of 15 mA
- Separate control pins for each byte
- Guaranteed 4000V minimum ESD protection
- Guaranteed pin to pin skew
- Low 3-STATE I_{IL}
- 16-Bit version of the 'F245 or 'F645

Features

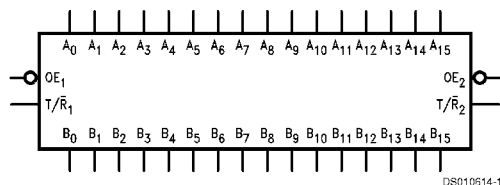
- Non-inverting buffers

Ordering Code:

Commercial	Package Number	Package Description
74FR16245QC	V44A	44-Lead Molded Plastic Leaded Chip Carrier (PLCC)
74FR16245SSC (Note 1)	MS48A	48-Lead (0.300" Wide) Molded Shrink Small Outline, JEDEC (SSOP)

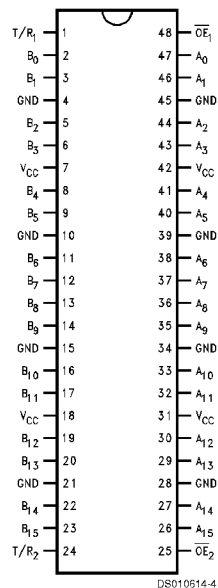
Note 1: Devices also available in 13" reel. Use suffix = SSCX.

Logic Symbol



Connection Diagrams

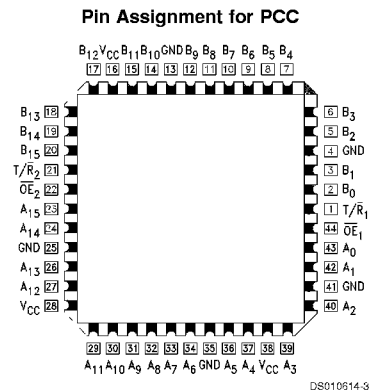
Pin Assignment for SSOP



Connection Diagrams (Continued)

Pin Descriptions

Pin Names	Description
\overline{OE}_n	Output Enable Input
T/\overline{R}_n	Transmit/Receive Input
A_0 – A_{15}	A Bus Inputs/ 3-STATE Outputs
B_0 – B_{15}	B Bus Inputs/ 3-STATE Outputs

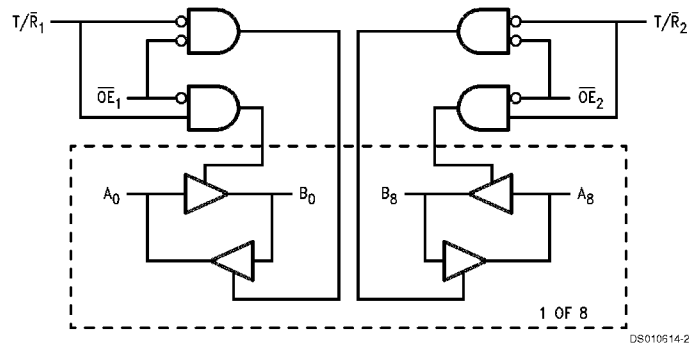


Truth Table

Inputs				Output Operating Mode	
Byte1 (0:7)		Byte2 (8:15)		Byte1 (0:7)	Byte2 (8:15)
\overline{OE}_1	T/\overline{R}_1	\overline{OE}_2	T/\overline{R}_2		
L	L	H	X	Bus B Data to A	High Z State
L	H	H	X	Bus A Data to B	High Z State
H	X	L	L	High Z State	Bus B Data to A
H	X	L	H	High Z State	Bus A Data to B
L	L	L	L	Bus B Data to A	Bus B Data to A
L	H	L	H	Bus A Data to B	Bus A Data to B
H	X	H	X	High Z State	High Z State

H = High Voltage Level
 L = Low Voltage Level
 X = Immaterial

Logic Diagram



Absolute Maximum Ratings (Note 2)

Storage Temperature	-65°C to +150°C
Ambient Temperature under Bias	-55°C to +125°C
Junction Temperature under Bias	-55°C to +175°C
Plastic	-55°C to +150°C
V _{CC} Pin Potential to Ground Pin	-0.5V to +7.0V
Input Voltage (Note 3)	-0.5V to +7.0V
Input Current (Note 3)	-30 mA to +5.0 mA
Voltage Applied to Output in HIGH State (with V _{CC} = 0V)	
Standard Output	-0.5V to V _{CC}
3-STATE Output	-0.5V to +5.5V

Current Applied to Output
in LOW State (Max) Twice the Rated I_{OL} (mA)
ESD Last Passing Voltage (Min) 4000V

Recommended Operating Conditions

Free Air Ambient Temperature
Commercial 0°C to +70°C
Supply Voltage
Commercial +4.5V to +5.5V

Note 2: Absolute maximum ratings are values beyond which the device may be damaged or have its useful life impaired. Functional operation under these conditions is not implied.

Note 3: Either voltage limit or current limit is sufficient to protect inputs.

DC Electrical Characteristics

Symbol	Parameter	74FR			Units	V _{CC}	Conditions
		Min	Typ	Max			
V _{IH}	Input HIGH Voltage	2.0			V		Recognized as a HIGH Signal
V _{IL}	Input LOW Voltage			0.8	V		Recognized as a LOW Signal
V _{CD}	Input Clamp Diode Voltage			-1.2	V	Min	I _{IN} = -18 mA
V _{OH}	Output HIGH Voltage	2.4 2.0	2.8 2.44		V	Min	I _{OH} = -3 mA I _{OH} = -15 mA (A _n , B _n)
V _{OL}	Output LOW Voltage		0.45	0.55	V	Min	I _{OL} = 64 mA (A _n , B _n)
I _{IH}	Input HIGH Current			5.0	μA	Max	V _{IN} = 2.7V
I _{BVI}	Input HIGH Current Break-Down Test			7.0	μA	Max	V _{IN} = 7.0V (\overline{OE}_n , T/ \overline{R}_n)
I _{BVIT}	Input HIGH Current Breakdown Test (I/O)			0.1	mA	Max	V _{IN} = 5.5V (A _n , B _n)
I _{IL}	Input LOW Current			-150 -100	μA μA	Max Max	V _{IN} = 0.5V (T/ \overline{R}_n , A _n , B _n) V _{IN} = 0.5V (\overline{OE}_n)
I _{OS}	Output Short-Circuit Current	-100		-225	mA	Max	V _{OUT} = 0V (A _n , B _n)
I _{IH} + I _{OZH}	Output Leakage Current		0	25	μA	Max	V _{OUT} = 2.7V (A _n , B _n)
I _{IL} + I _{OZL}	Output Leakage Current		-20	-150	μA	Max	V _{OUT} = 0.5V (A _n , B _n)
I _{CEX}	Output High Leakage Current			50	μA	Max	V _{OUT} = V _{CC} (A _n , B _n)
V _{ID}	Input Leakage Test	4.75			V	0.0	I _{ID} = 1.9 μA All Other Pins Grounded
I _{OD}	Output Circuit Leakage Current			3.75	μA	0.0	V _{IOD} = 150 mV All Other Pins Grounded

DC Electrical Characteristics (Continued)

Symbol	Parameter	74FR			Units	V _{CC}	Conditions
		Min	Typ	Max			
I _{ZZ}	Bus Drainage Test			100	μA	0.0	V _{OUT} = 5.25V (A _n , B _n)
I _{CCH}	Power Supply Current		70	105	mA	Max	V _O = HIGH
I _{CCL}	Power Supply Current		127	165	mA	Max	V _O = LOW
I _{CCZ}	Power Supply Current		71	105	mA	Max	V _O = HIGH Z
C _{IN}	Input Capacitance		8.0		pF	5.0	\overline{OE} , T/ \overline{R}
			17.0		pF	5.0	A _n , B _n

AC Electrical Characteristics

Symbol	Parameter	74FR			74FR		Unit
		T _A = +25°C V _{CC} = +5.0V C _L = 50 pF			T _A , V _{CC} = Comm V _{CC} = Comm C _L = 50 pF		
		Min	Typ	Max	Min	Max	
t _{PLH}	Propagation Delay	1.3	2.7	4.3	1.3	4.3	ns
t _{PHL}	A _n to B _n or B _n to A _n	1.3	2.2	4.3	1.3	4.3	
t _{PZH}	Output Enable Time	3.9	6.9	13.9	3.9	13.9	ns
t _{PZL}		3.9	9.7	13.9	3.9	13.9	
t _{PHZ}	Output Disable Time	1.8	3.9	6.3	1.8	6.3	ns
t _{PLZ}		1.8	4.4	6.3	1.8	6.3	

Extended AC Characteristics

Symbol	Parameter	74FR		74FR		Unit
		T _A = Comm V _{CC} = Comm C _L = 50 pF 16 Outputs Switching (Note 5)		T _A = Comm V _{CC} = Comm C _L = 250 pF (Note 6)		
		Min	Max	Min	Max	
t _{PLH}	Propagation Delay	1.3	5.8	3.2	8.2	ns
t _{PHL}	A _n to B _n or B _n to A _n	1.3	5.8	3.2	8.2	
t _{PZH}	Output Enable Time	3.9	14.6			ns
t _{PZL}		3.9	14.6			
t _{PHZ}	Output Disable Time	1.8	6.3			ns
t _{PLZ}		1.8	6.3			
t _{OSHL} (Note 4)	Pin to Pin Skew for HL Transitions		1.2			ns
t _{OSLH} (Note 4)	Pin to Pin Skew for LH Transitions		2.2			ns
t _{OST} (Note 4)	Pin to Pin Skew for HL/LH Transitions		2.5			ns

Extended AC Characteristics (Continued)

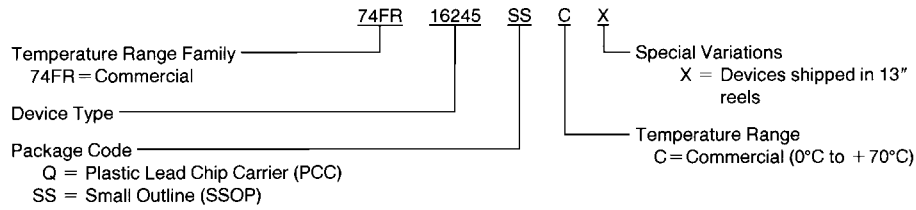
Note 4: Skew is defined as the absolute value of the difference between the actual propagation delays for any two outputs of the same device. The specification applies to any outputs switching HIGH to LOW (t_{OHL}) LOW to HIGH (t_{OLH}), or HIGH to LOW and/or LOW to HIGH ($t_{O\Delta T}$). Specifications guaranteed with all outputs switching in phase.

Note 5: This specification is guaranteed but not tested. The limits apply to propagation delays for all paths described switching in phase, i.e., all LOW-to-HIGH, HIGH-to-LOW, 3-STATE-to-HIGH, etc.

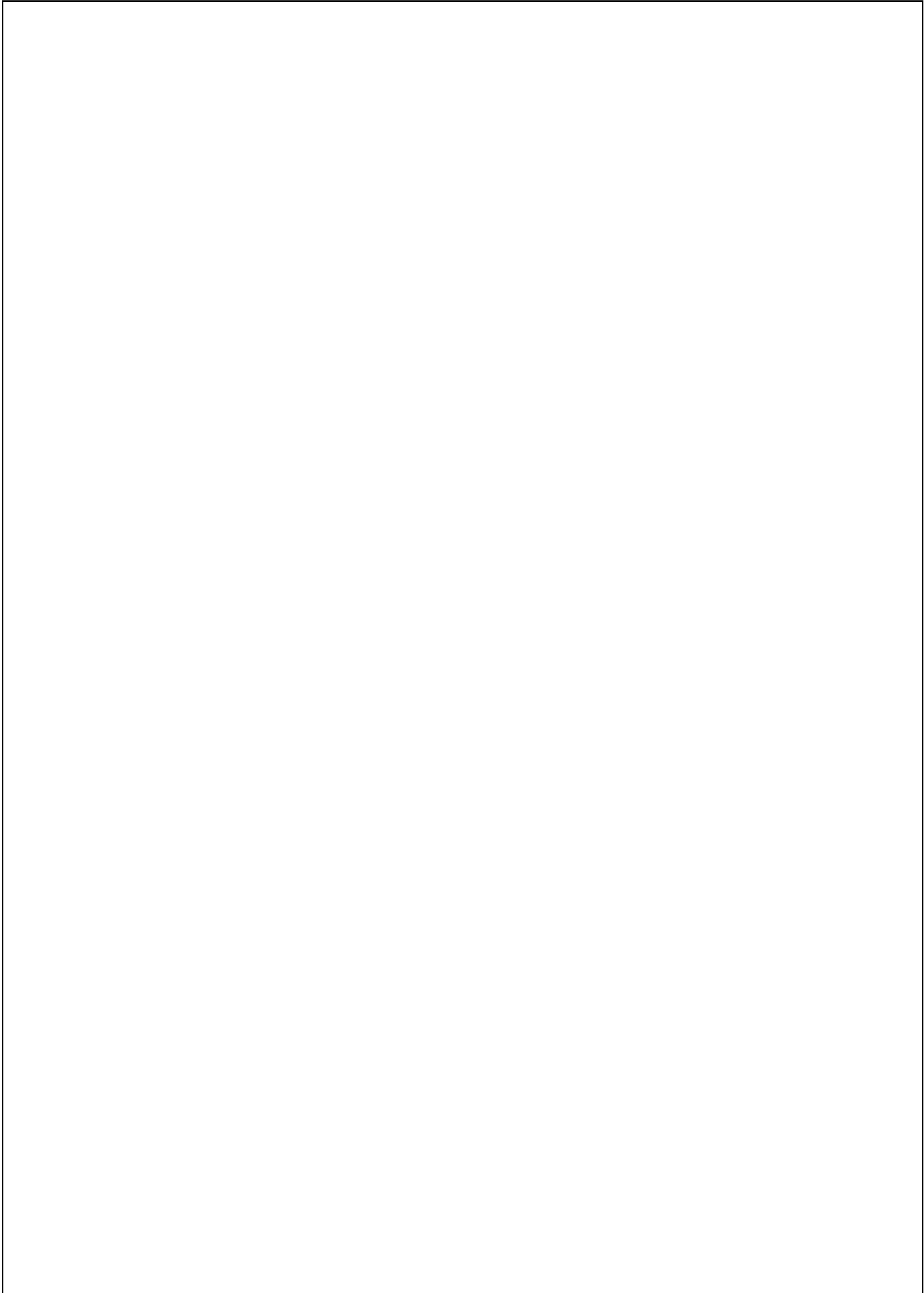
Note 6: These specifications guaranteed but not tested. The limits represent propagation delays with 250 pF load capacitors in place of the 50 pF load capacitors in the standard AC load. This specification pertains to single output switching only.

Ordering Information

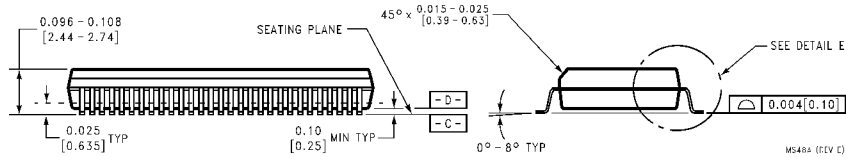
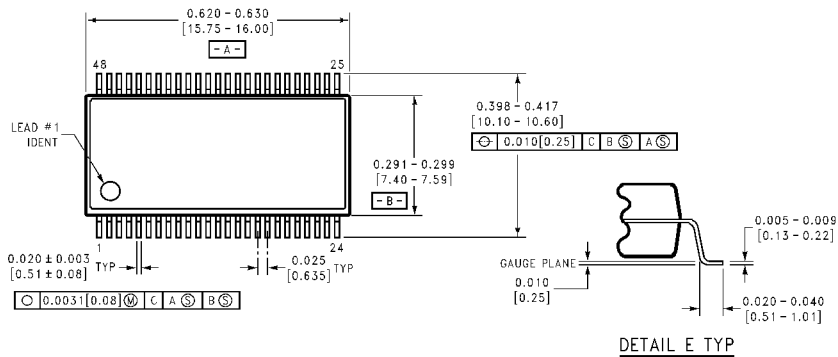
The device number is used to form part of a simplified purchasing code where the package type and temperature range are defined as follows:



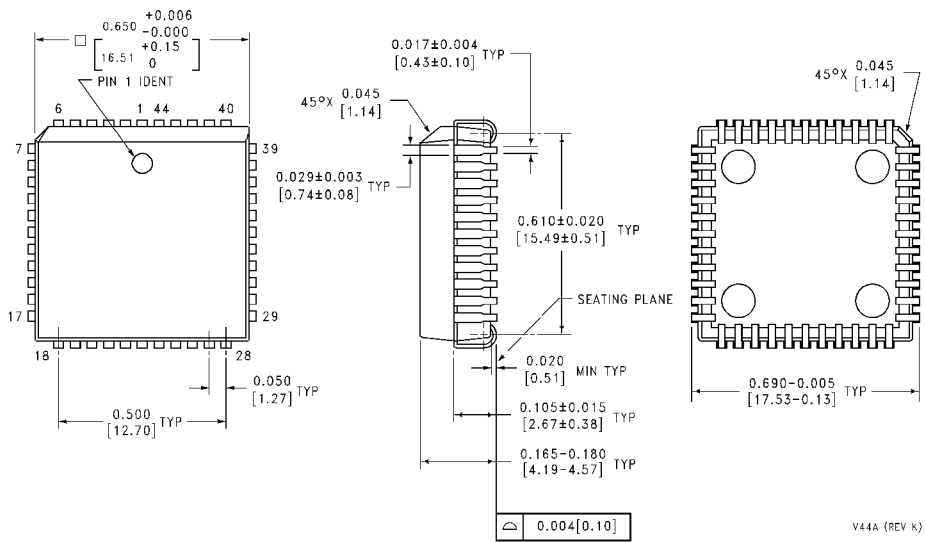
DS010614-5



Physical Dimensions inches (millimeters) unless otherwise noted



**48-Lead (0.300" Wide) Molded Shrink Small Outline Package, JEDEC (SS)
Package Number MS48A**



**44-Lead Molded Plastic Leaded Chip Carrier (Q)
Package Number V44A**

LIFE SUPPORT POLICY

FAIRCHILD'S PRODUCTS ARE NOT AUTHORIZED FOR USE AS CRITICAL COMPONENTS IN LIFE SUPPORT DEVICES OR SYSTEMS WITHOUT THE EXPRESS WRITTEN APPROVAL OF THE PRESIDENT OF FAIRCHILD SEMICONDUCTOR CORPORATION. As used herein:

1. Life support devices or systems are devices or systems which, (a) are intended for surgical implant into the body, or (b) support or sustain life, and (c) whose failure to perform when properly used in accordance with instructions for use provided in the labeling, can be reasonably expected to result in a significant injury to the user.
2. A critical component in any component of a life support device or system whose failure to perform can be reasonably expected to cause the failure of the life support device or system, or to affect its safety or effectiveness.

Fairchild Semiconductor Corporation Americas
Customer Response Center
Tel: 1-888-522-5372

www.fairchildsemi.com

Fairchild Semiconductor Europe
Fax: +49 (0) 1 80-530 85 86
Email: europa.support@nsc.com
Deutsch Tel: +49 (0) 8 141-35-0
English Tel: +44 (0) 1 793-85-68-56
Italy Tel: +39 (0) 2 57 5631

Fairchild Semiconductor Hong Kong Ltd.
13th Floor, Straight Block,
Ocean Centre, 5 Canton Rd.
Tsimshatsui, Kowloon
Hong Kong
Tel: +852 2737-7200
Fax: +852 2314-0061

National Semiconductor Japan Ltd.
Tel: 81-3-5620-6175
Fax: 81-3-5620-6179