

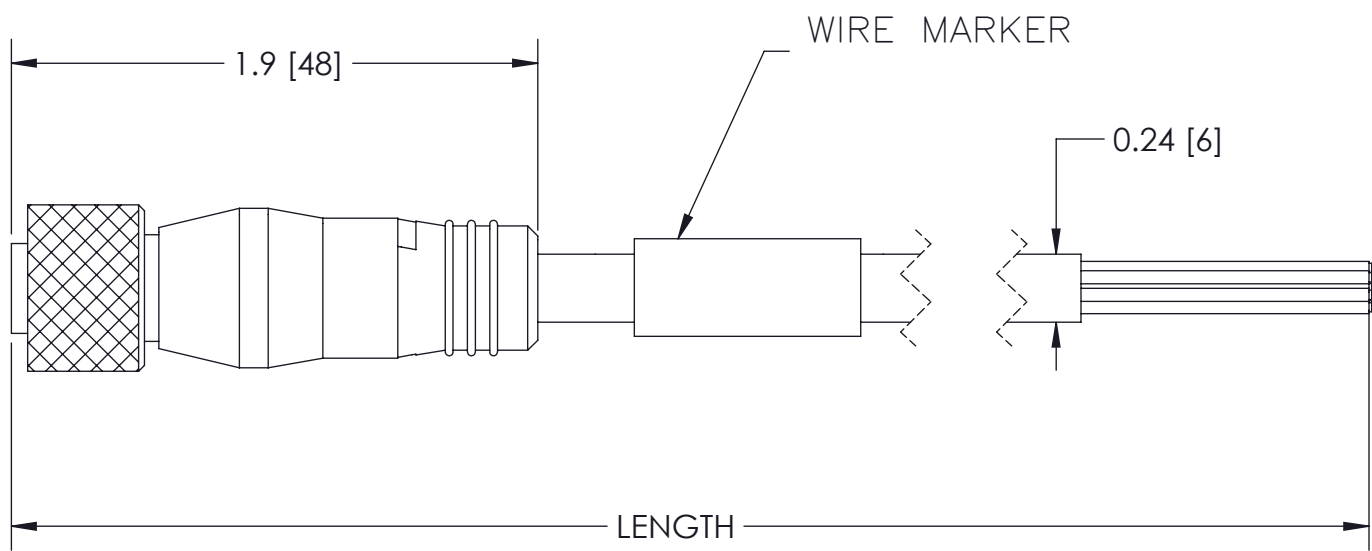
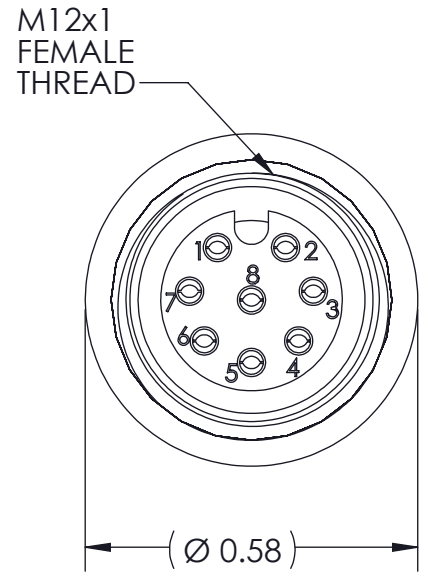
4

3

2

1


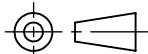
ZONE	REV.	REVISION DESCRIPTION	ECN NO.	DATE



PIN NO.	COLOR
1	WHITE
3	GREEN
4	YELLOW
5	GRAY
6	PINK
8	RED
2	BROWN
7	BLUE
SHIELD	BARE

PART NO.	LENGTH
31320-K81M	1 METER
31320-K85M	5 METER
31320-K86M	6 METER
31320-K810M	10 METER

NOTES:
 1. CABLE: 8 CONDUCTORS, 24 AWG, OVERALL SHIELD W/DRAIN WIRE, YELLOW POLYURETHANE JACKET
 CONTACTS: GOLD PLATED COPPER ALLOY
 SHELL: NICKEL PLATED BRASS
 2. INTENDED FOR DIFFERENTIAL LINE DRIVER OUTPUT ENCODERS
 3. RoHS 1,2 AND 3 COMPLIANT

UNCONTROLLED COPY		 BEI SENSORS 1461 LAWRENCE DRIVE THOUSAND OAKS, CA 93120	
FIRST ISSUE DATE: 06/25/19 DRAWN: DRC APPROVED: MFB DATE: 06/25/19	SENSATA TECHNOLOGIES PROPRIETARY AND CONFIDENTIAL. NEITHER THIS PRINT NOR THE INFORMATION CONTAINED HEREON IS TO BE USED AGAINST THE INTERESTS OF SENSATA TECHNOLOGIES OR AGAINST THE INTERESTS OF ANY OF ITS AFFILIATED COMPANIES OR WHOLLY OWNED SUBSIDIARIES.		TITLE K8 CONNECTOR AND CABLE ASSEMBLY
ECN: DATE: MATERIAL:	INTERPRET DIMENSIONING AND TOLERANCING PER ASME Y14.5-2009. UNLESS OTHERWISE SPECIFIED DIMENSIONS ARE IN INCHES[MILLIMETERS] AND ARE INTENDED AS NOMINAL SEE PRODUCT SPECIFICATIONS FOR MORE DETAILS.		SIZE B
DO NOT SCALE DRAWING	THIRD ANGLE PROJECTION		DWG NO. 09926-001
SCALE 1:1		SOLIDWORKS	SHEET 1 OF 1

4

3

2

1

DEVICE:

PROJECT: