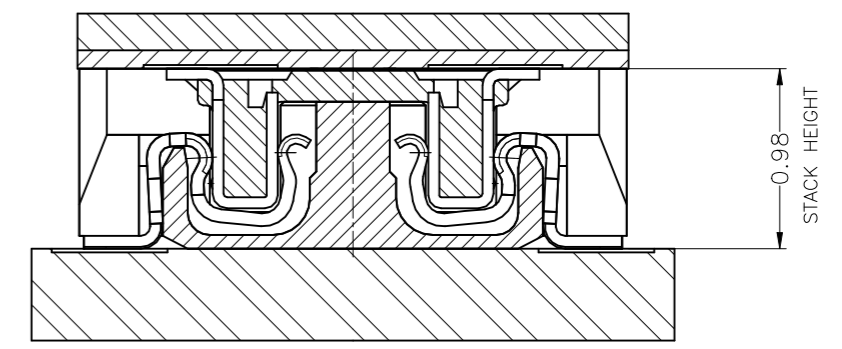
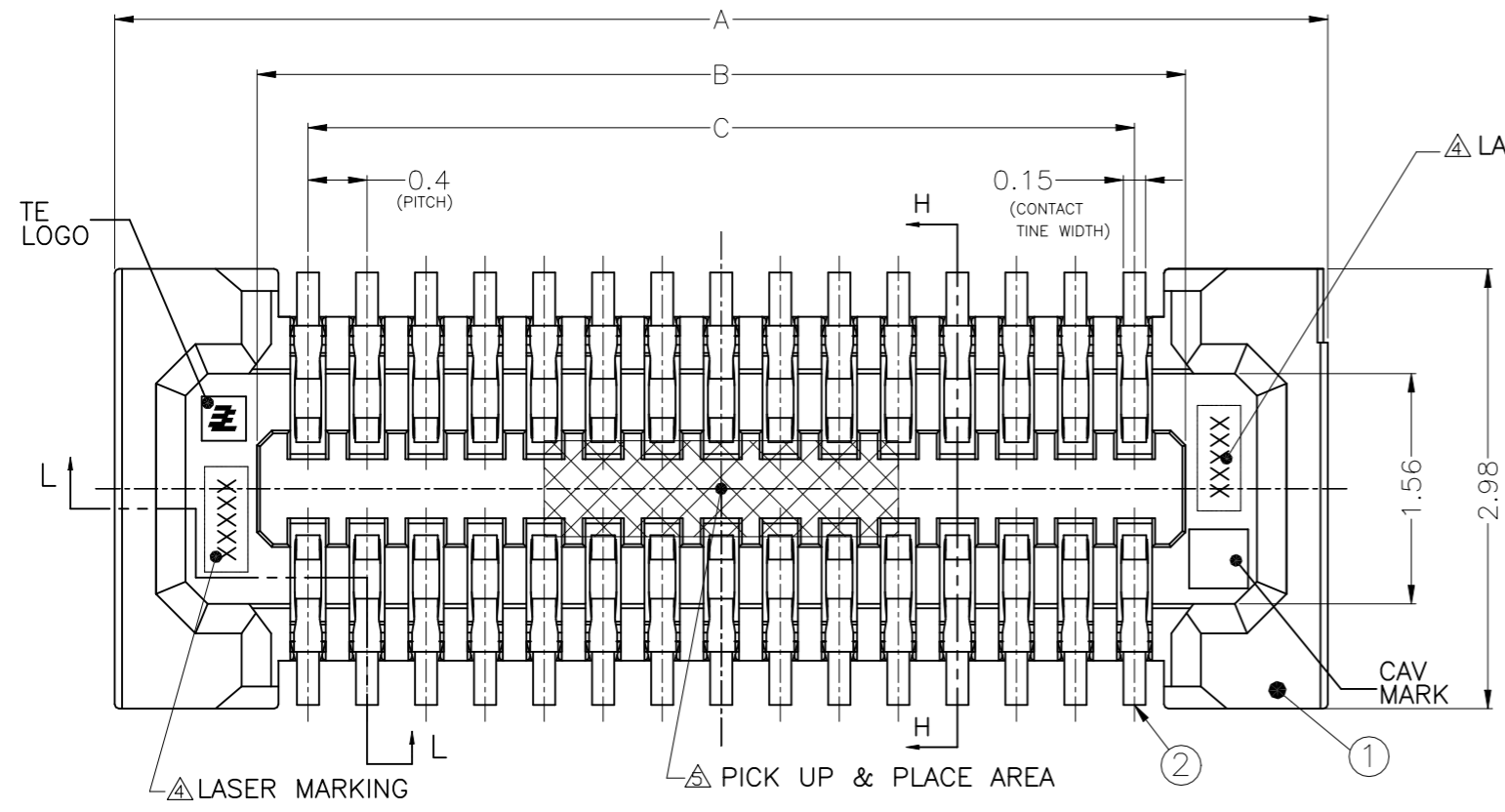
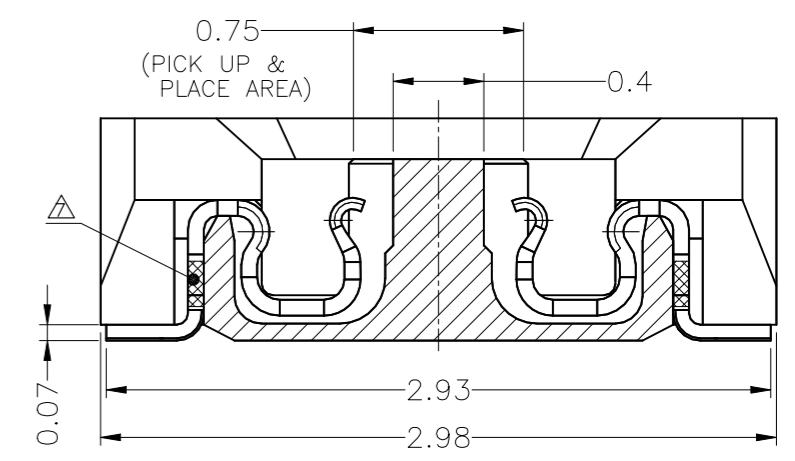


© - TE Connectivity. All Rights Reserved.

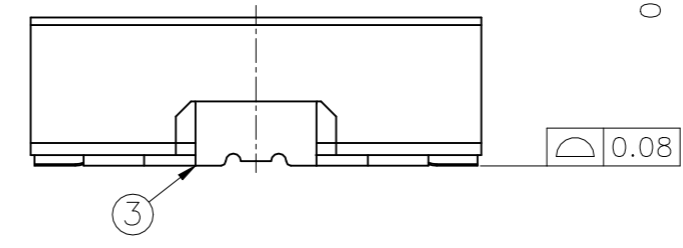
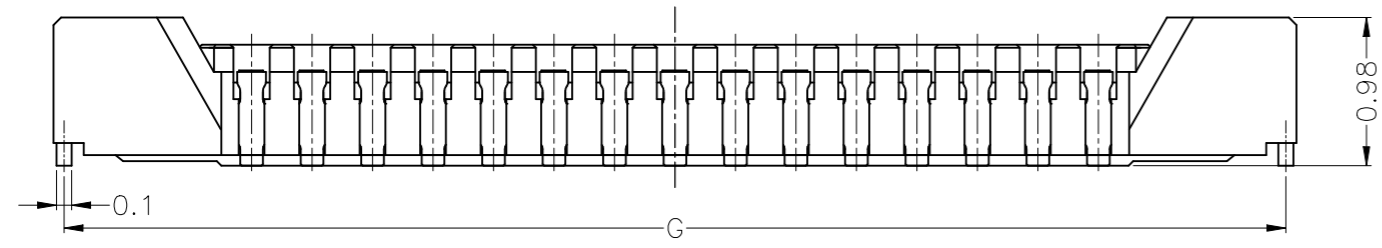
REVISIONS					
P	LTR	DESCRIPTION	DATE	DWN	APVD
	A1	REVISED	15DEC2021	N.U	K.K



MATING CROSS SECTION (30:1)



H-H (30:1)



Ni UNDER PL.; 0.65um Sn PL.; 2~5um	COPPER ALLOY	REC PEG	3
Ni UNDER PL.; 0.65um Au PL.(CONTACT AREA); 0.1um MIN. Au PL.(TINE AREA); 0.05um MIN.	COPPER ALLOY	REC CONTACT	2
	LCP,UL94V-0,BLACK	REC HOUSING	1
		NAME	ITEM NO.

THIS DRAWING IS A CONTROLLED DOCUMENT.

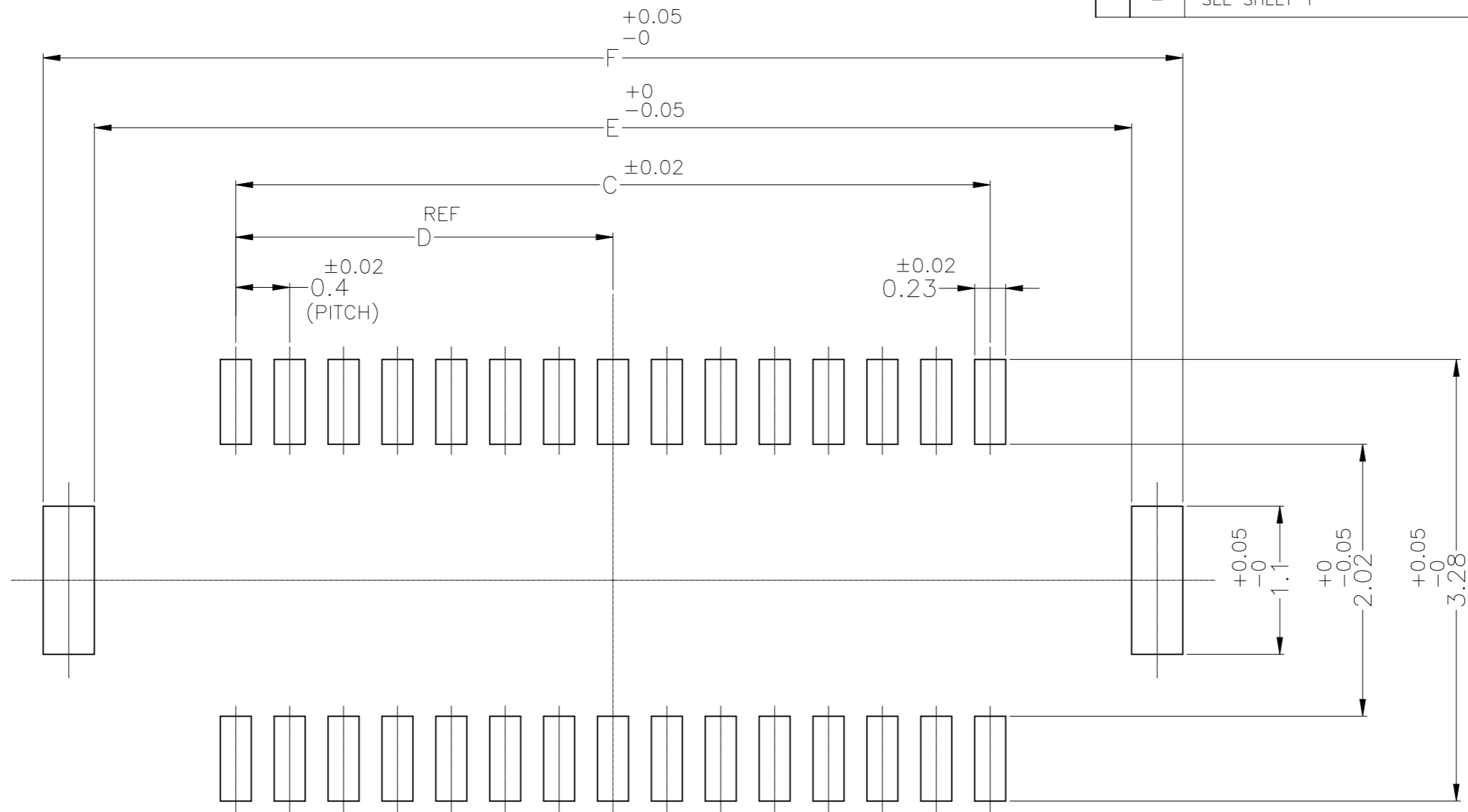
DIMENSIONS:	TOLERANCES UNLESS OTHERWISE SPECIFIED:
mm	
	0 PLC ± 0.1
	1 PLC ± 0.1
	2 PLC ± 0.1
	3 PLC ± 0.1
	4 PLC ± 0.1
	ANGLES ± 3°
MATERIAL	FINISH

DWN	C.HIKAGE	02AUG2012
CHK	A.KUBO	02AUG2012
APVD	T.KUSUHARA	02AUG2012
PRODUCT SPEC	108-78916	
APPLICATION SPEC	411-78379	
WEIGHT	CUSTOMER DRAWING	

**STE** TE Connectivity Ltd.

NAME				0.4mm PITCH STACKING CONNECTOR RECEPTACLE ASSEMBLY 0.98mm HEIGHT			
SIZE	CAGE CODE	DRAWING NO	RESTRICTED TO				
A3	00779	C-2201197	-				
SCALE		SHEET	REV				
20:1		1 OF 3	A1				

REVISIONS					
P	LTR	DESCRIPTION	DATE	DWN	APVD
-	-	SEE SHEET 1	-	-	-



△ REFERENCE PCB LAYOUT  
(VIEWED FROM MOUNTING SIDE)

NOTE

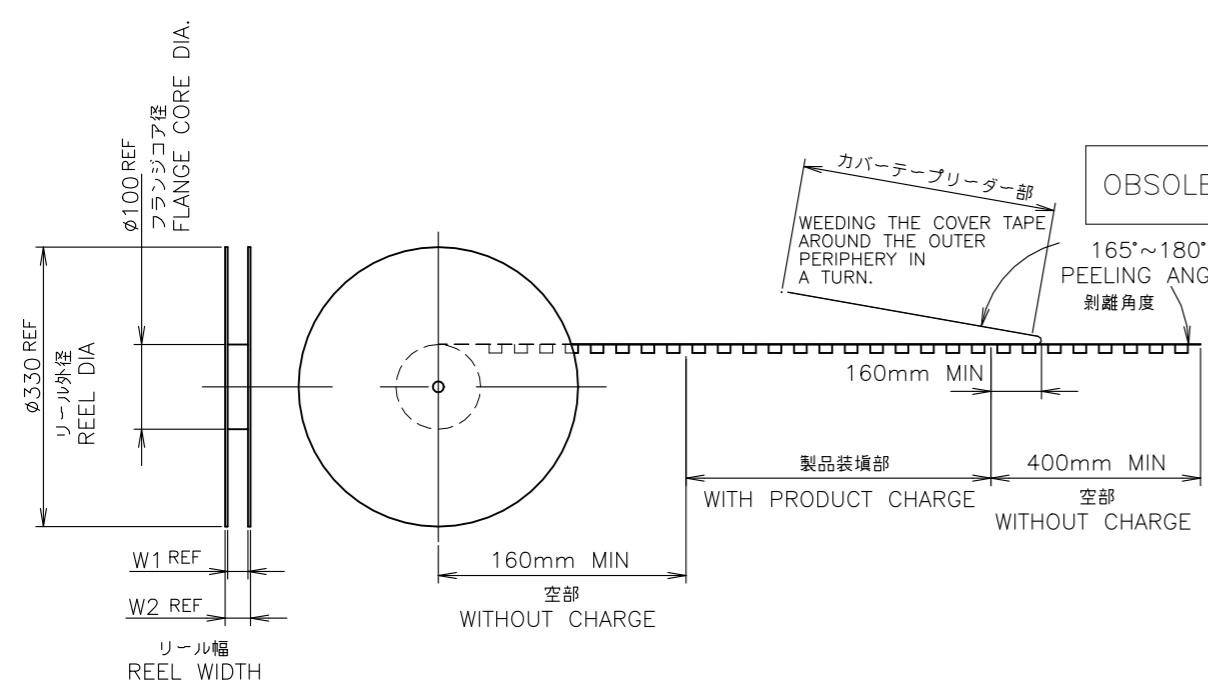
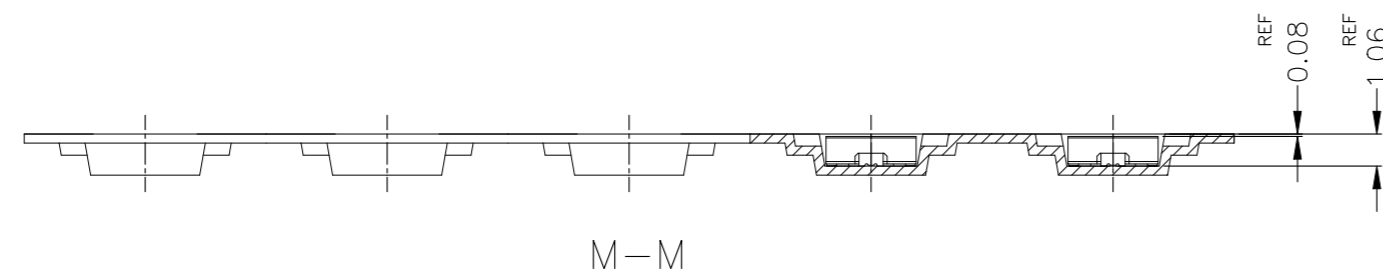
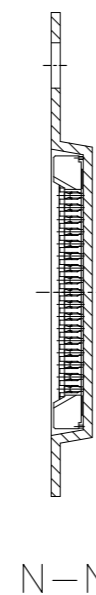
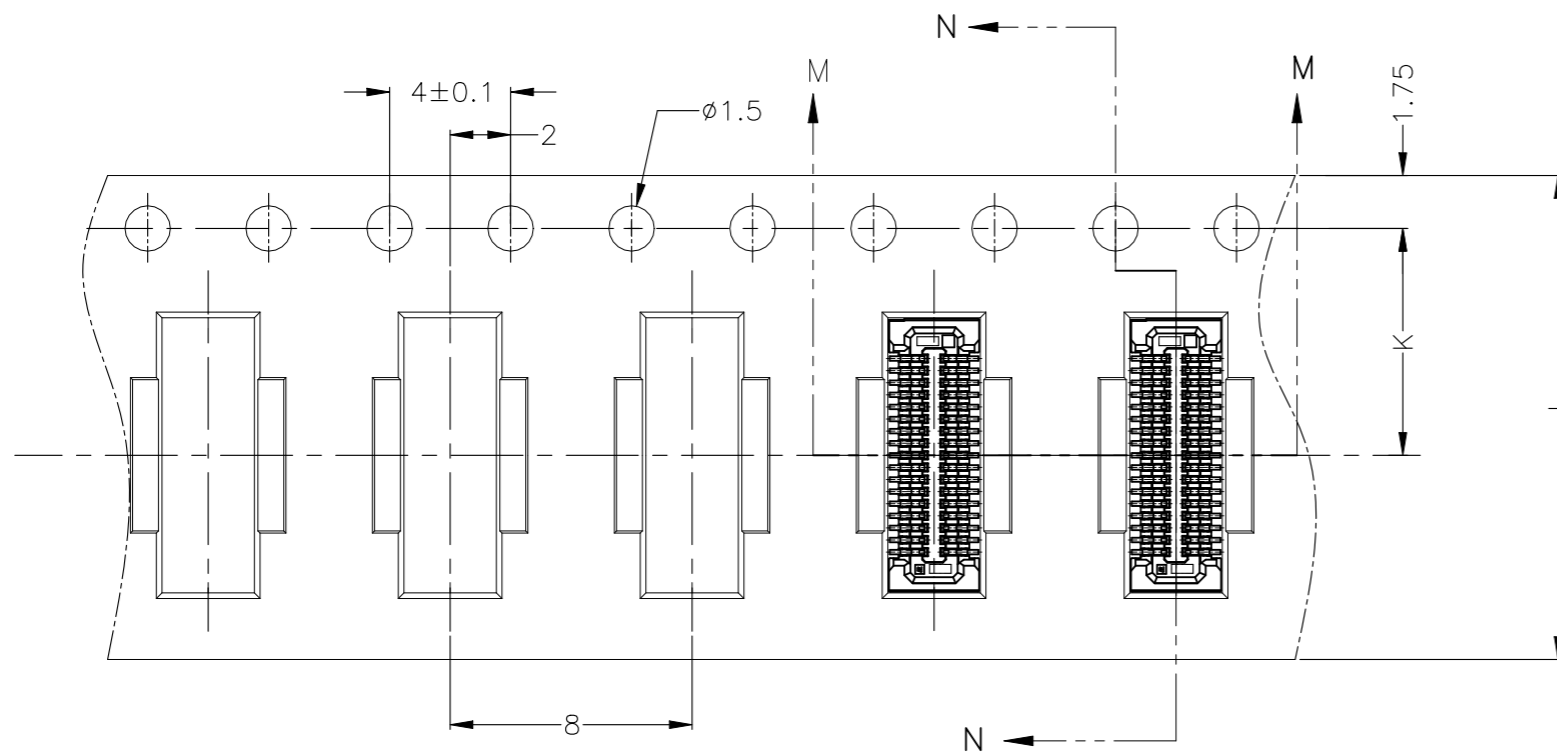
- 1. MATERIAL REFER TO THE TABLE.
- 2. FINISH REFER TO THE TABLE.
- 3. MATING CONNECTOR : P/N: \*-2201196-\*
- 4. LASER MARKING: ~~XXXXX~~  
DATE CODE MACHINE CODE  
(YWW)
- 5. PICK UP THE CONNECTOR AT CENTER
- 6. RECOMMENDED METAL MASK; THICKNESS 0.1mm
- 7. Ni DAM AREA

THIS DRAWING IS A CONTROLLED DOCUMENT.		DWN	TE Connectivity Ltd.			
DIMENSIONS: mm		CHK				
TOLERANCES UNLESS OTHERWISE SPECIFIED:		APVD	NAME			
0 PLC ± 0.1 1 PLC ± 0.1 2 PLC ± 0.1 3 PLC ± 0.1 4 PLC ± 0.1 ANGLES ± 3°		PRODUCT SPEC	0.4mm PITCH STACKING CONNECTOR RECEPTACLE ASSEMBLY 0.98mm HEIGHT			
MATERIAL		APPLICATION SPEC	SIZE	CAGE CODE	DRAWING NO	RESTRICTED TO
FINISH		WEIGHT	A3	00779	C-2201197	
CUSTOMER DRAWING			SCALE	SHEET	REV	
			NTS	2 OF 3	A1	

REVISIONS

P	LTR	DESCRIPTION	DATE	DWN	APVD
-	-	SEE SHEET 1	-	-	-

UNREELING DIRECTION →



OBSOLETE

814.5	22.1	17.5	7.5	16	8.08	8.46	7.7	2.8	5.6	6.29	8.22
797.5	22.1	17.5	7.5	16	6.88	7.26	6.5	2.2	4.4	5.09	7.02
757.0	18.1	13.5	5.5	12	4.08	4.46	3.7	0.8	1.6	2.29	4.22
REEL WEIGHT(g)	W2	W1	K	J	G	F	E	D	C	B	A

5000	30	3-2201197-0
	24	2-2201197-4
	10	1-2201197-0
QTY/REEL	Pos.	PART NUMBER

THIS DRAWING IS A CONTROLLED DOCUMENT.

DIMENSIONS: mm	TOLERANCES UNLESS OTHERWISE SPECIFIED: 0 PLC ± 0.1 1 PLC ± 0.1 2 PLC ± 0.1 3 PLC ± 0.1 4 PLC ± 0.1 ANGLES ± 3° FINISH
MATERIAL	

DWN
CHK
APVD
PRODUCT SPEC
APPLICATION SPEC
WEIGHT

**STE** TE Connectivity Ltd.

0.4mm PITCH STACKING CONNECTOR RECEPTACLE ASSEMBLY 0.98mm HEIGHT

SIZE	CAGE CODE	DRAWING NO	RESTRICTED TO
A3	00779	C-2201197	

CUSTOMER DRAWING SCALE NTS SHEET 3 OF 3 REV A1