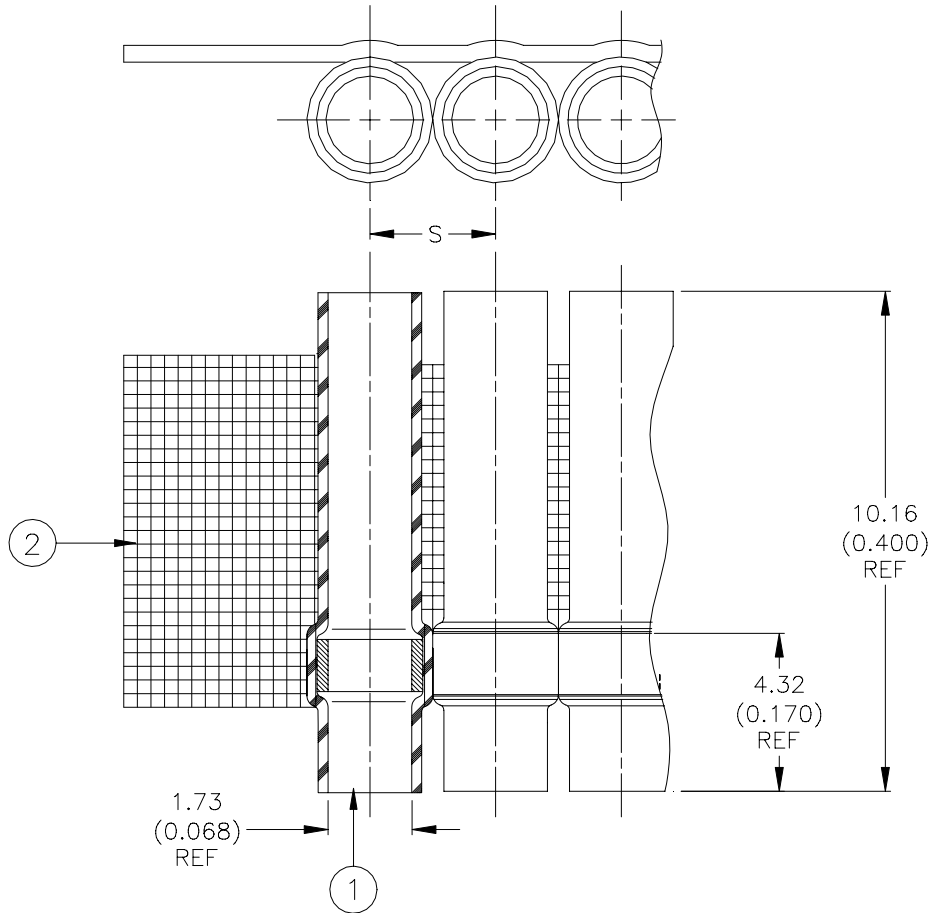


## SPECIFICATION CONTROL DRAWING



Product Name	Product Revision	S +0.51/-0.00 (S +0.020/-0.000) (center spacing dimension)	Quantity Per Assembly
D-704-0019	C	2.54 (0.100)	750
D-704-0024	C	3.81 (0.150)	500

### MATERIALS

1. SOLDER SLEEVE WIRE TERMINATOR: D-128-0014, Quantity Per Assembly: see table.
2. CARRIER STRIP: Adhesive Coated High Temperature Tape

### APPLICATION

1. This assembly is designed to be used with a Raychem AS-4000 Wire Organization System on connectors with terminals on "S" (see table) center spacing. For usage parameters, see Raychem Devices Specification Control Drawing D-128-0014.
2. Wire terminators are to be inspected to Raychem Devices Specification Control Drawing D-128-0014.

<b>tyco / Electronics / Raychem</b> 307 Constitution Drive Menlo Park, CA 94025, USA		<b>Wire and Harnessing Products</b>		TITLE: <b>2.54 (0.100), 3.81 (0.150) Centers SOLDER PAK ASSEMBLY FOR AS-4000 SLEEVE: D-128-0014</b>			
Unless otherwise specified dimensions are in millimeters. Inches dimensions are in between brackets.				DOCUMENT NO.: <b>D-704-0019/D-704-0024</b>			
TOLERANCES: 0.00 N/A 0.0 N/A 0 N/A	ANGLES: N/A  ROUGHNESS IN MICRON	Tyco Electronics reserves the right to amend this drawing at any time. Users should evaluate the suitability of the product for their application.		DCR NUMBER: D010012		REPLACES: N/A	
DRAWN BY: M. FORONDA	DATE: 08-Feb.-01	PROD. REV. SEE TABLE	DOC ISSUE: 1	SCALE: None	SIZE: A	SHEET: 1 of 1	

If this document is printed it becomes uncontrolled. Check for the latest revision.