

NOTES:

1. MATERIALS AND FINISHES:

BODY - BRASS, NICKEL PLATING  
 CONTACT - PHOSPHOR BRONZE, GOLD PLATING  
 INSULATOR - PTFE, NATURAL

2. ELECTRICAL:

A. IMPEDANCE: 75 OHM  
 B. FREQUENCY RANGE: DC-12.0 GHz  
 C. VSWR: 1.04 MAX. (DC-6.0 GHz)  
 1.11 MAX. (6.0-12.0 GHz)  
 D. D.W.V: 1500 VRMS, MIN.

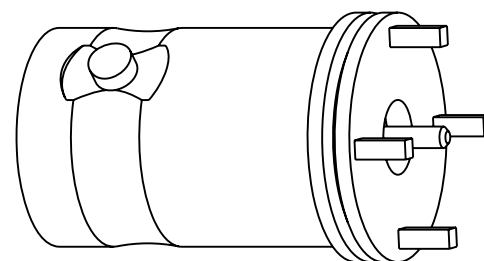
3. MECHANICAL:

A. DURABILITY: 500 CYCLES MIN.  
 B. TEMPERATURE RANGE: -65°C TO +165°C

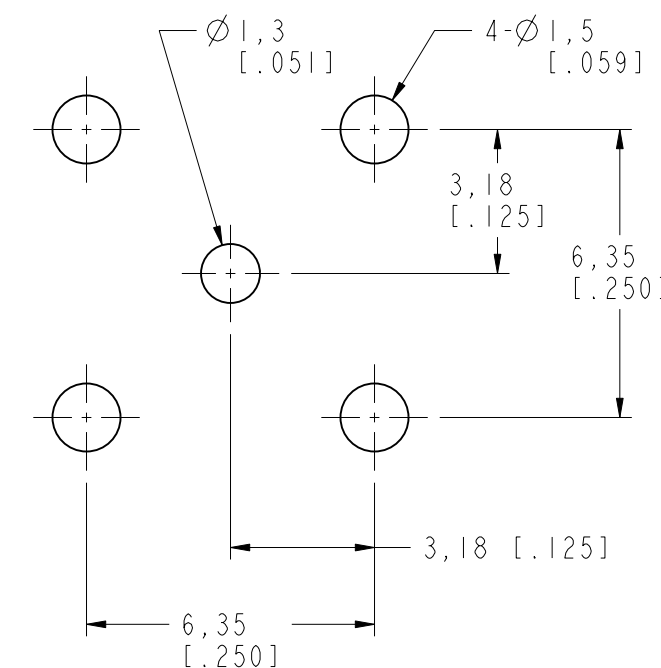
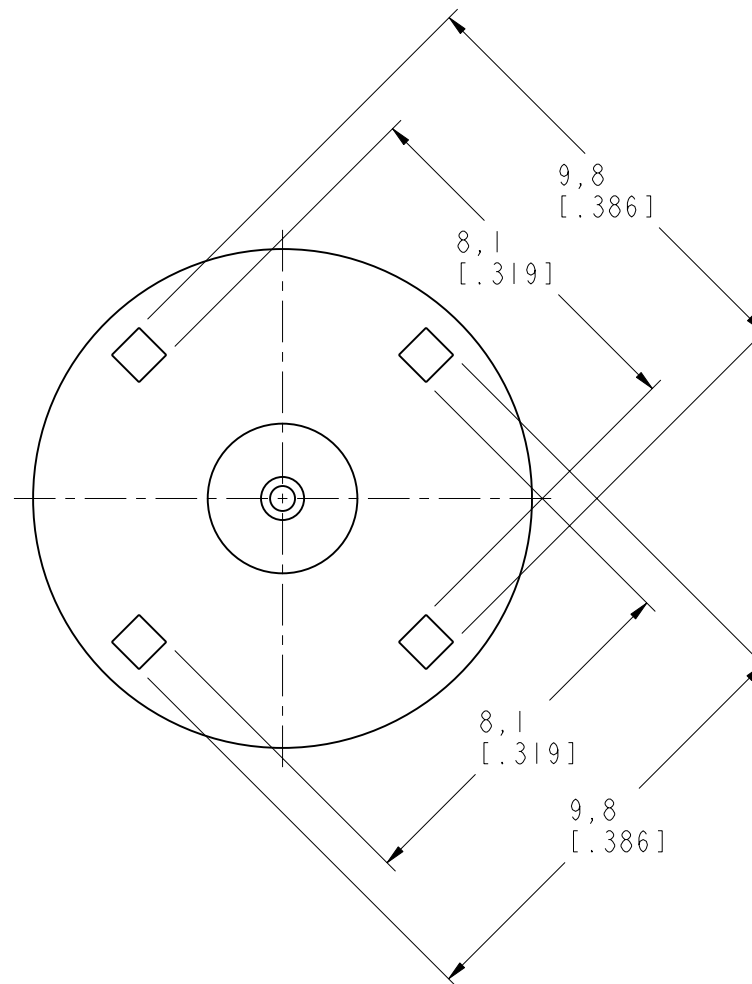
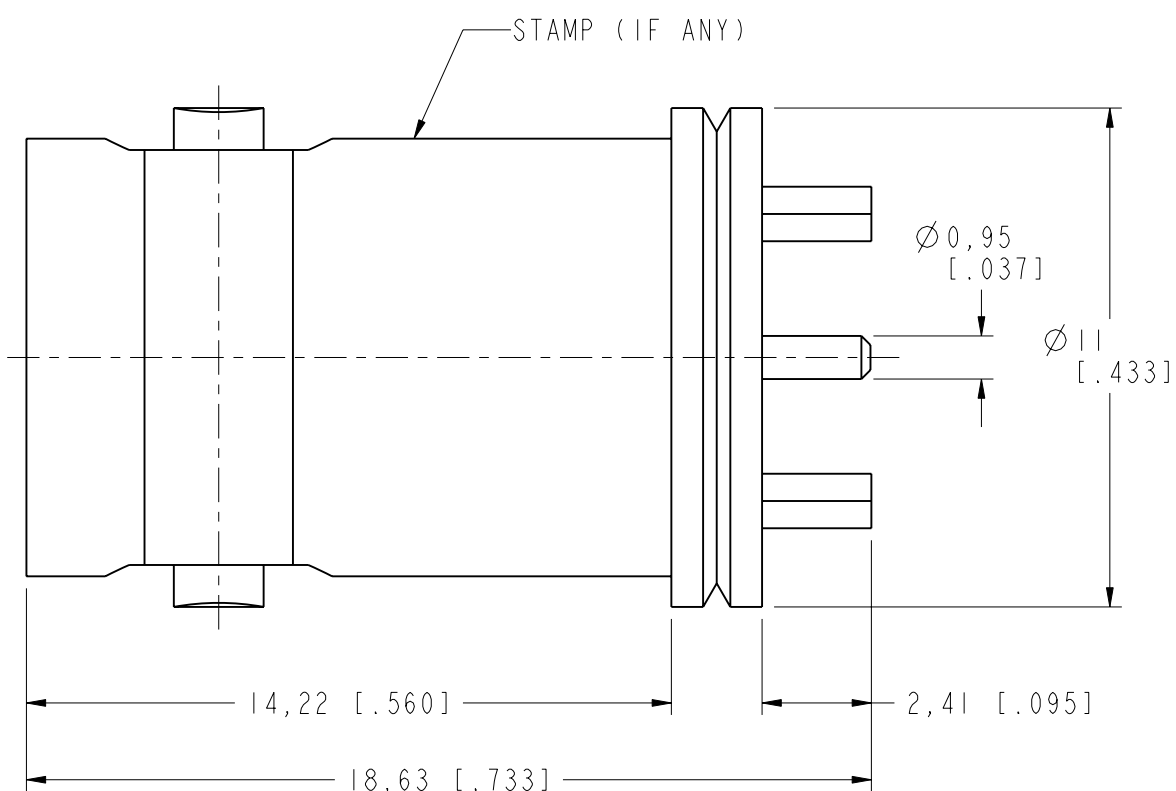
THIRD ANGLE PROJ.

REVISIONS

REV	DESCRIPTION	DATE	ECO	APPR
A	RELEASE TO MFG.	09-May-16	00643	KCE



SCALE 3.000



RECOMMENDED  
PCB MOUNTING HOLE

**CUSTOMER OUTLINE DRAWING**

ALL OTHER SHEETS ARE FOR INTERNAL USE ONLY

UNLESS OTHERWISE SPECIFIED, DIMENSIONS ARE IN METRIC AND TOLERANCES ARE: < 0.5mm ± 0.05mm    0.5 - 6mm ± 0.1mm    6 - 30mm ± 0.2mm    30 - 120mm ± 0.3mm    ANGLES ± 1°	MATERIAL	DRAWN M. ZHANG	DATE 09-May-16	TITLE 75 OHM BNC P.C.MOUNT RECEPT. JACK	Amphenol RF www.amphenolrf.com
	REFERENCE EAR# 7139	ENGINEER K. ELMES	DATE 2/25/16		
NOTICE - These drawings, specifications, or other data (1) are, and remain the property of Amphenol corp. (2) must be returned upon request; and (3) are confidential and not to be disclosed to any person other than those to whom they are given by Amphenol Corp. the furnishing of these drawings, specifications, or other data by Amphenol Corp., or to any other person to anyone for any purpose is not to be regarded by implication or otherwise in any manner licensing, granting rights to permitting such holder or any other person to manufacture, use or sell any product, process or design, patented or otherwise, that may in any way be related to or disclosed by said drawings, specifications, or other data.	CONFIGURATION LEVEL:	APPROVED H. HE	DATE 09-May-16	SCALE: 6.0:1.0	SHEET 2 OF 2
	FINISH	CAD FILE	DWG SIZE B	REV A	ITEM NO. 31-70530