

CCT	DIM A	DIM B	location for rib + slot between ccts	PACKAGING PER BOX
3	5.0	10.1	NONE	1000
4	7.5	12.6	NONE	1000
5	10.0	15.1	NONE	1000
6	12.5	17.6	NONE	500
7	15.0	20.1	3/4	500
8	17.5	22.6	4/5	500
9	20.0	25.1	4/5	500
10	22.5	27.6	5/6	500
11	25.0	30.1	5/6	250
12	27.5	32.6	6/7	250
13	30.0	35.1	6/7	250
14	32.5	37.6	4/5 10/11	250
15	35.0	40.1	4/5 11/12	250
16	37.5	42.6	5/6 11/12	250
17	40.0	45.1	5/6 12/13	250
18	42.5	47.6	5/6 13/14	250
19	45.0	50.1	6/7 13/14	250
20	47.5	52.6	6/7 14/15	250

NOTES:

- MATERIALS: POLYESTER (PBT) , UL94 V-0  
COLOUR: SEE PART NO. CHARTS FOR COLOUR
- PRODUCT SPECIFICATION PS-99020-0040

<b>DRAWING ERROR</b> EC NO: E2006-0593 DRWN:DBYRNES 2005/12/15 CHKD: 2005/12/15 APPR:BMAGUIRE 2005/12/20	QUALITY SYMBOLS	GENERAL TOLERANCES (UNLESS SPECIFIED)	SCALE 5:1	DESIGN UNITS METRIC	THIRD ANGLE PROJECTION	REVISE ON CAD ONLY															
	▽ - 0 ∇ - 0	<table border="1"> <tr><th></th><th>mm</th><th>INCH</th></tr> <tr><td>4 PLACES</td><td>± ---</td><td>± ---</td></tr> <tr><td>3 PLACES</td><td>± ---</td><td>± ---</td></tr> <tr><td>2 PLACES</td><td>± ---</td><td>± ---</td></tr> <tr><td>1 PLACE</td><td>± 0.10</td><td>± ---</td></tr> </table> ANGULAR ± 1/2°		mm	INCH	4 PLACES	± ---	± ---	3 PLACES	± ---	± ---	2 PLACES	± ---	± ---	1 PLACE	± 0.10	± ---	DIMENSION STYLE MM ONLY DRAWN BY LKIERNAN DATE 21/06/99 CHECKED BY PWHITE DATE 21/06/99 APPROVED BY MWILHITE DATE 21/06/99	TITLE APPLI-MATE 2.5 MALE GUIDE FRAME MOLEX INCORPORATED MATERIAL NO. SEE CHART DOCUMENT NO. SD-90873-001 SHEET NO. 1 OF 3		
		mm	INCH																		
	4 PLACES	± ---	± ---																		
3 PLACES	± ---	± ---																			
2 PLACES	± ---	± ---																			
1 PLACE	± 0.10	± ---																			
DRAFT WHERE APPLICABLE		THIS DRAWING CONTAINS INFORMATION THAT IS PROPRIETARY TO MOLEX INCORPORATED AND SHOULD NOT BE USED WITHOUT WRITTEN PERMISSION		A2																	
MUST REMAIN WITHIN DIMENSIONS																					

MOLEX PART NO:	CIRCUIT SIZE	COLOUR	POSITION KEYS	CONFIGURATION	REF	WITH LATCH	CONTACT PITCH
90873-0001	3	NATURAL	ALL	□□□□ ++++ 1234	K00	YES	2.5

MOLEX PART NO:	CIRCUIT SIZE	COLOUR	POSITION KEYS	CONFIGURATION	REF	WITH LATCH	CONTACT PITCH
90873-2001	7	NATURAL	ALL	□□□□□□□ ++++++ 1234567	K00	YES	2.5

MOLEX PART NO:	CIRCUIT SIZE	COLOUR	POSITION KEYS	CONFIGURATION	REF	WITH LATCH	CONTACT PITCH
90873-0501	4	NATURAL	ALL	□□□□ ++++ 1234	K00	YES	2.5

MOLEX PART NO:	CIRCUIT SIZE	COLOUR	POSITION KEYS	CONFIGURATION	REF	WITH LATCH	CONTACT PITCH
90873-2501	8	NATURAL	ALL	□□□□□□□□ ++++++ 12345678	K00	YES	2.5

MOLEX PART NO:	CIRCUIT SIZE	COLOUR	POSITION KEYS	CONFIGURATION	REF	WITH LATCH	CONTACT PITCH
90873-1001	5	NATURAL	ALL	□□□□□ +++++ 12345	K00	YES	2.5
90873-1002	5	NATURAL	c d	□□□□□ +++++ 12345	K00	YES	2.5

MOLEX PART NO:	CIRCUIT SIZE	COLOUR	POSITION KEYS	CONFIGURATION	REF	WITH LATCH	CONTACT PITCH
90873-3001	9	NATURAL	ALL	□□□□□□□□□ ++++++ 123456789	K00	YES	2.5

MOLEX PART NO:	CIRCUIT SIZE	COLOUR	POSITION KEYS	CONFIGURATION	REF	WITH LATCH	CONTACT PITCH
90873-1501	6	NATURAL	ALL	□□□□□□ +++++ 123456	K00	YES	2.5

MOLEX PART NO:	CIRCUIT SIZE	COLOUR	POSITION KEYS	CONFIGURATION	REF	WITH LATCH	CONTACT PITCH
90873-3501	10	NATURAL	ALL	□□□□□□□□□□ ++++++ 1234567890	K00	YES	2.5

SEE SHEET 1 EC NO: E2006-0593 DRWN: DBYRNES 2005/12/15 CHKD: 2005/12/15 APPR: BMAGUIRE 2005/12/20	QUALITY SYMBOLS	GENERAL TOLERANCES (UNLESS SPECIFIED)	SCALE 1:1	DESIGN UNITS METRIC	THIRD ANGLE PROJECTION	REVISE ON CAD ONLY
	▽ 0	mm INCH	4 PLACES ± --- ± ---	DIMENSION STYLE MM ONLY		TITLE
	∇ 0	4 PLACES ± --- ± ---	3 PLACES ± --- ± ---	DRAWN BY LKIERNAN	DATE 21/06/99	APPLI-MATE 2.5 MALE GUIDE FRAME
		2 PLACES ± --- ± ---	1 PLACE ± 0.10 ± ---	CHECKED BY PWHITE	DATE 21/06/99	
	ANGULAR ± 1/2°	DRAFT WHERE APPLICABLE MUST REMAIN WITHIN DIMENSIONS	APPROVED BY MWILHITE	DATE 21/06/99	MOLEX INCORPORATED MATERIAL NO. SEE CHART DOCUMENT NO. SD-90873-001 SHEET NO. 2 OF 3	
			THIS DRAWING CONTAINS INFORMATION THAT IS PROPRIETARY TO MOLEX INCORPORATED AND SHOULD NOT BE USED WITHOUT WRITTEN PERMISSION			

MOLEX PART NO:	CIRCUIT SIZE	COLOUR	POSITION KEYS	CONFIGURATION	REF	WITH LATCH	CONTACT PITCH
90873-4001	11	NATURAL	ALL	□□□□□□□□□□ +++++ 1 2 3 4 5 6 7 8 9 10 11	K00	YES	2.5

MOLEX PART NO:	CIRCUIT SIZE	COLOUR	POSITION KEYS	CONFIGURATION	REF	WITH LATCH	CONTACT PITCH
90873-6501	16	NATURAL	ALL	□□□□□□□□□□□□ +++++ 1 2 3 4 5 6 7 8 9 10 11 12 13 14 15 16	K00	YES	2.5

MOLEX PART NO:	CIRCUIT SIZE	COLOUR	POSITION KEYS	CONFIGURATION	REF	WITH LATCH	CONTACT PITCH
90873-4501	12	NATURAL	ALL	□□□□□□□□□□ +++++ 1 2 3 4 5 6 7 8 9 10 11 12	K00	YES	2.5

MOLEX PART NO:	CIRCUIT SIZE	COLOUR	POSITION KEYS	CONFIGURATION	REF	WITH LATCH	CONTACT PITCH
90873-7001	17	NATURAL	ALL	□□□□□□□□□□□□ +++++ 1 2 3 4 5 6 7 8 9 10 11 12 13 14 15 16 17	K00	YES	2.5

MOLEX PART NO:	CIRCUIT SIZE	COLOUR	POSITION KEYS	CONFIGURATION	REF	WITH LATCH	CONTACT PITCH
90873-5001	13	NATURAL	ALL	□□□□□□□□□□ +++++ 1 2 3 4 5 6 7 8 9 10 11 12 13	K00	YES	2.5

MOLEX PART NO:	CIRCUIT SIZE	COLOUR	POSITION KEYS	CONFIGURATION	REF	WITH LATCH	CONTACT PITCH
90873-7501	18	NATURAL	ALL	□□□□□□□□□□□□ +++++ 1 2 3 4 5 6 7 8 9 10 11 12 13 14 15 16 17 18	K00	YES	2.5

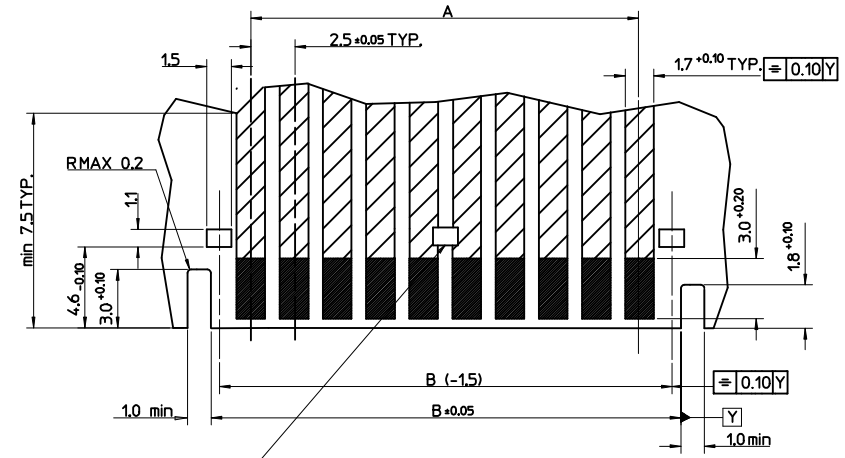
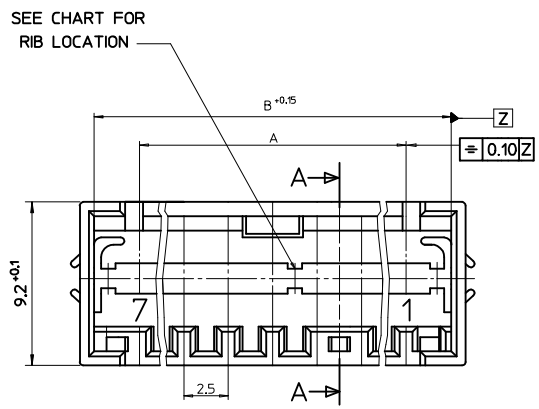
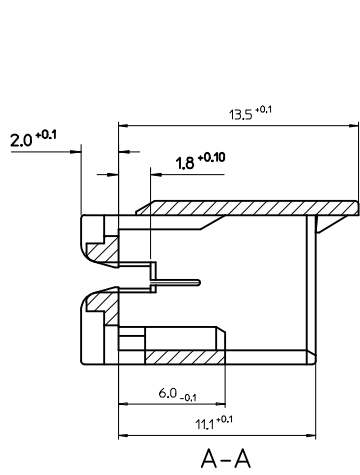
MOLEX PART NO:	CIRCUIT SIZE	COLOUR	POSITION KEYS	CONFIGURATION	REF	WITH LATCH	CONTACT PITCH
90873-5501	14	NATURAL	ALL	□□□□□□□□□□ +++++ 1 2 3 4 5 6 7 8 9 10 11 12 13 14	K00	YES	2.5

MOLEX PART NO:	CIRCUIT SIZE	COLOUR	POSITION KEYS	CONFIGURATION	REF	WITH LATCH	CONTACT PITCH
90873-8001	19	NATURAL	ALL	□□□□□□□□□□□□ +++++ 1 2 3 4 5 6 7 8 9 10 11 12 13 14 15 16 17 18 19	K00	YES	2.5

MOLEX PART NO:	CIRCUIT SIZE	COLOUR	POSITION KEYS	CONFIGURATION	REF	WITH LATCH	CONTACT PITCH
90873-6001	15	NATURAL	ALL	□□□□□□□□□□ +++++ 1 2 3 4 5 6 7 8 9 10 11 12 13 14 15	K00	YES	2.5

MOLEX PART NO:	CIRCUIT SIZE	COLOUR	POSITION KEYS	CONFIGURATION	REF	WITH LATCH	CONTACT PITCH
90873-8501	20	NATURAL	ALL	□□□□□□□□□□□□ +++++ 1 2 3 4 5 6 7 8 9 10 11 12 13 14 15 16 17 18 19 20	K00	YES	2.5

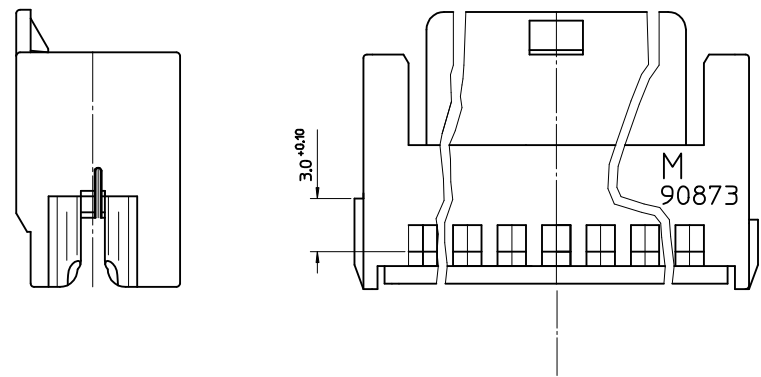
SEE SHEET 1 EC NO: E2006-0593 DRAWN: DBYRNES 2005/12/15 CHKD: 2005/12/15 APPR: BMAIGUIRE 2005/12/20 DESCRIPTION	QUALITY SYMBOLS	GENERAL TOLERANCES (UNLESS SPECIFIED) 4 PLACES ± --- ± --- 3 PLACES ± --- ± --- 2 PLACES ± --- ± --- 1 PLACE ± 0.10 ± --- ANGULAR ± 1/2° DRAFT WHERE APPLICABLE MUST REMAIN WITHIN DIMENSIONS	SCALE 1:1	DESIGN UNITS METRIC	THIRD ANGLE PROJECTION	REVISE ON CAD ONLY
	0 0		DIMENSION STYLE MM ONLY DRAWN BY LKIERNAN DATE 21/06/99 CHECKED BY PWHITE DATE 21/06/99	TITLE APPLI-MATE 2.5 MALE GUIDE FRAME		
	MATERIAL NO. SEE CHART DOCUMENT NO. SD-90873-001 SHEET NO. 3 OF 3		MOLEX INCORPORATED			
	THIS DRAWING CONTAINS INFORMATION THAT IS PROPRIETARY TO MOLEX INCORPORATED AND SHOULD NOT BE USED WITHOUT WRITTEN PERMISSION					



SEE CHART FOR SLOT LOCATION WHICH CORRESPONDS TO RIB LOCATION ON GUIDE FRAME

RECOMMENDED PCB LAYOUT NOT TO SCALE THICKNESS 1.5MM +/- 0.20 PCB MAY BE COATED ON ONE OR BOTH SIDES

CCT	DIM A	DIM B	location for rib + slot between ccts	PACKAGING PER BOX
3	5.0	10.1	NONE	1000
4	7.5	12.6	NONE	1000
5	10.0	15.1	NONE	1000
6	12.5	17.6	NONE	500
7	15.0	20.1	3/4	500
8	17.5	22.6	4/5	500
9	20.0	25.1	4/5	500
10	22.5	27.6	5/6	500
11	25.0	30.1	5/6	250
12	27.5	32.6	6/7	250
13	30.0	35.1	6/7	250
14	32.5	37.6	4/5 10/11	250
15	35.0	40.1	4/5 11/12	250
16	37.5	42.6	5/6 11/12	250
17	40.0	45.1	5/6 12/13	250
18	42.5	47.6	5/6 13/14	250
19	45.0	50.1	6/7 13/14	250
20	47.5	52.6	6/7 14/15	250



- NOTES:
- MATERIALS: POLYESTER (PBT) , UL94 V-0  
COLOUR: SEE PART NO. CHARTS FOR COLOUR
  - PRODUCT SPECIFICATION PS-99020-0040

<b>DRAWING ERROR</b> EC NO: E2006-0593 DRWN:DBYRNES 2005/12/15 CHKD: 2005/12/15 APPR:BMAGUIRE 2005/12/20	QUALITY SYMBOLS	GENERAL TOLERANCES (UNLESS SPECIFIED)	SCALE 5:1	DESIGN UNITS METRIC	THIRD ANGLE PROJECTION	REVISE ON CAD ONLY																
	▽ - 0 ∇ - 0	<table border="1"> <tr><th></th><th>mm</th><th>INCH</th></tr> <tr><td>4 PLACES</td><td>± ---</td><td>± ---</td></tr> <tr><td>3 PLACES</td><td>± ---</td><td>± ---</td></tr> <tr><td>2 PLACES</td><td>± ---</td><td>± ---</td></tr> <tr><td>1 PLACE</td><td>± 0.10</td><td>± ---</td></tr> </table> ANGULAR ± 1/2°		mm	INCH	4 PLACES	± ---	± ---	3 PLACES	± ---	± ---	2 PLACES	± ---	± ---	1 PLACE	± 0.10	± ---	DIMENSION STYLE MM ONLY	TITLE	APPLI-MATE 2.5 MALE GUIDE FRAME		
		mm	INCH																			
	4 PLACES	± ---	± ---																			
3 PLACES	± ---	± ---																				
2 PLACES	± ---	± ---																				
1 PLACE	± 0.10	± ---																				
DRAFT WHERE APPLICABLE	APPROVED BY MWILHITE	CHECKED BY PWHITE	DATE 21/06/99	MATERIAL NO. SEE CHART																		
MUST REMAIN WITHIN DIMENSIONS	DATE 21/06/99	DATE 21/06/99	DATE 21/06/99	DOCUMENT NO. SD-90873-001																		
THIS DRAWING CONTAINS INFORMATION THAT IS PROPRIETARY TO MOLEX INCORPORATED AND SHOULD NOT BE USED WITHOUT WRITTEN PERMISSION				SHEET NO. 1 OF 3																		

MOLEX PART NO:	CIRCUIT SIZE	COLOUR	POSITION KEYS	CONFIGURATION	REF	WITH LATCH	CONTACT PITCH
90873-0001	3	NATURAL	ALL	□□□□ ++++ 123	K00	YES	2.5

MOLEX PART NO:	CIRCUIT SIZE	COLOUR	POSITION KEYS	CONFIGURATION	REF	WITH LATCH	CONTACT PITCH
90873-2001	7	NATURAL	ALL	□□□□□□□ +++++++ 1234567	K00	YES	2.5

MOLEX PART NO:	CIRCUIT SIZE	COLOUR	POSITION KEYS	CONFIGURATION	REF	WITH LATCH	CONTACT PITCH
90873-0501	4	NATURAL	ALL	□□□□ ++++ 1234	K00	YES	2.5

MOLEX PART NO:	CIRCUIT SIZE	COLOUR	POSITION KEYS	CONFIGURATION	REF	WITH LATCH	CONTACT PITCH
90873-2501	8	NATURAL	ALL	□□□□□□□□ +++++++ 12345678	K00	YES	2.5

MOLEX PART NO:	CIRCUIT SIZE	COLOUR	POSITION KEYS	CONFIGURATION	REF	WITH LATCH	CONTACT PITCH
90873-1001	5	NATURAL	ALL	□□□□□ +++++ 12345	K00	YES	2.5
90873-1002	5	NATURAL	c d	□□□□□ +++++ 12345	K00	YES	2.5

MOLEX PART NO:	CIRCUIT SIZE	COLOUR	POSITION KEYS	CONFIGURATION	REF	WITH LATCH	CONTACT PITCH
90873-3001	9	NATURAL	ALL	□□□□□□□□□ +++++++ 123456789	K00	YES	2.5

MOLEX PART NO:	CIRCUIT SIZE	COLOUR	POSITION KEYS	CONFIGURATION	REF	WITH LATCH	CONTACT PITCH
90873-1501	6	NATURAL	ALL	□□□□□□ +++++ 123456	K00	YES	2.5

MOLEX PART NO:	CIRCUIT SIZE	COLOUR	POSITION KEYS	CONFIGURATION	REF	WITH LATCH	CONTACT PITCH
90873-3501	10	NATURAL	ALL	□□□□□□□□□□ +++++++ 1234567890	K00	YES	2.5

SEE SHEET 1 EC NO: E2006-0593 DRWN: DBYRNES 2005/12/15 CHKD: 2005/12/15 APPR: BMAGUIRE 2005/12/20	QUALITY SYMBOLS	GENERAL TOLERANCES (UNLESS SPECIFIED)	SCALE 1:1	DESIGN UNITS METRIC	THIRD ANGLE PROJECTION	REVISE ON CAD ONLY	
	▽ 0	mm INCH	DIMENSION STYLE MM ONLY	TITLE APPLI-MATE 2.5 MALE GUIDE FRAME			
	∇ 0	4 PLACES ± --- ± --- 3 PLACES ± --- ± --- 2 PLACES ± --- ± --- 1 PLACE ± 0.10 ± ---	DRAWN BY DATE LKIERNAN 21/06/99	MATERIAL NO. DOCUMENT NO. SHEET NO. SEE CHART SD-90873-001 2 OF 3			
		ANGULAR ± 1/2°	CHECKED BY DATE PWHITE 21/06/99	MOLEX INCORPORATED			
	DRAFT WHERE APPLICABLE MUST REMAIN WITHIN DIMENSIONS	APPROVED BY DATE MWILHITE 21/06/99	THIS DRAWING CONTAINS INFORMATION THAT IS PROPRIETARY TO MOLEX INCORPORATED AND SHOULD NOT BE USED WITHOUT WRITTEN PERMISSION				

MOLEX PART NO:	CIRCUIT SIZE	COLOUR	POSITION KEYS	CONFIGURATION	REF	WITH LATCH	CONTACT PITCH
90873-4001	11	NATURAL	ALL	□□□□□□□□□□ +++++ 1 2 3 4 5 6 7 8 9 10 11	K00	YES	2.5

MOLEX PART NO:	CIRCUIT SIZE	COLOUR	POSITION KEYS	CONFIGURATION	REF	WITH LATCH	CONTACT PITCH
90873-6501	16	NATURAL	ALL	□□□□□□□□□□□□□□ +++++ 1 2 3 4 5 6 7 8 9 10 11 12 13 14 15 16	K00	YES	2.5

MOLEX PART NO:	CIRCUIT SIZE	COLOUR	POSITION KEYS	CONFIGURATION	REF	WITH LATCH	CONTACT PITCH
90873-4501	12	NATURAL	ALL	□□□□□□□□□□ +++++ 1 2 3 4 5 6 7 8 9 10 11 12	K00	YES	2.5

MOLEX PART NO:	CIRCUIT SIZE	COLOUR	POSITION KEYS	CONFIGURATION	REF	WITH LATCH	CONTACT PITCH
90873-7001	17	NATURAL	ALL	□□□□□□□□□□□□□□ +++++ 1 2 3 4 5 6 7 8 9 10 11 12 13 14 15 16 17	K00	YES	2.5

MOLEX PART NO:	CIRCUIT SIZE	COLOUR	POSITION KEYS	CONFIGURATION	REF	WITH LATCH	CONTACT PITCH
90873-5001	13	NATURAL	ALL	□□□□□□□□□□ +++++ 1 2 3 4 5 6 7 8 9 10 11 12 13	K00	YES	2.5

MOLEX PART NO:	CIRCUIT SIZE	COLOUR	POSITION KEYS	CONFIGURATION	REF	WITH LATCH	CONTACT PITCH
90873-7501	18	NATURAL	ALL	□□□□□□□□□□□□□□ +++++ 1 2 3 4 5 6 7 8 9 10 11 12 13 14 15 16 17 18	K00	YES	2.5

MOLEX PART NO:	CIRCUIT SIZE	COLOUR	POSITION KEYS	CONFIGURATION	REF	WITH LATCH	CONTACT PITCH
90873-5501	14	NATURAL	ALL	□□□□□□□□□□ +++++ 1 2 3 4 5 6 7 8 9 10 11 12 13 14	K00	YES	2.5

MOLEX PART NO:	CIRCUIT SIZE	COLOUR	POSITION KEYS	CONFIGURATION	REF	WITH LATCH	CONTACT PITCH
90873-8001	19	NATURAL	ALL	□□□□□□□□□□□□□□ +++++ 1 2 3 4 5 6 7 8 9 10 11 12 13 14 15 16 17 18 19	K00	YES	2.5

MOLEX PART NO:	CIRCUIT SIZE	COLOUR	POSITION KEYS	CONFIGURATION	REF	WITH LATCH	CONTACT PITCH
90873-6001	15	NATURAL	ALL	□□□□□□□□□□ +++++ 1 2 3 4 5 6 7 8 9 10 11 12 13 14 15	K00	YES	2.5

MOLEX PART NO:	CIRCUIT SIZE	COLOUR	POSITION KEYS	CONFIGURATION	REF	WITH LATCH	CONTACT PITCH
90873-8501	20	NATURAL	ALL	□□□□□□□□□□□□□□ +++++ 1 2 3 4 5 6 7 8 9 10 11 12 13 14 15 16 17 18 19 20	K00	YES	2.5

SEE SHEET 1 EC NO: E2006-0593 DRAWN: DBYRNES 2005/12/15 CHKD: 2005/12/15 APPR: BMAIGUIRE 2005/12/20 DESCRIPTION	QUALITY SYMBOLS	GENERAL TOLERANCES (UNLESS SPECIFIED) 4 PLACES ± --- ± --- 3 PLACES ± --- ± --- 2 PLACES ± --- ± --- 1 PLACE ± 0.10 ± --- ANGULAR ± 1/2° DRAFT WHERE APPLICABLE MUST REMAIN WITHIN DIMENSIONS	SCALE 1:1	DESIGN UNITS METRIC	THIRD ANGLE PROJECTION	REVISE ON CAD ONLY
	0 0		DIMENSION STYLE MM ONLY DRAWN BY LKIERNAN DATE 21/06/99 CHECKED BY PWHITE DATE 21/06/99	TITLE APPLI-MATE 2.5 MALE GUIDE FRAME		
	MATERIAL NO. SEE CHART DOCUMENT NO. SD-90873-001 SHEET NO. 3 OF 3		MOLEX INCORPORATED			
	THIS DRAWING CONTAINS INFORMATION THAT IS PROPRIETARY TO MOLEX INCORPORATED AND SHOULD NOT BE USED WITHOUT WRITTEN PERMISSION					