

D X X S 3 3 E 6 X X 0 9 L F

SEE NOTE RoHS

SERIES

NO.OF CONTACTS

09,15,25,37

TYPE OF CONTACTS

S-SOCKET

TYPE OF TERMINATION

33-ANGLED SPILL

PITCH 2.84 USA

FOOT PRINT 8.08 USA

HEIGHT OF TERMINATION

E-2.00mm COMPATIBLE FOR 1.6mm PCB

RoHS INFORMATIONS

"This LF product meets European Union Directives and other country regulations as described in GS-22-008"

The housing will withstand exposure to 260°C peak temperature for 30 seconds in a convection,infra-red or vapor reflow oven solder application.

Packaging as per GS-14-920

PRODUCT SPECIFICATION

See :- GS-12-433

PACKAGING SPECIFICATION

See :- GS-14-1157

PACKAGING SPECIFICATION

09- TRAY PACKAGING

MOUNTING OPTIONS

RV->LIF METAL PEG +F.SCREW LOCK UNC 4 40+METAL BRACKET

RL->LIF METAL PEG+ INSERT M3+METAL BRACKET

RX->LIF METAL PEG + INSERT UNC 4-40 +METAL BRACKET

PLATING

6->500 Mating/Un-mating performance  
4->200 Mating/Un-mating performance

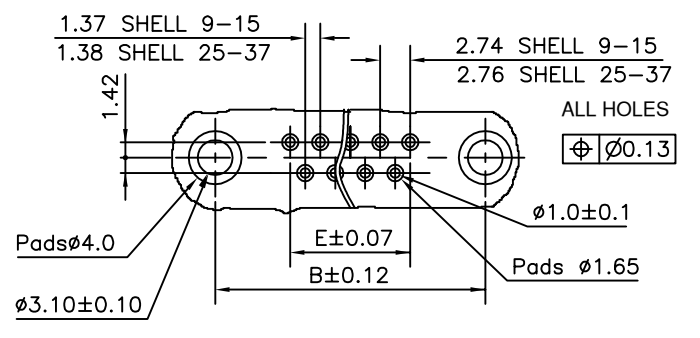
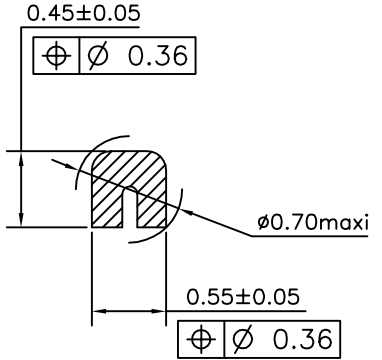
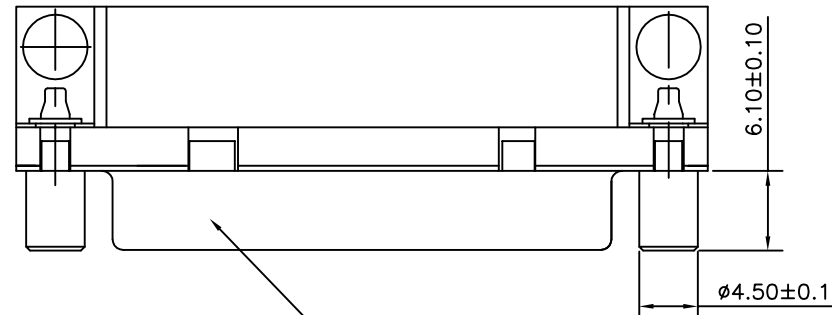


FCIconnect.com

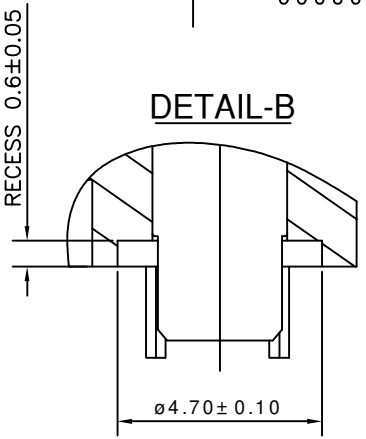
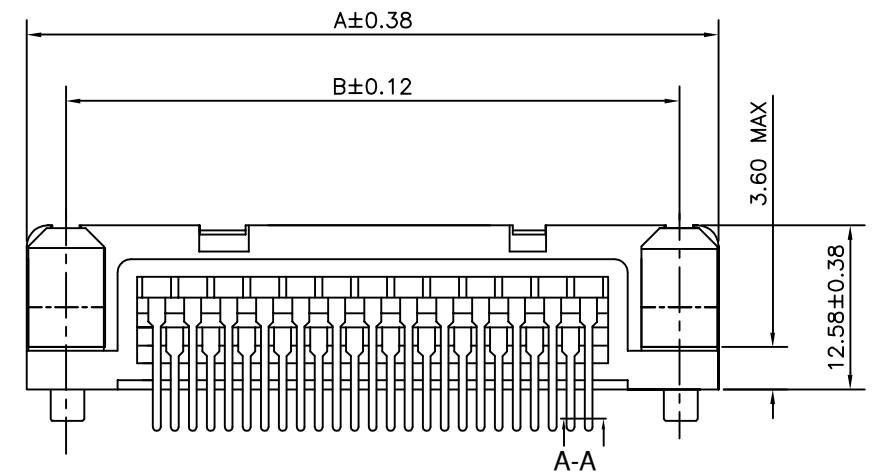
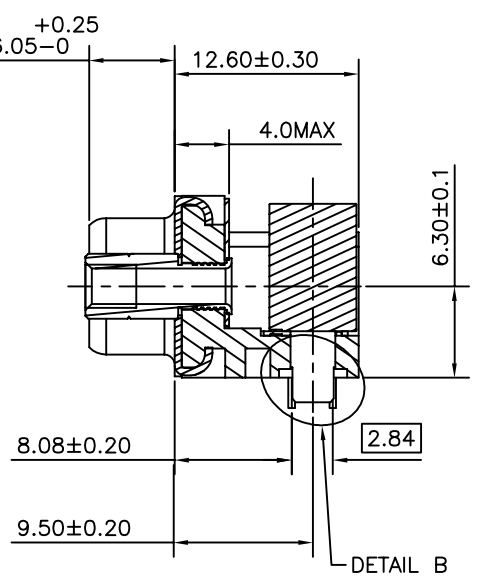
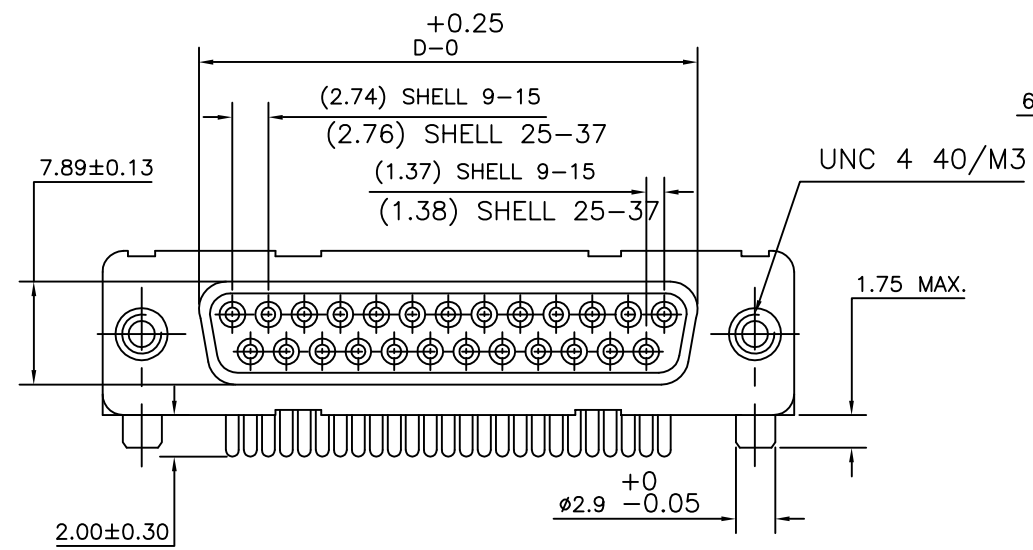
Copyright FCI

mat'l. code SEE.TECH.SPEC				surface ISO 1302 <input checked="" type="checkbox"/>		tolerance ISO 406 ISO 1101		projection 		product family DELTA-D			
ltr				ecn no		dr		date		tolerances unless otherwise specified		title	
A				107-0038		GWJ		07-03-16		angles		DELTA-D A/S FEMALE PIP CONNECTOR	
B				108-0175		AS		09-01-14		linear		US VERSION	
C				109-0162		AS		2009-08-13		0°±1°		MM	
										.00±0.1		scale -	
										.000±.00X		MM	
										dr		ANSHSALAM 2007-12-04	
										engr		ANSHSALAM 2009-08-13	
										chr		ANSHSALAM 2009-08-13	
										appd		ANSHSALAM 2009-08-13	
sheet index		revision sheet		c		c						dwg no	
1		1		1		2						sheet 1 of 2	
												size	
												A3	
												type	
												Product Customer Drawing	

37	69.32	63.50	54.71	49.68
25	53.03	47.04	38.25	33.12
15	39.14	33.32	24.54	19.18
09	30.81	24.99	16.21	10.96
SHELL	A	B	D	E



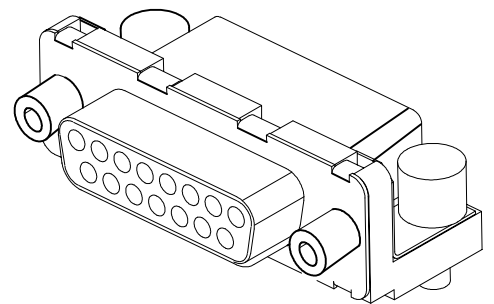
SECTION A - A



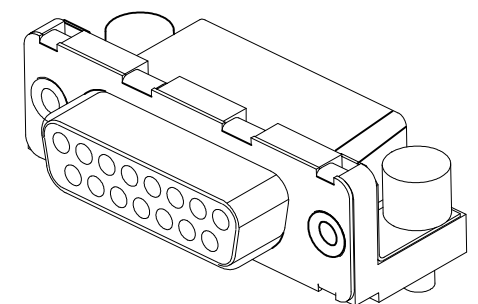
ACCESSORIES DETAILS

TRUE POSITIONING : Ø 0.36

RV VERSION



RX/RL VERSION



mat'l. code		surface		tolerance		projection		product family	
SEE.TECH.SPEC		ISO 1302		ISO 406 ISO 1101		MM		DELTA-D	
ltr		ecn no		date		tolerances unless otherwise specified		title	
A		I07-0167		AS 2007-12-04		angles linear		DELTA-D A/S FEMALE PIP CONNECTOR	
B		I08-0175		AS 2009-01-14		0°±1°		US VERSION	
C		I09-0162		AS 2009-08-13		.000±.00X		dwg no	
				dr ANSHSALAM		2007-12-04		sheet 2 of 2	
				enr ANSHSALAM		2009-08-13		size	
				chr ANSHSALAM		2009-08-13		A3	
				appd ANSHSALAM		2009-08-13		type	
								Product Customer Drawing	
sheet index		revision sheet		C C					
				1 2					



FCI  
FCIconnect.com

Copyright FCI