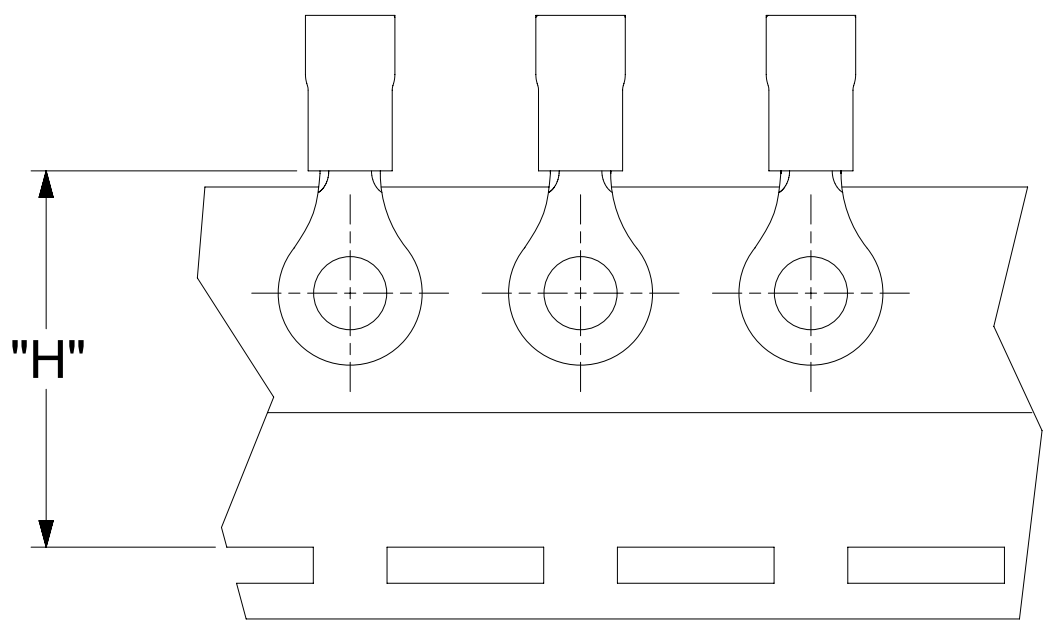
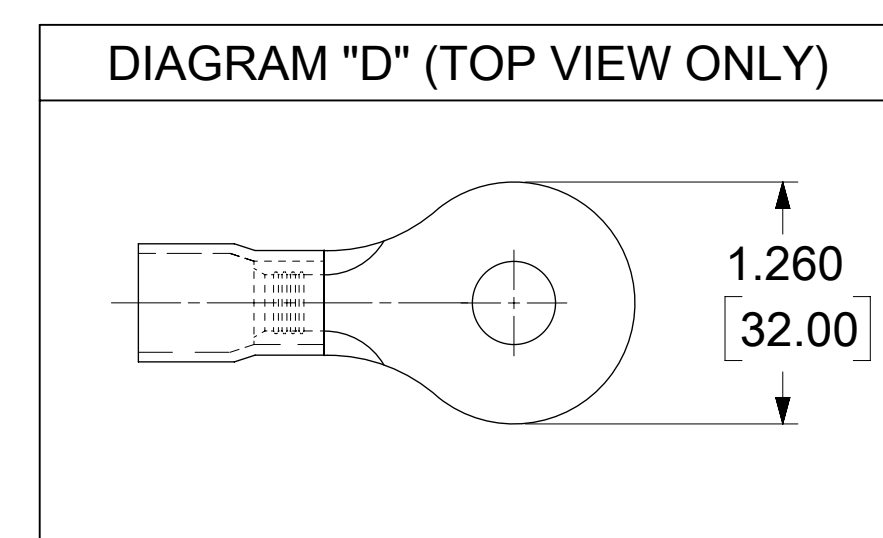
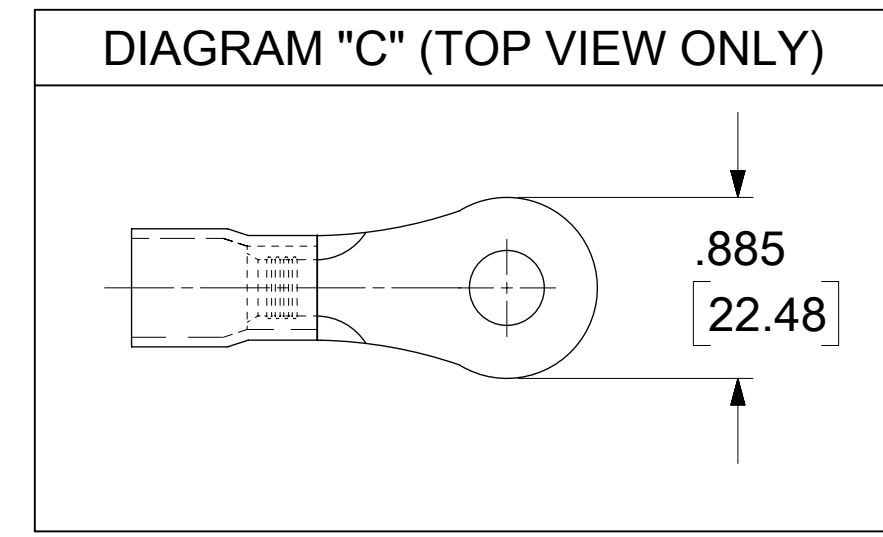
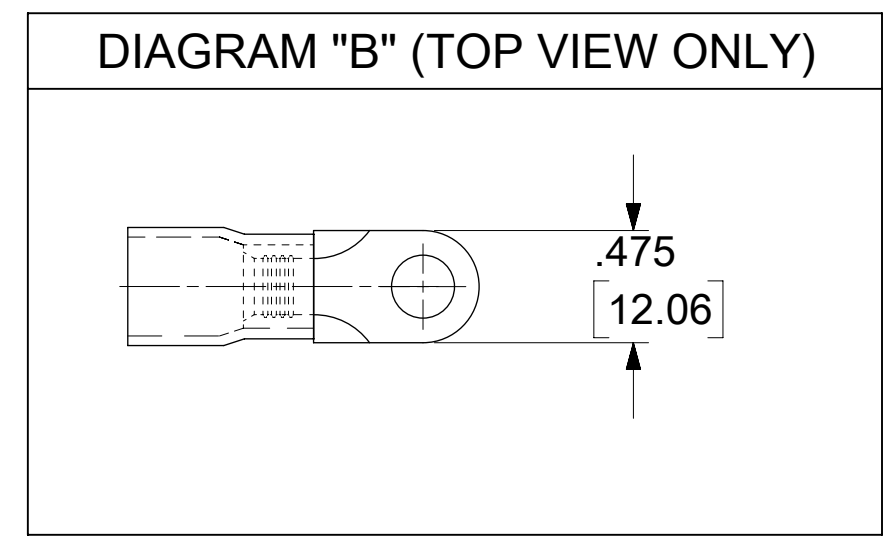
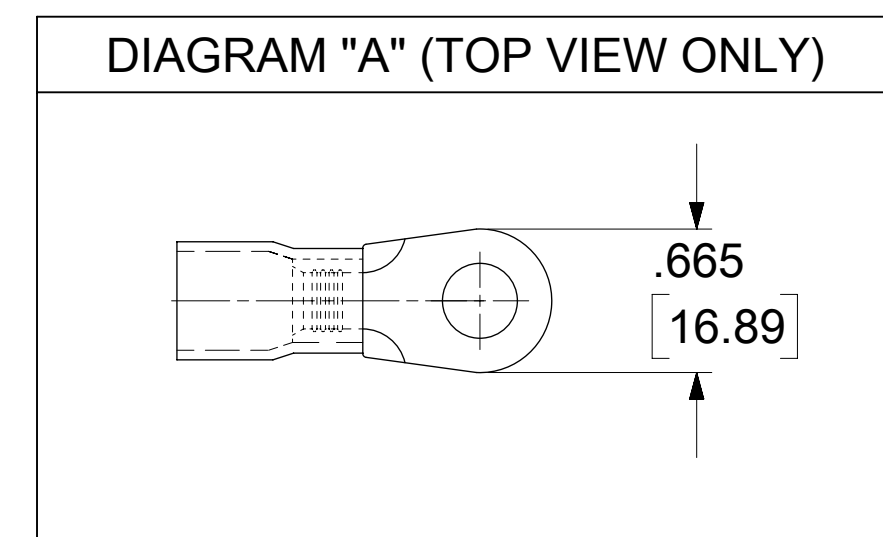
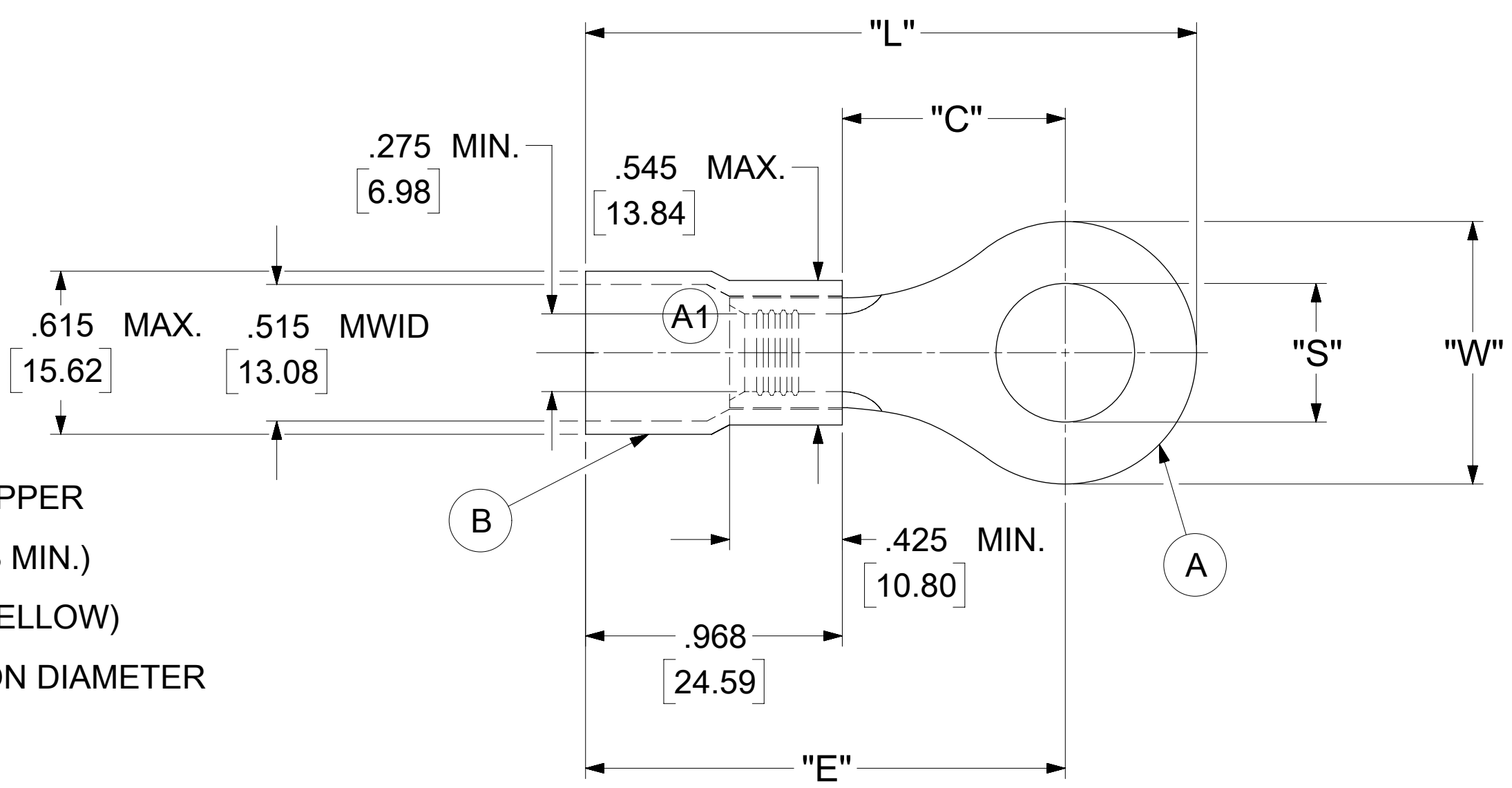


LOOSE PIECE		TAPE MOUNTED		SPECIFICATIONS								
MATERIAL NUMBER	ENGINEERING NUMBER	MATERIAL NUMBER	ENGINEERING NUMBER	STUD SIZE	"S" ±.005 [0.13]	"W" ±.010 [0.25]	"C" MIN.	"E" MAX.	"L" MAX.	"H"	STOCK THK (REF) (A1)	DIAGRAM
190710231	F-666-10X	---	---	10	.198 [5.03]	.665 [16.89]	.520 [13.21]	1.534 [38.96]	1.846 [46.89]	1.200 [30.48]	.067 [1.70]	"A"
190710234	F-666-12X	---	---	12	.515 [13.08]							
190710237	F-666-14X	---	---	14	.265 [6.73]							
190710240	F-666-38X	190710379	F-666-38XT	38	.390 [9.91]							
190710243	F-666-56X	190710246	F-666-56X	56	.328 [8.33]							
190710247	F-666-76X	---	---	76	.453 [11.51]							
190710250	F-667-10X	190710252	F-667-10XT	10	.198 [5.03]	.475 [12.07]	.520 [13.21]	1.534 [38.96]	1.756 [44.60]	1.200 [30.48]	.067 [1.70]	"B"
190710253	F-667-14X	190710254	F-667-14XT	14	.265 [6.73]							
---	---	---	---	56	.328 [8.33]							
---	---	---	---	12	.515 [13.08]	.885 [22.48]	.989 [25.12]	2.003 [50.88]	2.412 [61.27]	---	.075 [1.91]	"C"
---	---	---	---	14	.265 [6.73]							
---	---	---	---	38	.390 [9.91]							
---	---	---	---	56	.328 [8.33]							
---	---	---	---	58	.656 [16.67]							
---	---	---	---	76	.453 [11.51]							
---	---	---	---	12	.515 [13.08]	1.260 [32.00]	.989 [25.12]	2.003 [50.88]	2.599 [66.01]	---	.075 [1.91]	"D"
---	---	---	---	14	.265 [6.73]							
---	---	---	---	34	.781 [19.84]							
---	---	---	---	38	.390 [9.91]							
---	---	---	---	56	.328 [8.33]							
190710270	F-670-58X	---	---	58	.656 [16.67]	---	---	---	---	---	---	---
---	---	---	---	76	.453 [11.51]							



PARTS ON TAPE



- NOTES:
- MATERIAL:
    - (A). RING TONGUE TERMINAL: COPPER
    - PLATING: ELECTRO-TIN (.0003 MIN.)
    - (B). INSULATION: MOLDED PVC (YELLOW)
  - MWID: MAXIMUM WIRE INSULATION DIAMETER
  - WIRE SIZE: 4 AWG  
25 MM<sup>2</sup>
  - "UL" LISTING #E32244  
"CSA" LISTING #18689
  - ALL DIMENSIONS IN INCHES/[MM].
  - PARTS ARE RoHS COMPLIANT.
  - DIMS. SHOWN ARE FOR REFERENCE ONLY.

SYMBOLS	THIS DRAWING CONTAINS INFORMATION THAT IS PROPRIETARY TO MOLEX ELECTRONIC TECHNOLOGIES, LLC AND SHOULD NOT BE USED WITHOUT WRITTEN PERMISSION		
	DIMENSION UNITS	SCALE	CURRENT REV DESC: DWG ERROR. FIXED INSUL. PROFILE
▽ = 0	INCH/MM	NTS	EC NO: 647871 DRWN: DMYRICK 2020/10/27 CHK'D: KBURROUGHS 2020/10/27 APPR: KBURROUGHS 2020/10/27
▽ = 0	GENERAL TOLERANCES (UNLESS SPECIFIED)		
▽ = 0		MM	INCH
▽ = 0	4 PLACES	±	±
▽ = 0	3 PLACES	±	± 0.005
▽ = 0	2 PLACES	±	± 0.13 ± 0.01
▽ = 0	1 PLACE	±	± 0.25 ±
▽ = 0	0 PLACES	±	±
▽ = 0	ANGULAR TOL	±	°
▽ = 0	DRAFT WHERE APPLICABLE MUST REMAIN WITHIN DIMENSIONS	THIRD ANGLE PROJECTION	DRAWING SERIES
▽ = 0			D-SIZE 19071
DOCUMENT NUMBER		DOC TYPE	DOC PART
190710231		PSD	000
REVISION		A1	
MATERIAL NUMBER	CUSTOMER	SHEET NUMBER	
SEE TABLE	GENERAL MARKET	1 OF 1	